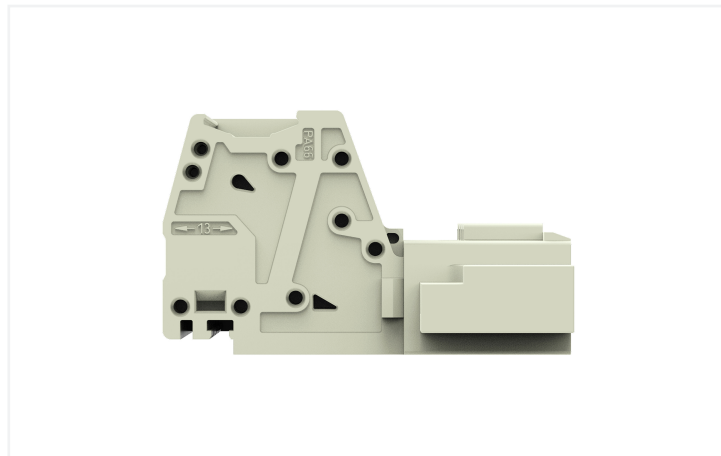
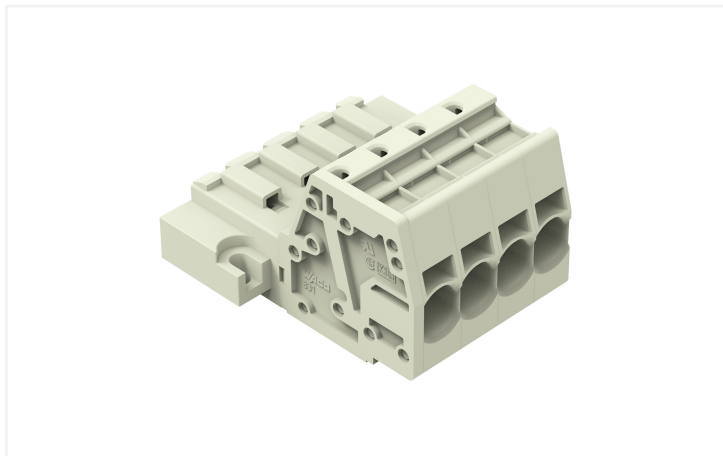


Data Sheet | Item Number: 831-3204/109-000

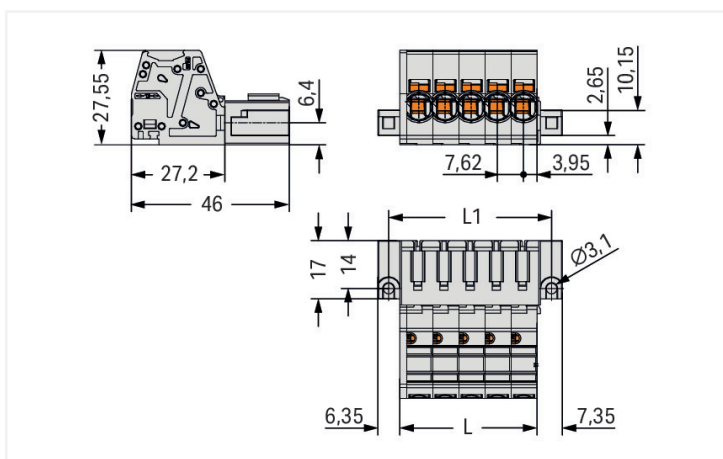
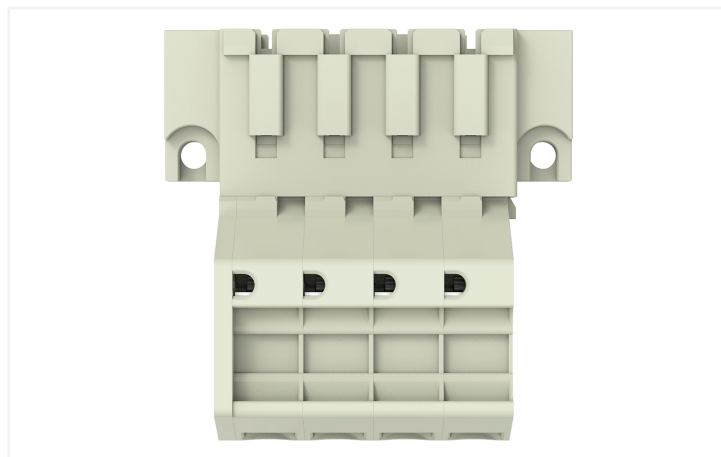
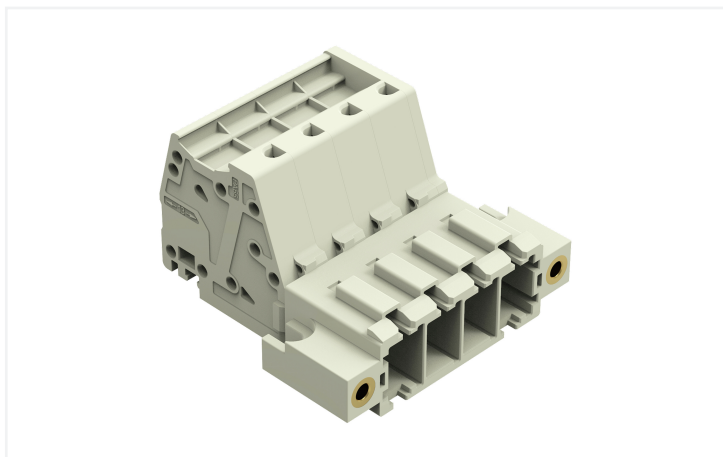
1-conductor male connector; Push-in CAGE CLAMP®; 10 mm²; Pin spacing 7.62 mm; 4-pole; 100% protected against mismatching; Threaded flange; 10,00 mm²; light gray



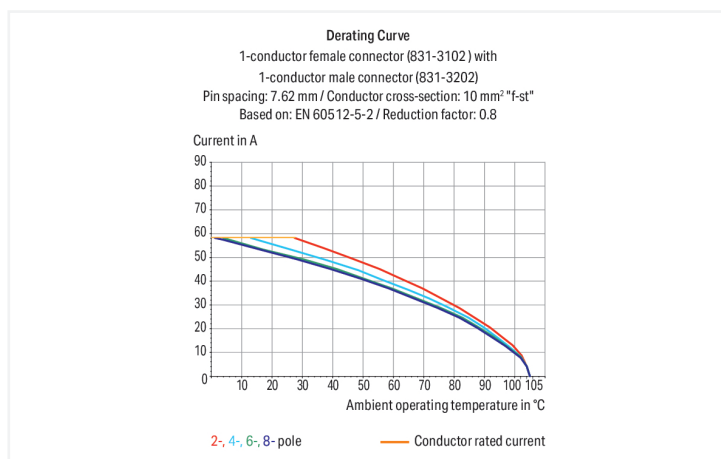
<https://www.wago.com/831-3204/109-000>



Color: ■ light gray



Dimensions in mm
 L = pole no. x pin spacing + 1.9 mm
 L1 = L + 7.5 mm



Stiftleiste Serie 831 mit Rastermaß 7,62 mm

Bei dieser Stiftleiste (Artikelnummer 831-3204/109-000) ist eine fehlerfreie Elektroinstallation das Hauptaugenmerk. Setzen Sie beim Design-In Ihres Gerätes auf erprobte Sicherheit: Mit Leiterplatten-Steckverbindern erhalten Sie verschiedene Verwendungsmöglichkeiten. Für den Leiteranschluss werden bei dieser Stiftleiste Abisolierlängen von 13 bis 15 mm benötigt. Dieses Produkt basiert auf der Push-in CAGE CLAMP®-Technologie. Mit der Push-in CAGE CLAMP® Anschlusstechnik wird der Anschluss aller Leiterarten perfekt. Durch den Zusatznutzen des direkten Steckens können Leiter mit ausreichender Knicksteifigkeit sowie feindrähtige Leiter mit Aderendhülse ohne Werkzeug gesteckt werden. In Breite x Höhe x Tiefe betragen die Maße (46,1 x 27,6 x 46) mm. Diese Stiftleiste ist in Abhängigkeit von der Leiterart für Leiterquerschnitte von 0,5 mm² bis 10 mm² geeignet. Für die Oberfläche der Kontakte wurde Zinn verwendet. Für diese Stiftleiste/Stecker erfolgt die Betätigung per Betätigungswerkzeug. Das "Multi Connection System" – MCS von WAGO ist das vielfältige Steckverbindersystem mit überzeugenden Lösungen für Ihre Anwendungen.

Notes

Safety Information

The MCS – MULTI CONNECTION SYSTEM includes connectors without breaking capacity in accordance with DIN EN 61984. When used as intended, these connectors must not be connected/disconnected when live or under load. When used as intended, these connectors must not be connected/disconnected when live or under load. The circuit design should ensure header pins, which can be touched, are not live when unmated.

Variants:

Other pole numbers

Other versions (or variants) can be requested from WAGO Sales or configured at <https://configurator.wago.com/>.

Electrical data

Ratings per	IEC/EN 60664-1		
	III	III	II
Overvoltage category	III	III	II
Pollution degree	3	2	2
Nominal voltage	800 V	1000 V	1000 V
Rated impulse withstand voltage	8 kV	8 kV	8 kV
Rated current	41 A	41 A	41 A

Approvals per	UL 1059		
	B	C	D
Use group	B	C	D
Rated voltage	-	600 V	-
Rated current	-	42 A	-

Approvals per	CSA		
	B	C	D
Use group	B	C	D
Rated voltage	-	600 V	-
Rated current	-	41 A	-

Connection data

Clamping units	4
Total number of potentials	4
Number of connection types	1
Number of levels	1

Connection 1	
Connection technology	Push-in CAGE CLAMP®
Actuation type	Operating tool
Actuation direction 1	Operation parallel to conductor entry
Solid conductor	0.5 ... 10 mm ² / 20 ... 8 AWG
Fine-stranded conductor	0.5 ... 10 mm ² / 20 ... 8 AWG
Fine-stranded conductor; with insulated ferrule	0.5 ... 6 mm ²
Fine-stranded conductor; with uninsulated ferrule	0.5 ... 6 mm ²
Strip length	13 ... 15 mm / 0.51 ... 0.59 inches
Pole number	4
Conductor entry direction to mating direction	0°

Physical data

Pin spacing	7.62 mm / 0.3 inches
Width	46.1 mm / 1.814 inches
Height	27.6 mm / 1.087 inches
Depth	46 mm / 1.811 inches

Mechanical data

Variable coding	Yes
Anti-rotation protection	Yes

Plug-in connection

Contact type (pluggable connector)	Male connector/plug
Connector (connection type)	for conductor
Mismating protection	Yes
Locking of plug-in connection	Threaded flange

Material data

Note (material data)	Information on material specifications can be found here
Color	light gray
Material group	I
Insulation material (main housing)	Polyamide (PA66)
Flammability class per UL94	V0
Clamping spring material	Chrome-nickel spring steel (CrNi)
Contact material	Electrolytic copper (E _{Cu})
Contact Plating	Tin
Fire load	0.537 MJ
Weight	29.8 g

Environmental requirements

Limit temperature range	-60 ... +105 °C
Processing temperature	-35 ... +60 °C

Commercial data

PU (SPU)	24 pcs
Packaging type	Box
Country of origin	PL
GTIN	4066966091632
Customs tariff number	85366930000

Product Classification

UNSPSC	39121409
ETIM 9.0	EC001284
ETIM 8.0	EC001284
ECCN	NO US CLASSIFICATION

Environmental Product Compliance

CAS-No.	7439-92-1
REACH Candidate List Substance	Lead
RoHS Compliance Status	Compliant, No Exemption
SCIP notification number (Austria)	906f1a4e-adb6-4271-a8e2-cb2cb9f101f9
SCIP notification number (Belgium)	dcabc5b2-b643-443c-b2ad-0ce99c7b1fd3
SCIP notification number (Bulgaria)	d53f7f97-4c90-4593-986f-af7da9cf9f0e
SCIP notification number (Czech Republic)	a82a5814-d911-4ba1-8dbd-9f457d551230
SCIP notification number (Denmark)	2edf4219-76b2-4632-8f03-78b3877f4d13
SCIP notification number (Finland)	fe2c570d-9506-4a3a-8fba-854c2cbd9e28
SCIP notification number (France)	fec42b08-98a0-4fac-92a6-b4d0a2c5a405
SCIP notification number (Germany)	c78e6834-7420-4b9f-a852-b4c10e87efbd
SCIP notification number (Hungary)	0cbe2332-9783-40cd-a34b-e8646f6f1d6f
SCIP notification number (Italy)	03e02a25-08f2-4771-8b4b-1383731c4a0e
SCIP notification number (Netherlands)	755315e0-9463-463c-84b8-3680c6c6927e
SCIP notification number (Poland)	ab7a2e7e-6550-4c2d-8e88-b9f271c7d5c2
SCIP notification number (Romania)	1ba1f8ec-01fe-4183-b6e6-3bc70aa58f9f
SCIP notification number (Sweden)	1dd7bcd8-84fa-4bce-a9c3-76d83da30f3f

Approvals / Certificates

General approvals



Approval	Standard	Certificate Name
CB DEKRA Certification B.V.	IEC 61984	NL-61360/M1
KEMA/KEUR DEKRA Certification B.V.	EN 61984	71-116057
UR Underwriters Laboratories Inc.	UL 1059	UL-US-2426356-0

Downloads

Environmental Product Compliance

Compliance Search	
Environmental Product Compliance 831-3204/109-000	↓

Documentation

Additional Information			
Technical Section	03.04.2019	pdf 2027.26 KB	↓

CAD/CAE-Data

CAD data

2D/3D Models
831-3204/109-000



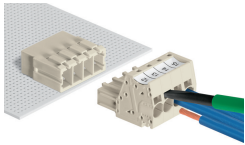
CAE data

ZUKEN Portal
831-3204/109-000

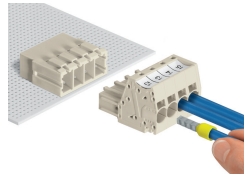


Installation Notes

Conductor termination

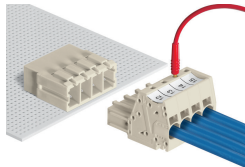


Inserting fine-stranded conductors via (5.5 x 0.8) mm screwdriver.



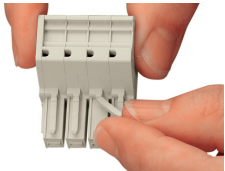
Solid and ferruled conductors are terminated by simply pushing them into unit.

Testing

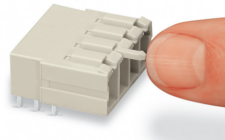


Testing with 2 mm Ø test plug.

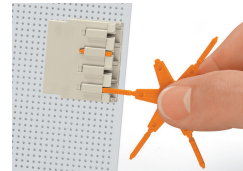
Coding



Break or cut off coding pin from female connector.



Insert coding pin into male header (break first) until it engages.



Coding a THT male header by inserting a coding pin.

Marking



Direct marking of female and male connectors



MCS MAXI male and female connectors can also be marked via Mini-WSB or WMB markers.