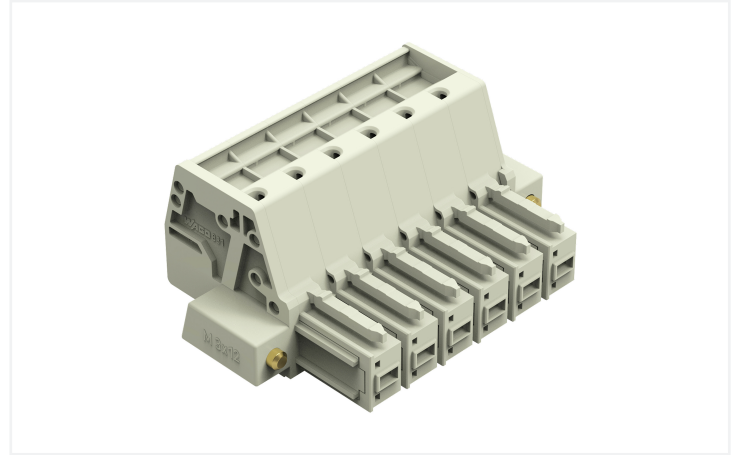
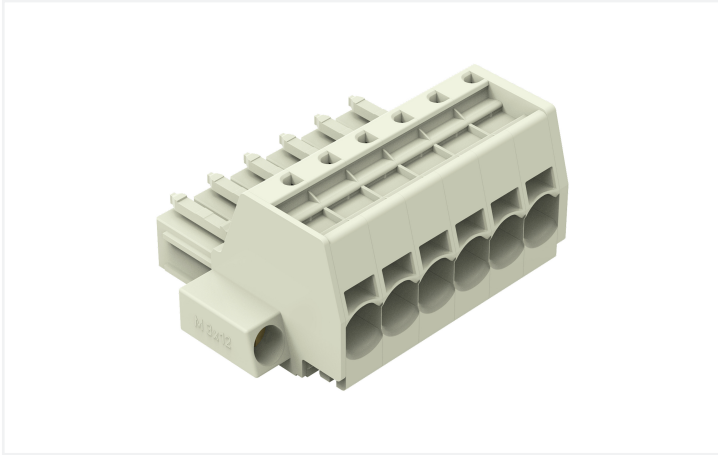


Data Sheet | Item Number: 831-3106/107-000

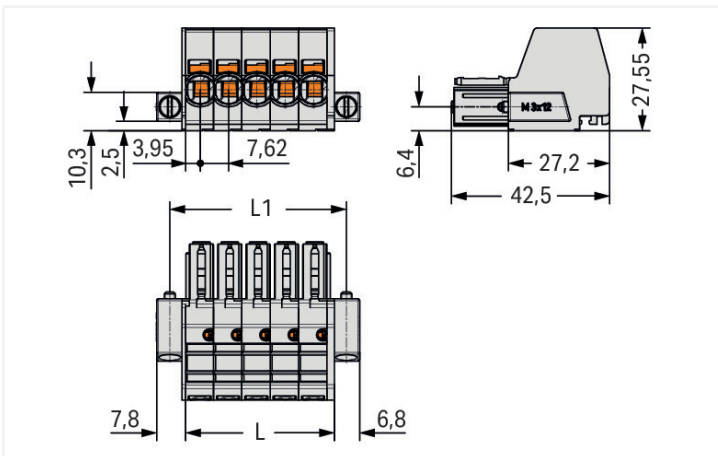
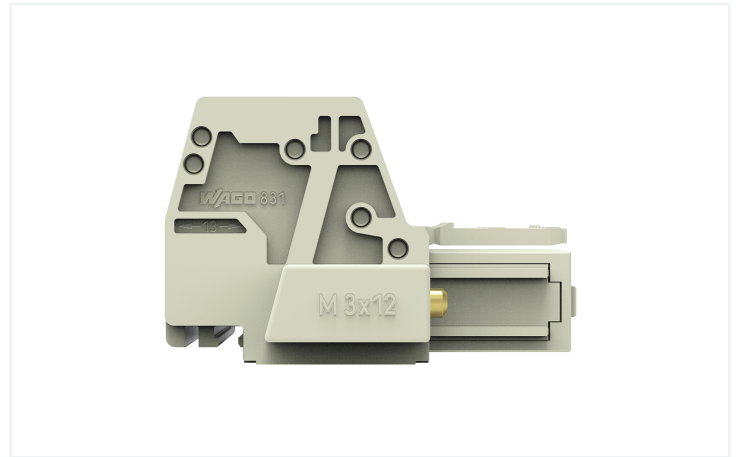
1-conductor female connector; Push-in CAGE CLAMP®; 10 mm²; Pin spacing 7.62 mm; 6-pole; 100% protected against mismatching; Screw flange; 10,00 mm²; light gray



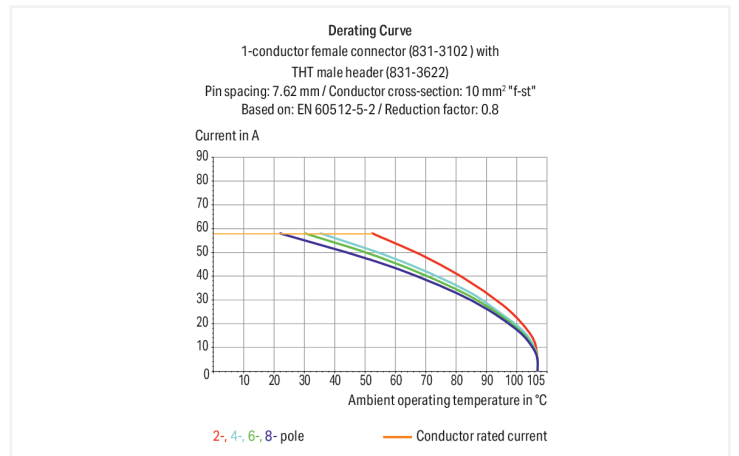
<https://www.wago.com/831-3106/107-000>



Color: ■ light gray



Dimensions in mm
 L = pole no. x pin spacing + 1.9 mm
 L1 = L + 7.5 mm



Federleiste/Buchse Serie 831 mit Push-in CAGE CLAMP®

Die Federleiste/Buchse (Artikelnummer 831-3106/107-000) ermöglicht eine fehlerfreie Elektroinstallation. Mit unseren Leiterplatten-Steckverbindern erhalten Sie ein universelles Steckverbindersystem, das vielseitig Verwendung finden kann: als Leiterplatten-Steckverbinder, als Durchführungssteckverbinder, als fliegende Steckverbindung für verschiedene Montagearten oder als Steckverbinder auf Reihenklemmen. Bei dieser Federleiste/Buchse ist für den Leiteranschluss eine Abisolierlänge im Bereich von 13 bis 15 mm erforderlich. Dieses Produkt ist mit der Push-in CAGE CLAMP®-Technologie ausgerüstet. Mit der Push-in CAGE CLAMP® Anschlusstechnik wird der Anschluss aller Leiterarten perfekt. Durch den Zusatznutzen des direkten Steckens können Leiter mit ausreichender Knicksteifigkeit sowie feindrähtige Leiter mit Aderendhülse ohne Werkzeug gesteckt werden. Die Maße betragen in Breite x Höhe x Tiefe (62,2 x 27,6 x 42,5) mm. In Abhängigkeit von der Leiterart eignet sich diese Federleiste/Buchse für Leiterquerschnitte von 0,5 mm² bis 10 mm². Für die Kontaktoberfläche wurde Zinn verwendet. Für diese Federleiste/Buchse erfolgt die Betätigung per Betätigungswerkzeug. Das "Multi Connection System" – MCS von WAGO ist das vielfältige Steckverbindersystem mit überzeugenden Lösungen für Ihre Anwendungen.

Notes	
Safety Information	The MCS – MULTI CONNECTION SYSTEM includes connectors without breaking capacity in accordance with DIN EN 61984. When used as intended, these connectors must not be connected/disconnected when live or under load. When used as intended, these connectors must not be connected/disconnected when live or under load. The circuit design should ensure header pins, which can be touched, are not live when unmated.
Variants:	Other pole numbers Other versions (or variants) can be requested from WAGO Sales or configured at https://configurator.wago.com/ .

Electrical data							
Ratings per	IEC/EN 60664-1			Approvals per	UL 1059		
Overvoltage category	III	III	II	Use group	B	C	D
Pollution degree	3	2	2	Rated voltage	-	600 V	-
Nominal voltage	800 V	1000 V	1000 V	Rated current	-	42 A	-
Rated surge voltage	8 kV	8 kV	8 kV				
Rated current	41 A	41 A	41 A				
Approvals per	CSA						
Use group	B	C	D				
Rated voltage	-	600 V	-				
Rated current	-	41 A	-				

Connection data		Connection 1	
Clamping units	6	Connection technology	Push-in CAGE CLAMP®
Total number of potentials	6	Actuation type	Operating tool
Number of connection types	1	Actuation direction 1	Operation parallel to conductor entry
Number of levels	1	Solid conductor	0.5 ... 10 mm ² / 20 ... 8 AWG
		Fine-stranded conductor	0.5 ... 10 mm ² / 20 ... 8 AWG
		Fine-stranded conductor; with insulated ferrule	0.5 ... 6 mm ²
		Fine-stranded conductor; with uninsulated ferrule	0.5 ... 6 mm ²
		Strip length	13 ... 15 mm / 0.51 ... 0.59 inches
		Pole number	6
		Conductor entry direction to mating direction	0°

Physical data

Pin spacing	7.62 mm / 0.3 inches
Width	62.2 mm / 2.450 inches
Height	27.6 mm / 1.087 inches
Depth	42.5 mm / 1.673 inches

Mechanical data

Variable coding	Yes
Anti-rotation protection	Yes

Plug-in connection

Contact type (pluggable connector)	Female connector/socket
Connector (connection type)	for conductor
Mismating protection	Yes
Locking of plug-in connection	Screw flange

Material data

Note (material data)	Information on material specifications can be found here
Color	light gray
Material group	I
Insulation material (main housing)	Polyamide (PA66)
Flammability class per UL94	V0
Clamping spring material	Chrome-nickel spring steel (CrNi)
Material of the additional spring for socket contact	Chrome-nickel spring steel (CrNi)
Contact material	Electrolytic copper (E _{Cu})
Contact Plating	Tin
Fire load	0.687 MJ
Weight	48 g

Environmental requirements

Limit temperature range	-60 ... +105 °C
Processing temperature	-35 ... +60 °C

Commercial data

PU (SPU)	12 pcs
Packaging type	Box
Country of origin	PL
GTIN	4066966779806
Customs tariff number	85366990990

Product Classification

UNSPSC	39121409
ETIM 9.0	EC001284
ETIM 8.0	EC001284
ECCN	NO US CLASSIFICATION

Environmental Product Compliance

RoHS Compliance Status Compliant, No Exemption

Approvals / Certificates

General approvals



Approval	Standard	Certificate Name
CB DEKRA Certification B.V.	IEC 61984	NL-61360/M1
KEMA/KEUR DEKRA Certification B.V.	EN 61984	71-116057
UR Underwriters Laboratories Inc.	UL 1059	UL-US-2426356-0

Downloads

Environmental Product Compliance

Compliance Search

Environmental Product Compliance ↓
831-3106/107-000

Documentation

Additional Information

Technical Section 03.04.2019 pdf 2027.26 KB ↓

CAD/CAE-Data

CAD data

2D/3D Models ↓
831-3106/107-000

CAE data

ZUKEN Portal ↓
831-3106/107-000

1 Compatible Products

1.1 System counterpart

1.1.1 Male connector/plug



Item No.: 831-3206/109-000
1-conductor male connector; Push-in CA-GE CLAMP®; 10 mm²; Pin spacing 7.62 mm; 6-pole; 100% protected against mismatching; Threaded flange; 10,00 mm²; light gray



Item No.: 831-3626/108-000
THT male header; 1.0 x 1.2 mm solder pin; angled; 100% protected against mismatching; Threaded flange; Pin spacing 7.62 mm; 6-pole; light gray



Item No.: 831-3606/108-000
THT male header; 1.0 x 1.2 mm solder pin; straight; 100% protected against mismatching; Threaded flange; Pin spacing 7.62 mm; 6-pole; light gray

1.2 Optional Accessories

1.2.1 Ferrule

1.2.1.1 Ferrule



Item No.: 216-101

Ferrule; Sleeve for 0.5 mm² / AWG 22; un-insulated; electro-tin plated; silver-colored

Item No.: 216-102

Ferrule; Sleeve for 0.75 mm² / AWG 20; un-insulated; electro-tin plated; silver-colored

1.2.2 Strain relief

1.2.2.1 Strain relief plate

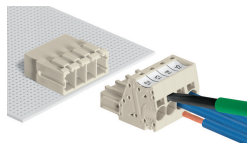


Item No.: 831-506

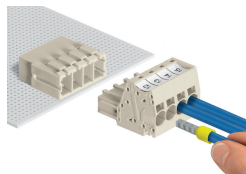
Strain relief plate; for female and male connectors; 51 mm wide; 1 part; Pin spacing 7.62 mm; light gray

Installation Notes

Conductor termination

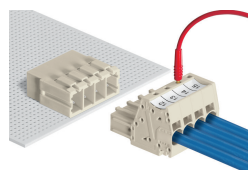


Inserting fine-stranded conductors via (5.5 x 0.8) mm screwdriver.



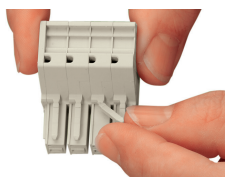
Solid and ferruled conductors are terminated by simply pushing them into unit.

Testing



Testing with 2 mm Ø test plug.

Coding



Break or cut off coding pin from female connector.

Marking



Direct marking of female and male connectors

MCS MAXI male and female connectors can also be marked via Mini-WSB or WMB markers.