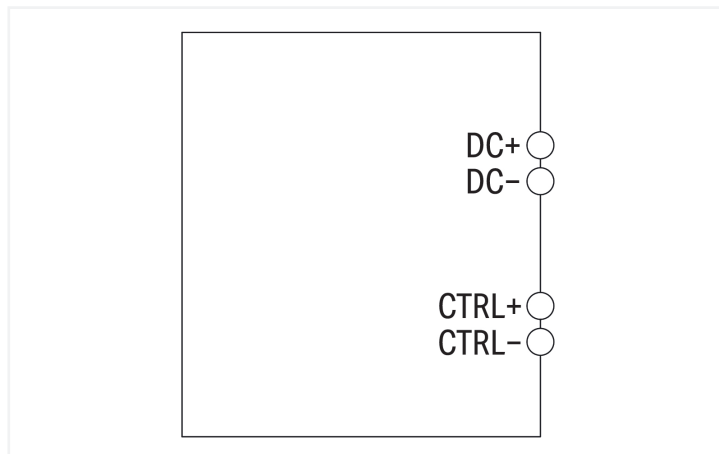


## Data Sheet | Item Number: 787-873

Lead-acid AGM battery module; 24 VDC input voltage; 40 A output current; 12 Ah capacity; with battery control

<https://www.wago.com/787-873>



### Features:

- Lead-acid, absorbed glass mat (AGM) battery module for uninterruptible power supply (UPS)
- Can be connected to both 787-870 or 787-875 UPS Charger and Controller, as well as to the 787-1675 Power Supply with integrated UPS charger and controller
- Parallel operation provides higher buffer time
- Built-in temperature sensor
- Mounting plate installation via continuous DIN-rail
- Battery control (from manufacturing no. 213412) detects both battery life and battery type

### Notes

Note For parallel connection, please switch battery capacity setting to "OFF" in the UPS charger and controller.

### Technical data

#### Input

Nominal input voltage  $U_{i, \text{nom}}$  24 VDC

#### Output

Nominal output voltage  $U_{o, \text{nom}}$  24 VDC

Nominal output current  $I_{o, \text{nom}}$  40 A

#### Energy storage systems

Memory type Lead-acid fleece

Battery capacity 12 Ah; 288 Wh; 1036.8 kJ

Charging current  $\leq 3$  A

End-of-charge voltage 27 VDC (25 °C)

#### Signaling and communication

Signaling Battery control (C+; C-)

#### Circuit protection

Internal fuse 2 x T 25 A

## Safety and protection

Protection class	III
Protection type	IP20; Per EN 60529
Pollution degree	2
Parallel operation	Yes
Series operation	No
MTBF	> 500,000 h (per IEC 61709)
Service life (typ.)	5 / 4 / 2 a (20 / 30 / 40 °C)

## Connection data

Cable length (max.)	3 m (Input, output, battery control)
---------------------	--------------------------------------

### Connection 1

Connection type	Input/output
Connection technology	Push-in CAGE CLAMP®
WAGO connector	WAGO 831 Series
Solid conductor	0.5 ... 10 mm <sup>2</sup> / 20 ... 8 AWG
Fine-stranded conductor	0.5 ... 10 mm <sup>2</sup> / 20 ... 8 AWG
Strip length	13 ... 15 mm / 0.51 ... 0.59 inches

### Connection 2

Connection type	Battery control
Connection technology	CAGE CLAMP®
WAGO connector	WAGO 231 Series
Solid conductor	0.08 ... 2.5 mm <sup>2</sup> / 28 ... 12 AWG
Fine-stranded conductor	0.08 ... 2.5 mm <sup>2</sup> / 28 ... 12 AWG
Strip length	8 ... 9 mm / 0.31 ... 0.35 inches

## Physical data

Width	120.5 mm / 4.744 inches
Height	239 mm / 9.409 inches
Depth	217.5 mm / 8.563 inches

## Mechanical data

Mounting type	Screw mount
---------------	-------------

## Material data

Fire load	0 MJ
Weight	10650 g

## Environmental requirements

Ambient temperature (operation)	-10 ... +40 °C
Ambient temperature (storage)	-20 ... +40 °C
Relative humidity	5 ... 80 % (no condensation permissible)

### Standards and specifications

Conformity marking	CE
Standards/specifications	VdS-tested battery UL 508

### Commercial data

Product Group	6 (INTERFACE ELECTRONIC)
PU (SPU)	1 pcs
Packaging type	Box
Country of origin	DE
GTIN	4045454993900
Customs tariff number	85072080900

### Product Classification

UNSPSC	26111707
eCl@ss 10.0	27-05-04-03
eCl@ss 9.0	27-05-04-03
ETIM 9.0	EC000357
ETIM 8.0	EC000357
ECCN	NO US CLASSIFICATION

### Environmental Product Compliance

CAS-No.	7439-92-1
REACH Candidate List Substance	Lead
RoHS Compliance Status	Compliant, No Exemption
SCIP notification number (Austria)	dbc257cd-3330-4f4d-abfd-a0fe4aef546d
SCIP notification number (Belgium)	e4b4df80-95f0-4508-8a6b-b0e3eeabea05
SCIP notification number (Bulgaria)	769aaa1d-71eb-415f-9a8a-7e1ed4160c57
SCIP notification number (Czech Republic)	13cb88b8-e520-479f-9229-2b13447bfe2c
SCIP notification number (Denmark)	b96478a9-ff5f-46a3-b508-f96bbb3e40e3
SCIP notification number (Finland)	8915f01a-858d-4ce2-a254-e97f966b2643
SCIP notification number (France)	6cf0dce7-0c60-4a7c-a4b6-f52266f315dd
SCIP notification number (Germany)	e3d797b1-bf74-412e-8eb2-67c09e96cf95
SCIP notification number (Hungary)	ac878ccf-94df-407f-83ac-f0b1549039f1
SCIP notification number (Italy)	bd7dfc17-e6fe-4c3d-831b-6055e6553a78
SCIP notification number (Netherlands)	87e9cb0d-06a0-4aee-a0e6-fdbbd632c7dd
SCIP notification number (Poland)	20253e97-b914-4796-896d-7e4d854572e7
SCIP notification number (Romania)	d3a5182e-25b9-4d20-925f-b82139784445
SCIP notification number (Sweden)	c059a02e-d6f9-4b8d-b6bd-b86cbc66398f

### Approvals / Certificates

#### General approvals



Approval	Standard	Certificate Name
EAC GZO Almaty Standart	TP TC 020/2011	EAC CoC 03081
UL Underwriters Laboratories Inc.	UL 508	E255817 UR

#### Declarations of conformity and manufacturer's declarations

Approval	Standard	Certificate Name
EU-Declaration of Conformity WAGO GmbH & Co. KG	-	-
UK-Declaration of Conformity WAGO GmbH & Co. KG	-	-

**Downloads**

**Environmental Product Compliance**

<b>Compliance Search</b>	
Environmental Product Compliance 787-873	<a href="#">↓</a>

**Documentation**

<b>Bid Text</b>			
787-873	12.07.2019	docx 21.33 KB	<a href="#">↓</a>
787-873	12.07.2019	xml 5.68 KB	<a href="#">↓</a>
ausschreiben.de 787-873 <a href="#">↓</a>			

<b>Instruction Leaflet</b>			
Blei-Vlies-Akku-Modul; Eingangsspannung DC 24 V; Ausgangsstrom 20 A; Kapazität 3,2 Ah; mit Battery-Control	31.07.2025	pdf 3401.33 KB	<a href="#">↓</a>
Bleigel-Akku-Modul	23.03.2022	pdf 574.72 KB	<a href="#">↓</a>

**CAD/CAE-Data**

<b>CAD data</b>	
2D/3D Models 787-873	<a href="#">↓</a>

<b>CAE data</b>	
EPLAN Data Portal 787-873	<a href="#">↓</a>
WSCAD Universe 787-873	<a href="#">↓</a>
ZUKEN Portal 787-873	<a href="#">↓</a>

**1 Compatible Products**

**1.1 Optional Accessories**

**1.1.1 Marking**

**1.1.1.1 Marker**

<p><b>Item No.: 2009-145</b> Mini-WSB Inline; for Smart Printer; 1700 pieces on roll; stretchable 5 - 5.2 mm; plain; snap-on type; white</p>	<p><b>Item No.: 248-501</b> Mini-WSB marking card; as card; not stretchable; plain; snap-on type; white</p>	<p><b>Item No.: 793-5501</b> WMB marking card; as card; for terminal block width 5 - 17.5 mm; stretchable 5 - 5.2 mm; plain; snap-on type; white</p>	<p><b>Item No.: 793-501</b> WMB marking card; as card; not stretchable; plain; snap-on type; white</p>
<p><b>Item No.: 2009-115</b> WMB-Inline; for Smart Printer; 1500 pieces on roll; stretchable 5 - 5.2 mm; plain; snap-on type; white</p>			

### 1.1.1.2 Marking strip



**Item No.: 2009-110**

Marking strips; for Smart Printer; on reel; not stretchable; plain; snap-on type; white

**Item No.: 210-831**

Marking strips; on reel; 2.3 mm wide; plain; Self-adhesive; white

**Item No.: 210-832**

Marking strips; on reel; 3 mm wide; plain; Self-adhesive; white

### 1.1.2 Power supply

#### 1.1.2.1 Uninterruptible power supply



**Item No.: 787-1675**

Switched-mode power supply with integrated charger and controller; Classic; 1-phase; 24 VDC output voltage; 5 A output current; communication capability

**Item No.: 787-870**

UPS charger and controller; 24 VDC input voltage; 24 VDC output voltage; 10 A output current; LineMonitor; communication capability

**Item No.: 787-875**

UPS charger and controller; 24 VDC input voltage; 24 VDC output voltage; 20 A output current; LineMonitor; communication capability

### 1.1.3 Tool

#### 1.1.3.1 Operating tool



**Item No.: 210-720**

Operating tool; Blade: 3.5 x 0.5 mm; with a partially insulated shaft; multicoloured

**Item No.: 210-721**

Operating tool; Blade: 5.5 x 0.8 mm; with a partially insulated shaft; multicoloured