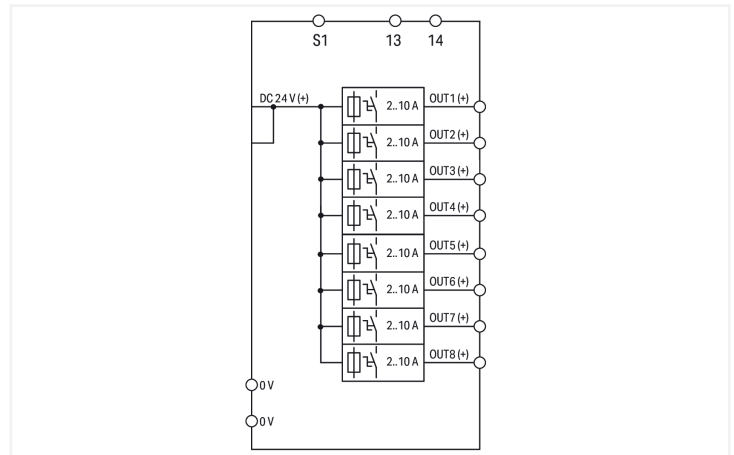


Data Sheet | Item Number: 787-1668/000-054

Electronic circuit breaker; 8-channel; 24 VDC input voltage; adjustable 2 ... 10 A; Signal contact; Specialty configuration

<https://www.wago.com/787-1668/000-054>



Similar to illustration

Features:

- Space-saving ECB with eight channels
- Nominal current: 2 ... 10 A (adjustable for each channel via sealable selector switch); Factory preset: 2 A (when switched off)
- Switch-on capacity > 50000 μ F per channel
- One illuminated, three-colored button per channel simplifies switching (on/off), resetting, and on-site diagnostics
- Time-delayed switching of channels
- Tripped message (group signal)
- Remote input resets all tripped channels
- Potential-free signal contact 13 / 14 reports "channel switched off" and "tripped channel" – does not support communication via pulse sequence.

Technical data

Input	
Nominal input voltage $U_{i, nom}$	24 VDC
Input voltage range	18 ... 30 VDC

Output	
Total number of channels (module)	8
Nominal output voltage $U_{o, nom}$	8 x 24 VDC
Output voltage range	18 ... 30 VDC (U_e - voltage drop)
Voltage drop	≤ 200 mV (10 A) (Input (+))
Nominal output current $I_{o, nom}$	8 x 2 / 3 / 4 / 6 / 8 / 10 A (adjustable for each channel via selector switch; 70 A (max.) in total)
Default Setting	DC 2 A; switched off
Trip time	16 ms ... 100 s (load-dependent)
Switch-on capacity	
Switch-on behavior	Time-delayed channel switching (load-dependent, min. 50 ms / max. 5 s)
Active current limitation	No
Current limitation	No

Signaling and communication	
Signaling	8 x LED (green/red/orange) 1 x Remote control input (S1) 1 x Group signal contact (13; 14)
Operation status indicator	Green LED (channel OK) Red LED (tripped channel)
Remote input	Reactivation of all tripped channels via 15 ... 30 VDC pulse for min. 500 ms

Efficiency/power losses	
Power loss P_I	≤ 1.32 W; ≤ 20 W (8 x 10 A)
Efficiency (typ.)	99 %

Circuit protection

Internal fuse	T 15 A per channel
---------------	--------------------

Safety and protection

Isolation voltage (connectors – housing)	0.5 kVDC
Protection class	III
Protection type	IP20; Per EN 60529
Reverse voltage protection	No
Resistance to reverse feed	≤ 35 VDC
Pollution degree	2
Transient suppression (primary)	Suppressor diode (33 V)
Parallel operation of single channels	Not permitted
Series operation	No
MTBF	> 500,000 h (per IEC 61709)

Connection data

Connection 1

Connection type	Input (+)
Connection technology	Push-in CAGE CLAMP®
WAGO connector	WAGO 831 Series
Solid conductor	0.5 ... 10 mm ² / 20 ... 8 AWG
Fine-stranded conductor	0.5 ... 10 mm ² / 20 ... 8 AWG
Strip length	13 ... 15 mm / 0.51 ... 0.59 inches

Connection 2

Connection type	Input (-); output; signaling
Connection technology	CAGE CLAMP®
WAGO connector	WAGO 721 Series
Solid conductor	0.08 ... 2.5 mm ² / 28 ... 12 AWG
Fine-stranded conductor	0.08 ... 2.5 mm ² / 28 ... 12 AWG
Strip length	8 ... 9 mm / 0.31 ... 0.35 inches

Physical data

Width	42 mm / 1.654 inches
Height	127 mm / 5 inches
Depth from upper-edge of DIN-rail	142.5 mm / 5.61 inches

Mechanical data

Mounting type	DIN-35 rail
---------------	-------------

Material data

Fire load	0.768 MJ
Weight	440 g

Environmental requirements

Ambient temperature (operation)	-25 ... +70 °C
Ambient temperature (storage)	-25 ... +85 °C
Relative humidity	5 ... 96 % (no condensation permissible)
Derating	≥ 50 °C (see instruction manual)

Standards and specifications

Conformity marking	CE
Standards/specifications	EN 61000-6-2 EN 61000-6-3 UL 508 UL 2367 DNV

Commercial data

PU (SPU)	1 pcs
Packaging type	Box
Country of origin	DE
Customs tariff number	85362010900

Product Classification

UNSPSC	39121601
eCl@ss 10.0	27-37-18-02
eCl@ss 9.0	27-37-18-02
ETIM 9.0	EC001440
ETIM 8.0	EC001440
ECCN	NO US CLASSIFICATION

Environmental Product Compliance

RoHS Compliance Status	Compliant, No Exemption
------------------------	-------------------------

Approvals / Certificates

General approvals **Declarations of conformity and manufacturer's declarations**



Approval	Standard	Certificate Name
EAC GZO Almaty Standart	TP TC 020/2011	EAC CoC 03081
UL Underwriters Laboratories Inc.	UL 508	E255817
UR Underwriters Laboratories Inc.	UL 2367	E363438

Approval	Standard	Certificate Name
EU-Declaration of Confor- mity WAGO GmbH & Co. KG	-	-
UK-Declaration of Confor- mity WAGO GmbH & Co. KG	-	-

Approvals for marine applications



Approval	Standard	Certificate Name
DNV DNV GL SE	-	TAA0000281

Downloads

Environmental Product Compliance

Compliance Search

Environmental Product Compliance 787-1668/000-054	↓
--	---

Documentation

Bid Text			
787-1668/000-054	03.07.2019	xml 7.11 KB	↓
787-1668/000-054	03.07.2019	docx 20.61 KB	↓

Instruction Leaflet		
Elektronische Schutzschalter	pdf 590.18 KB	↓

Application Notes

Application Note e!COCKPIT			
e!COCKPIT Application Note WagoAppFuse (a2019001)	2021-11-08 06.12.2021	pdf 548.17 KB	↓

CAD/CAE-Data

CAD data	
2D/3D Models 787-1668/000-054	↓

CAE data	
EPLAN Data Portal 787-1668/000-054	↓
WSCAD Universe 787-1668/000-054	↓
ZUKEN Portal 787-1668/000-054	↓

1 Compatible Products

1.1 Optional Accessories

1.1.1 Marking

1.1.1.1 Marker

<p>Item No.: 2009-145 Mini-WSB Inline; for Smart Printer; 1700 pieces on roll; stretchable 5 - 5.2 mm; plain; snap-on type; white</p>	<p>Item No.: 248-501 Mini-WSB marking card; as card; not stretchable; plain; snap-on type; white</p>	<p>Item No.: 793-5501 WMB marking card; as card; for terminal block width 5 - 17.5 mm; stretchable 5 - 5.2 mm; plain; snap-on type; white</p>	<p>Item No.: 793-501 WMB marking card; as card; not stretchable; plain; snap-on type; white</p>
<p>Item No.: 2009-115 WMB-Inline; for Smart Printer; 1500 pieces on roll; stretchable 5 - 5.2 mm; plain; snap-on type; white</p>			

1.1.1.2 Marking strip



Item No.: 2009-110

Marking strips; for Smart Printer; on reel; not stretchable; plain; snap-on type; white



Item No.: 210-831

Marking strips; on reel; 2.3 mm wide; plain; Self-adhesive; white



Item No.: 210-832

Marking strips; on reel; 3 mm wide; plain; Self-adhesive; white

1.1.2 Mounting adapter

1.1.2.1 DIN-rail adapter



Item No.: 787-897/000-010

Carrier rail adapter made of zinc die-cast; horizontal mounting of 787-16xx (TS35)

1.1.3 Tool

1.1.3.1 Operating tool



Item No.: 210-720

Operating tool; Blade: 3.5 x 0.5 mm; with a partially insulated shaft; multicoloured



Item No.: 210-721

Operating tool; Blade: 5.5 x 0.8 mm; with a partially insulated shaft; multicoloured



Item No.: 210-769

SCREWDRIVER; green