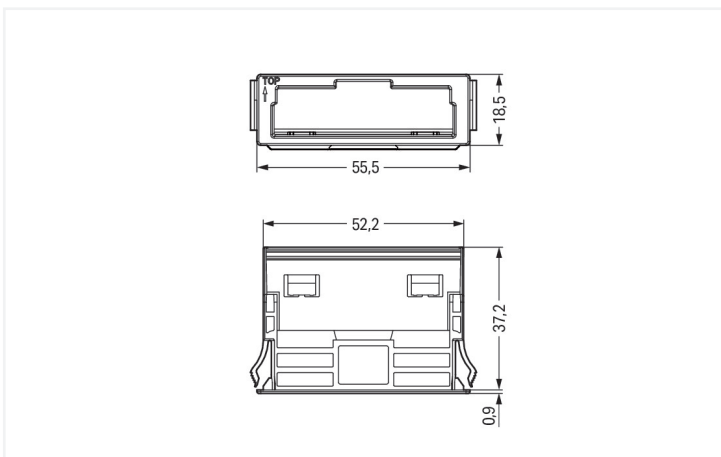


Data Sheet | Item Number: 770-320
Snap-in frame; 5-pole; 1.0 ... 3.0 mm; black

<https://www.wago.com/770-320>



Color: ■ black



Dimensions in mm

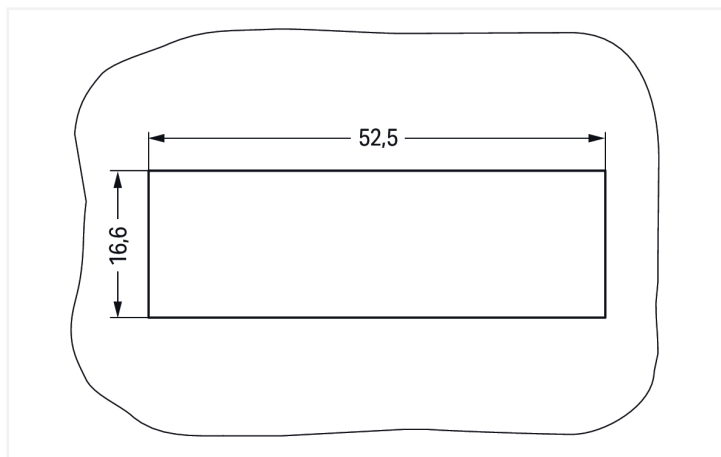


Plate thickness: 1 ... 3 mm
Cutout tolerance: + 0.1 mm

Please note!

Mounting accessories WINSTA® MIDI 5-pole

Realize the energy supply effortlessly: The mounting accessories from the WINSTA® MIDI product line is the solution for error-free electrical installation. With WAGO, you benefit from a large selection of accessories for the WINSTA® product line. The WINSTA® MIDI Pluggable Connection System with Push-in CAGE CLAMP® spring pressure connection technology facilitates precise electrification. Thanks to the built-in test slot, connections can be checked even when they are plugged in. This saves time, labor, and money.

WINSTA® MIDI solutions for your electrical installation – protected against mismatching and maintenance-free

WINSTA® is the pluggable connection system that is optimally tailored to the strict requirements of electrical installation. It offers error-free installation of cables and components, quickly and reliably. Now you can also reduce installation costs without compromising quality and safety: with protection against mismatching reduces the need for servicing and prevents unnecessary downtime.

- pre-assembled versions
- rapid, structured electrical installation

Notes

Note	<p>The snap-in connectors must be relieved of tensile and transverse forces. A surface finish can influence the edge radius of the cutouts. This may affect the snap-in socket fit, so ensure an adequate fit before use. In addition, the punched edge should be on the inside for punched cutouts.</p> <p>The wings of the snap-in connectors must not be mechanically stressed for a long period before use (e.g., due to a pre-locking position).</p>
------	---

Connection data

Connection 1

Pole number	5
-------------	---

Physical data

Width	55.5 mm / 2.185 inches
Height	18.5 mm / 0.728 inches
Depth	37.5 mm / 1.476 inches

Mechanical data

Housing sheet thickness	1 ... 3 mm / 0.039 ... 0.118 inches
Mounting type	Snap-in flange
Suitable	for socket and plug

Material data

Note (material data)	Information on material specifications can be found here
Color	black
Insulation material (main housing)	Polyamide (PA66)
Flammability class per UL94	V0
Fire load	0.158 MJ
Weight	5.3 g

Environmental requirements

Processing temperature	-5 ... +40 °C
Continuous operating temperature	-35 ... +85 °C
Note on continuous operating temperature	Insulating parts for temperatures ≤ 105 °C

Commercial data

Product Group	20 (Winsta)
PU (SPU)	100 pcs
Packaging type	Bag
Country of origin	DE
GTIN	4066966073737
Customs tariff number	39269097900

Product Classification

UNSPSC	39121421
eCl@ss 10.0	27-44-06-92
eCl@ss 9.0	27-44-06-92
ETIM 9.0	EC002863
ETIM 8.0	EC002863
ECCN	NO US CLASSIFICATION

Environmental Product Compliance

RoHS Compliance Status	Compliant, No Exemption
------------------------	-------------------------

Approvals / Certificates

Approvals for marine applications



Approval	Standard	Certificate Name
LR Lloyds Register	IEC 61984	LR22429487TA

Downloads

Environmental Product Compliance

Compliance Search
Environmental Product Compliance 770-320

Documentation

Bid Text			
770-320	19.02.2019	xml 2.67 KB	↓
770-320	10.12.2014	doc 23.50 KB	↓

CAD/CAE-Data

CAD data	
2D/3D Models 770-320	↓

CAE data	
WSCAD Universe 770-320	↓
ZUKEN Portal 770-320	↓

1 Compatible Products

1.1 Optional Accessories

1.1.1 Locking system

1.1.1.1 Locking system

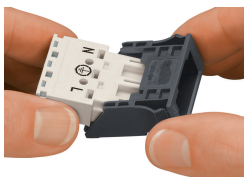


Item No.: 770-140

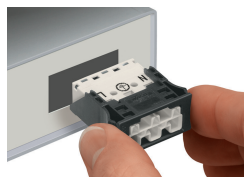
Locking lever; for sockets and plugs; for tool operation; gray

Installation Notes

Installation



Insert the socket or plug into the frame (observe the "TOP" marking on the frame!), then snap the assembled unit into the cutout.



Snap the assembled unit into the cutout.