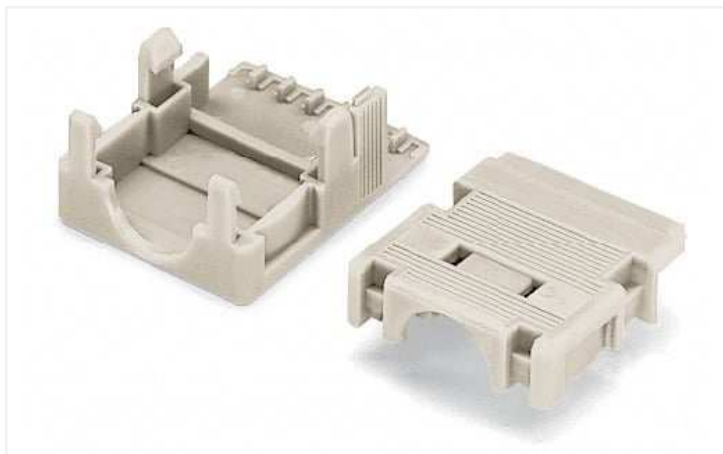


Data Sheet | Item Number: 734-605

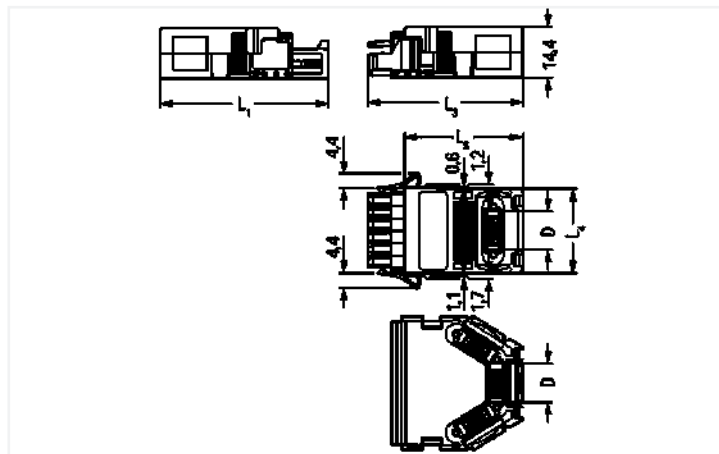
Strain relief housing; light gray

<https://www.wago.com/734-605>



Color: light gray

Similar to illustration



Dimensions in mm

- Only for use with cable binders
- Cable binder width: max. 3.6 mm
- 1 x cable outlet, rear

Connection data

Connection 1

Pole number	5
-------------	---

Physical data

Pin spacing	3.5 mm / 0.138 inches
Width	20.5 mm / 0.807 inches
Height	14.4 mm / 0.567 inches
Depth	32.7 mm / 1.287 inches

Mechanical Data

Suitable	for standard male and female connectors
----------	---

Material Data

Note (material data)	Information on material specifications can be found here
Color	light gray
Material group	I
Insulation material	Polyamide (PA66)
Flammability class per UL94	V0
Fire load	0.095 MJ
Weight	3 g

Commercial data	
Product Group	3 (Multi Conn. System)
eCl@ss 10.0	27-44-04-92
eCl@ss 9.0	27-44-04-92
ETIM 8.0	EC002848
ETIM 7.0	EC002848
PU (SPU)	25 pcs
Packaging type	Box
Country of origin	DE
GTIN	4017332578424
Customs tariff number	39269097900

Approvals / Certificates

General approvals			Approvals for marine applications		
Approval	Standard	Certificate Name	Approval	Standard	Certificate Name
CCA DEKRA Certification B.V.	EN 61984	2169534.02	ABS American Bureau of Ship- ping	-	19-HG1869876-PDA
CCA DEKRA Certification B.V.	EN 61984	nl-54190	DNV GL Det Norske Veritas, Ger- manischer Lloyd	-	TAE000016Z
			LR Lloyds Register	IEC 61984	96/20035 (E5)

Downloads

Environmental Product Compliance	
Compliance Search	
Environmental Product Compliance 734-605	↓

Documentation

Additional Information			
Technical Section	03.04.2019	pdf 1949.09 KB	↓

CAD/CAE-Data



CAD data

2D/3D Models 734-605



CAE data

EPLAN Data Portal
734-605



ZUKEN Portal 734-605

