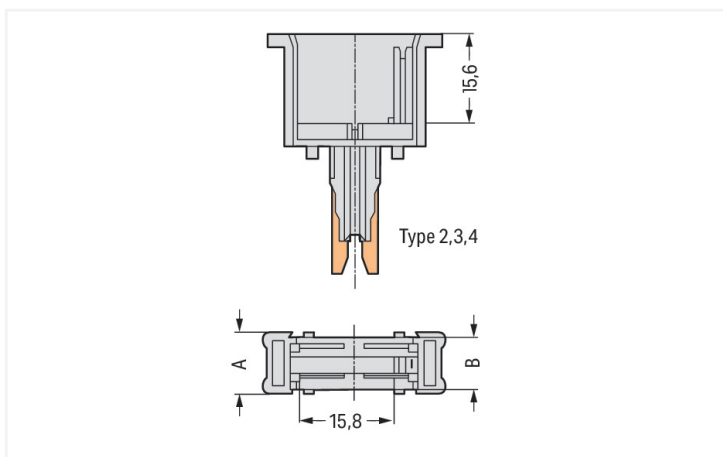




| Type | 1 | 2 | 3 | 4 |
|------|-----|-----|-----|-----|
| A | 5 | 10 | 10 | 10 |
| B | 3.2 | 8.2 | 8.2 | 8.2 |

Color: ■ gray



Dimensions in mm

Empty component plug housing, type 2

Note

Note Plug inside dimensions: W/H/L (8.2/15/15) mm

Electrical data

Rated continuous current 6 A

Safety and protection

Rated Voltage 250 V

Rated impulse withstand voltage 4 kV

Pollution degree 3

Connection data

| | |
|-------------|---|
| Pole number | 2 |
|-------------|---|

Physical data

| | |
|-------|----------------------|
| Width | 10 mm / 0.394 inches |
|-------|----------------------|

Mechanical data

| | |
|----------------|---|
| Housing design | Plug for carrier terminal blocks |
| Mounting type | Pluggable module for carrier terminal block |

Material data

| | |
|-------|------|
| Color | gray |
|-------|------|

Commercial data

| | |
|-----------------------|----------------------------------|
| Product Group | 1 (Rail Mounted Terminal Blocks) |
| PU (SPU) | 50 pcs |
| Packaging type | Box |
| Country of origin | DE |
| GTIN | 4044918270410 |
| Customs tariff number | 85366990990 |

Product Classification

| | |
|-------------|----------------------|
| UNSPSC | 39121402 |
| eCl@ss 10.0 | 27-14-11-49 |
| eCl@ss 9.0 | 27-18-27-02 |
| ETIM 9.0 | EC002018 |
| ETIM 8.0 | EC002018 |
| ECCN | NO US CLASSIFICATION |

Environmental Product Compliance

| | |
|------------------------|-------------------------|
| RoHS Compliance Status | Compliant, No Exemption |
|------------------------|-------------------------|

Downloads




Environmental Product Compliance

Compliance Search

Environmental Product
Compliance 280-802



CAD/CAE-Data

| CAD data | CAE data |
|--|--|
| 2D/3D Models 280-802  | WSCAD Universe 280-802  |
| | ZUKEN Portal 280-802  |

1 Compatible Products

1.1 Optional Accessories

1.1.1 Marking

1.1.1.1 Marking strip



Item No.: 210-833

Marking strips; 25 m on roll; 6 mm wide; plain; Self-adhesive; white



Item No.: 210-831

Marking strips; on reel; 2.3 mm wide; plain; Self-adhesive; white



Item No.: 210-832

Marking strips; on reel; 3 mm wide; plain; Self-adhesive; white



Item No.: 210-834

Marking strips; on reel; 5 mm wide; plain; Self-adhesive; white