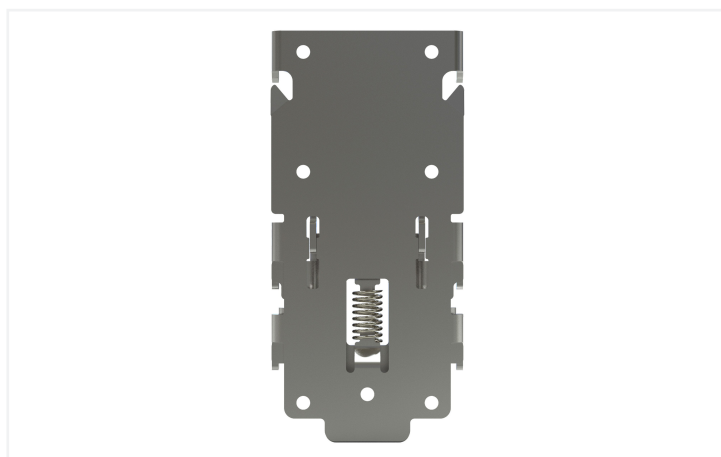
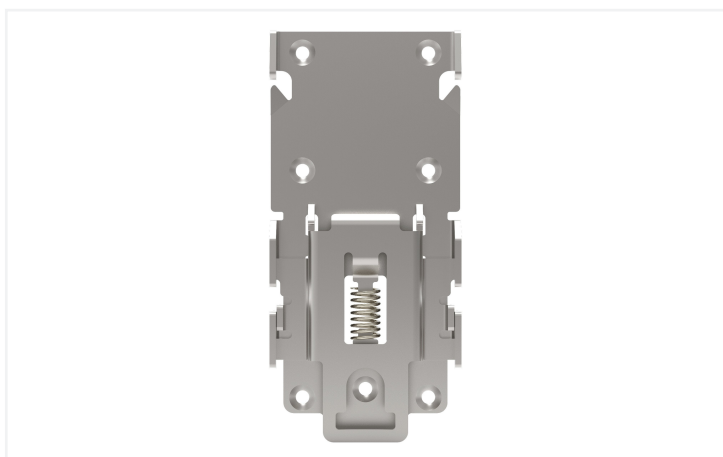
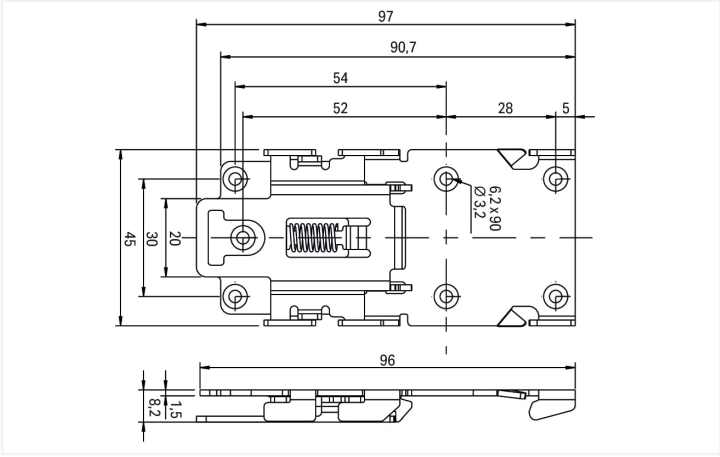
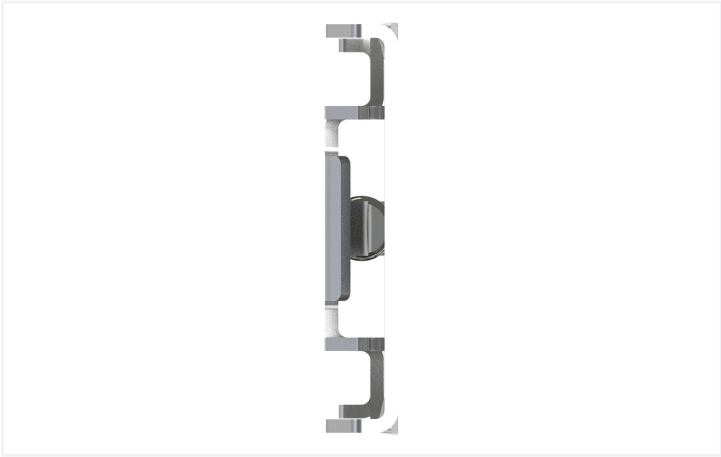


Data Sheet | Item Number: 2789-1145

Mounting carrier; 1.5 mm thick; carbon steel; for DIN-35 rail mounting; 45 mm

<https://www.wago.com/2789-1145>





Dimensions in mm

Physical data

Width	45 mm / 1.77 inches
Height	96 mm / 3.78 inches
Depth from upper-edge of DIN-rail	1.5 mm / 0.06 inches

Material data

Fire load	0 MJ
Weight	65.8 g

Commercial data


ETIM 9.0	EC002622
ETIM 8.0	EC002622
PU (SPU)	500 pcs
Packaging type	Box
Country of origin	CN
GTIN	4055144012941
Customs tariff number	85049090000

Environmental Product Compliance

RoHS Compliance Status	Compliant, No Exemption
------------------------	-------------------------

Downloads

Environmental Product Compliance

Compliance Search
Environmental Product Compliance 2789-1145 

CAD/CAE-Data

CAD data
2D/3D Models 2789-1145 