

Ex e II PCB terminal strip; 2 solder pins/pole; 8-pole; suitable for Ex e II applications; pin spacing 5/5.08 mm / 0.2 in

Item No.: 236-408/000-009/999-950



Ex e II PCB terminal strip; 2 solder pins/pole; 8-pole; suitable for Ex e II applications; pin spacing 5/5.08 mm / 0.2 in

Marking

RoHS ✓
Compliant

Business data

Supplier	WAGO
Item no.	236-408/000-009/999-950
EAN	4044918777353
Content	1
Order amount	25
Customer item number	

Notes

Terminal strips with CAGE CLAMP® connection, screwdriver actuation parallel or perpendicular to conductor entry
Operating tools for factory wiring
45° connection angle permits a wide range of uses and wiring options
Set to metric or inch pin spacing by compressing terminal strips together or pulling them apart

Technical data

Miscellaneous

No. of Poles	8
Total number of connection points	8
Total number of potentials	8
Color	light gray
Nominal current [A]	16 [A]
Rated voltage EN (Ex e II) [V]	176 [V]
Nominal current (Ex e II) [A]	16 [A]

Technical data	
<i>Ratings according to 4</i>	<i>ATEX: PTB 06 ATEX 1061 U / IECEx: PTB 06.0042 U</i>
<i>Connection technology (1)</i>	<i>CAGE CLAMP®</i>
<i>Conductor type (1)</i>	<i>solid</i>
<i>Cross section from (1) [mm²]</i>	<i>0.08 [mm²]</i>
<i>Cross section up to (1) [mm²]</i>	<i>2.5 [mm²]</i>
<i>Cross section from (1) [AWG]</i>	<i>28 [AWG]</i>
<i>Cross section up to (1) [AWG]</i>	<i>12 [AWG]</i>
<i>Conductor type (2)</i>	<i>fine-stranded</i>
<i>Cross section from (2) [mm²]</i>	<i>0.08 [mm²]</i>
<i>Cross section up to (2) [mm²]</i>	<i>2.5 [mm²]</i>
<i>Conductor type (3)</i>	<i>fine-stranded (with insulated ferrule)</i>
<i>Cross section from (3) [mm²]</i>	<i>0.25 [mm²]</i>
<i>Cross section up to (3) [mm²]</i>	<i>1.5 [mm²]</i>
<i>Conductor type (4)</i>	<i>fine-stranded (with uninsulated ferrule)</i>
<i>Cross section from (4) [mm²]</i>	<i>0.25 [mm²]</i>
<i>Cross section up to (4) [mm²]</i>	<i>1.5 [mm²]</i>
<i>Stripped length from (1) [mm]</i>	<i>5 [mm]</i>
<i>Stripped length up to (1) [mm]</i>	<i>6 [mm]</i>
<i>Strip length from [inch] [in]</i>	<i>0.2 [in]</i>
<i>Strip length up to [inch] [in]</i>	<i>0.24 [in]</i>
<i>Stripped length (1) [in]</i>	<i>0.22 [in]</i>
<i>Conductor entry angle to the PCB (degrees) [°]</i>	<i>45 [°]</i>
<i>Type of wiring</i>	<i>Front-/Side-entry wiring</i>
<i>Solder pin length [mm]</i>	<i>4 [mm]</i>
<i>Solder pin width A [mm]</i>	<i>0.7 [mm]</i>
<i>Solder pin width B [mm]</i>	<i>0.7 [mm]</i>
<i>Drilled hole diameter [mm] [mm]</i>	<i>1.1 [mm]</i>
<i>Tolerance of drilled hole diameter [mm] [mm]</i>	<i>+0.1 [mm]</i>
<i>Material group</i>	<i>I</i>
<i>Insulating material</i>	<i>Polyamide 6.6 (PA 6.6)</i>
<i>Flammability rating per UL 94</i>	<i>V0</i>
<i>Lower limit temperature [C]</i>	<i>-60 [C]</i>
<i>Upper temperature limit [C]</i>	<i>105 [C]</i>
<i>Clamping spring material</i>	<i>Chrome-nickel spring steel (CrNi)</i>

Printview: Ex e II PCB terminal strip; 2 solder pins/pole; 8-pole; suitable for Ex e II applications; pin spacing 5/5.08 mm / 0.2 in - Item No.: 236-408/000-009/999-950

Technical data	
Contact material	Electrolytic copper (Ecu)
Contact plating	tin-plated
Fire load [MJ]	0.1 [MJ]
Weight [g]	7.132 [g]
Width [mm]	42.3 [mm]
Width [in]	1.665 [in]
Height [mm]	13 [mm]
Height [in]	0.512 [in]
Length [mm]	14 [mm]
Length [in]	0.551 [in]
Pin spacing from [mm]	5 [mm]
Pin spacing up to [mm]	5.08 [mm]
Pin spacing from [in]	0.197 [in]
Pin spacing up to [in]	0.2 [in]

Approbation					
Item No.	Registration	Registration no.	Voltage [V]	Current [A]	Cross section [mm ² , AWG]
236-408/000-009/999-950	AEX	E185892	300	15	28-12
236-408/000-009/999-950	ATEX	PTB 06 Atex 1061 U	176	16	0.08-2.50
236-408/000-009/999-950	GOSENERGO-Ex	99.041	175	16	0,5-2,5
236-408/000-009/999-950	PTB	IECEXPTB06.004 2U	176	16	0,5-2,5
236-408/000-009/999-950	PTB	PTB06ATEX1061 U	176	16	0,5-2,5
236-408/000-009/999-950	RosTest	8189158	176	16	0,5-2,5

Accessories

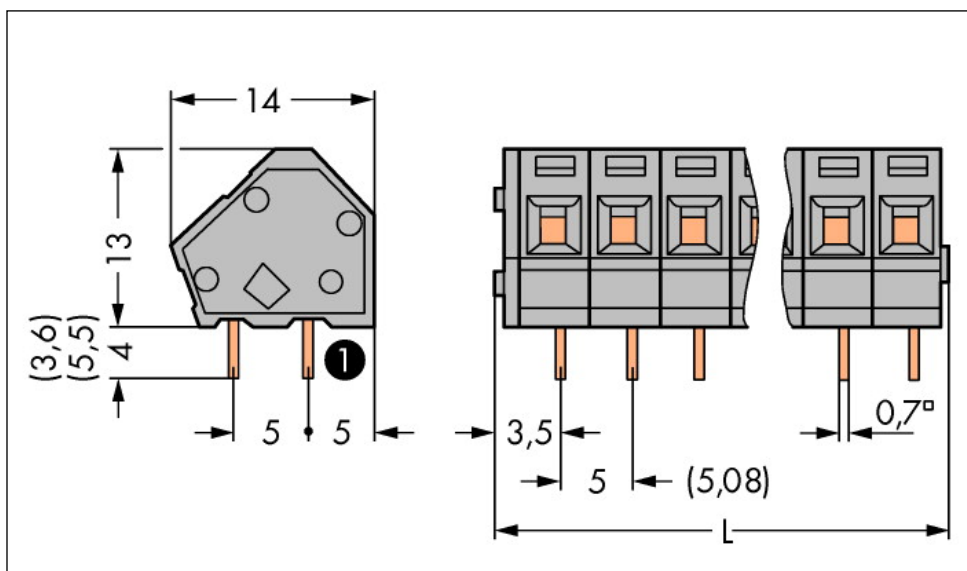
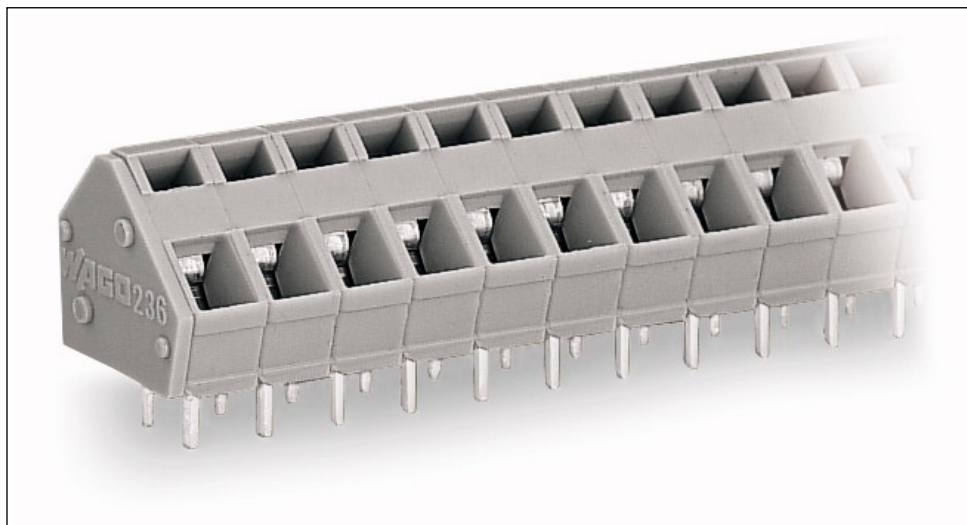
Accessories

General accessory

Item no.	Description	Pack. unit (Sub Pack)
209-130	Operating tool; suitable for 264, 280 and 281 Series; 1-way; of insulating material	1
210-191	Stickers for operating instructions; for PCB terminal blocks; 236 Series	100
210-657	Operating tool with partially insulated shaft; blade (3.5 x 0.5) mm; short; suitable for 260, 261, 262, 264, 270, 280, 281, 869, 870 and 880 Series	1
210-658	Operating tool with partially insulated shaft; blade (3.5 x 0.5) mm; short; angled; particularly suitable for 280 Series actuator and sensor terminal blocks and also for Series 260, 261, 262, 264, 280, 281, 869, 870, 880, 2002,	1
210-720	Operating tool with partially insulated shaft; Type 2, blade (3.5 x 0.5) mm; suitable for 260, 261, 262, 264, 270, 280, 281, 290, 775, 776, 777, 769, 780, 781, 869, 870, 880, 2002, 2003, 2004, 2005 and 2022 Series	1
236-332	Operating tool; plastic	50

Printview: Ex e II PCB terminal strip; 2 solder pins/pole; 8-pole; suitable for Ex e II applications; pin spacing 5/5.08 mm / 0.2 in - Item No.: 236-408/000-009/999-950

Images & drawings



Address

WAGO Kontakttechnik GmbH & Co. KG

Hansastr. 27

32423 Minden

Telefon: 0571/887-0

Fax: 0571/887-169

<http://www.wago.com>

© WAGO Kontakttechnik GmbH & Co. KG

Technische Änderungen und Irrtümer vorbehalten.