

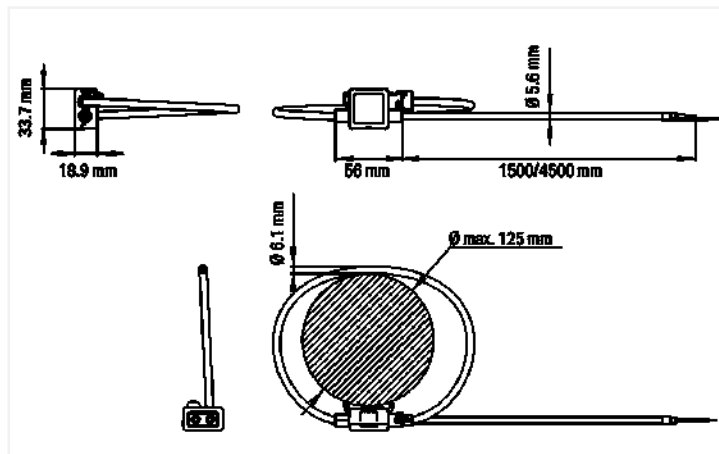
Data Sheet | Item Number: 855-9450/2000-1251

Rogowski coil; Primary rated current 1000 A; Output signal 22.5 mV per kA; Cable length 4.5 m; Feedthrough for measurement conductor 125 mm

<https://www.wago.com/855-9450/2000-1251>



Similar to illustration



Dimensions in mm

Short description:WAGO's Rogowski coils are used to measure AC currents and are particularly well suited for retrofitting in existing systems. The split coil bobbin allows for subsequent installation around the primary conductor – be it current bars or round conductors. These Rogowski coils can be connected to WAGO's 857-552, 750-495/000-002 and 2857-570/024-000 modules. A sealable bayonet catch and mounting brackets for cable ties make for easy installation.

Notes

Note

Rogowski technology allows the coils to measure a wide primary current range of up to 10,000 A without loss of accuracy, because there are no saturation effects. The requirements for standards EN 61869-1, EN 61869-2, EN 61869-6 and EN 61869-10 are only partially met, as there are fundamental differences with current transformers for a Rogowski coil.

Technical data

Input

Measurement range	10 A ... 10000 A (up to 4000 A in combination with the recommended WAGO products)
-------------------	---

Input Current Transformers

Primary rated current	1000 A
Rated short-time thermal current I_{th}	300 kA at 50 Hz
Rated frequency	50 ... 60 Hz
Mutual inductance M	72.14 nH

Output – analog

Sensitivity	22.5 mV/kA at 50 Hz
Output signal (max.)	30 V

Signal Processing

Limit frequency	276 kHz
-----------------	---------

Measurement Error

Accuracy class	0.5
Translation errors (all positions)	0.75 %
Translation errors (note)	Assuming that a primary conductor with a minimum diameter of 15 mm is used that is routed perpendicular to and in contact with the coil.

Safety and protection

Rated voltage	1000 VAC _{rms} (Cat. III); 600 VAC _{rms} (Cat. IV)
Impulse withstand voltage (1.2/50 µs)	12.8 kV
Protection type	IP57

Test voltage

Voltage for isolation test	AC 7.4 kV; 50 Hz; 1 min
----------------------------	-------------------------

Connection data

Feedthrough for measurement conductor	Ø 125 mm
---------------------------------------	----------

Physical data

Cable length	4.5 m
--------------	-------

Mechanical Data

Mounting type	Split-core current transformer (suspended)
---------------	--

Material Data

Fire load	0 MJ
Weight	130 g

Environmental requirements

Ambient temperature (operation at U _N)	-40 ... +80 °C
Surrounding air temperature (storage)	-40 ... +80 °C
Relative humidity	≤ 90% (without condensation)
Operating altitude (max.)	2000 m

Standards and specifications

Conformity marking	CE
Standards/specifications	EN 61010-1 EN 61010-2-32 EN 61869-1 EN 61869-2 EN 61869-6 EN 61869-10 UL 61010-1

Commercial data

eCl@ss 10.0	27-21-09-02
eCl@ss 9.0	27-21-09-02
ETIM 8.0	EC002048
ETIM 7.0	EC002048
PU (SPU)	1 pcs
Packaging type	Bag
Country of origin	BG
GTIN	4055143419215
Customs tariff number	90303370000

Approvals / Certificates

General approvals



Approval	Standard	Certificate Name
EAC Brjansker Zertifizierungs- stelle	TP TC 004/2011,TP TC 020/2011	EAC RU C-DE.AM02. B.00111/19
UL Underwriters Laboratories Inc.	UL 61010-2-032	E499682

Downloads

Environmental Product Compliance

Compliance Search

Environmental Product
Compliance
855-9450/2000-1251



Documentation

Bid Text

855-9450/2000-1251

19.02.2019

docx

18.04 KB



Instruction Leaflet

Rogowski-Spulen
RC70 / RC125 / RC175

V 1.1.0

pdf

1698.78 KB



1 Compatible Products

1.1 Optional Accessories

1.1.1 Signal conditioner

1.1.1.1 Current signal conditioner



Item No.: 857-552

Current signal conditioner; Input for Rogowski coils; Current and voltage output signal; Digital output; Configuration via software; Supply voltage: 24 VDC; 6 mm module width; 2,50 mm²

1.1.1.2 Power measurement module



Item No.: 2857-570/024-000

3-Phase Power Measurement Module;
3x277/480 V/RC; Modbus RTU; Digital out-
put; Configuration via software; Supply
voltage: 24 VDC

Installation Notes

Installation



Bayonet connector:
Robust and durable



Screw-mount clips:
Quick and easy mounting with cable ties



Lock-out seal:
Greater security via sealable bayonet lock