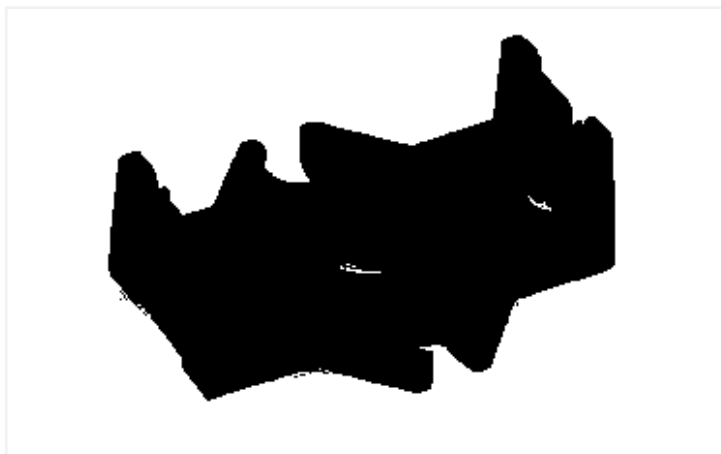
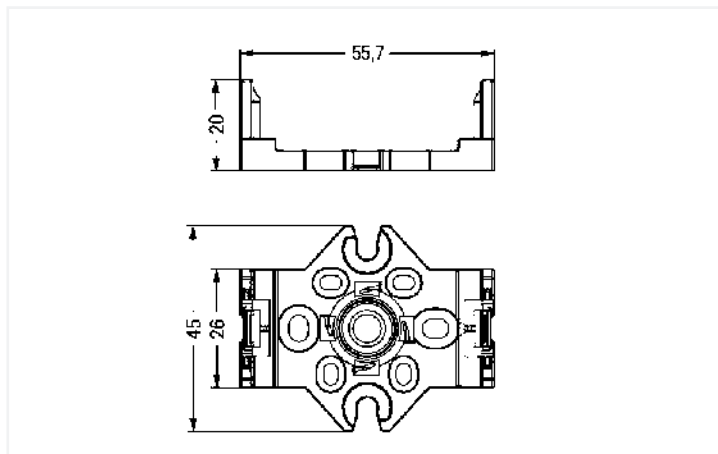


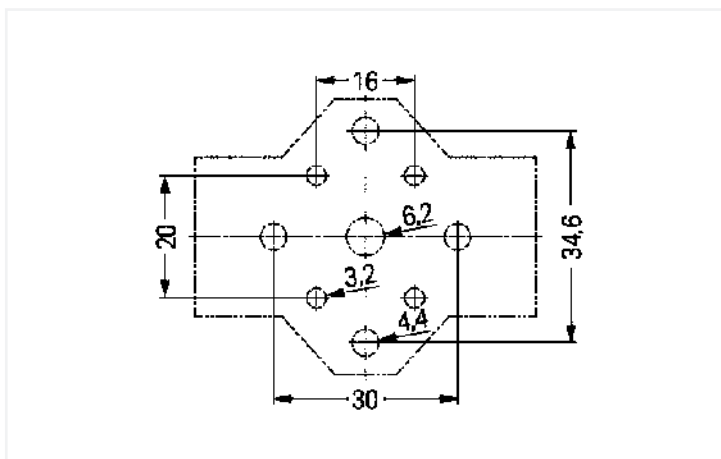
<https://www.wago.com/770-625>



Color: ■ black



Dimensions in mm



Dimensions in mm

#### Mounting accessories WINSTA® MIDI 5-pole

Realize the electrical installation without difficulty: The mounting accessories from the WINSTA® MIDI product line is the solution for quick, straightforward installation. You can rely on the level of quality of WINSTA® components from WAGO for your electrical installation accessories too. The WINSTA® MIDI product line achieves total flexibility for the installation of applications. With its Push-in CAGE CLAMP® spring pressure connection technology, it ensures time-saving, error-free installation and offers flexibility for meeting an enormous variety of installation requirements.

#### WINSTA® MIDI solutions for your electrical installation – maintenance-free

The WINSTA® Pluggable Connection System is perfectly tailored to the very strict requirements of building installation. It makes electrical installation pluggable, and consequently more efficient, even more reliable, and error-free. Using this pre-assembled system decreases time spent on assembly and installation errors at the construction site. Take advantage of the pluggable version of our maintenance-free spring pressure connection technology too! Plan your installation with WINSTA® MIDI accessories from WAGO.

- pre-assembled versions
- quick replacement of defective units during ongoing operation

#### Connection data

### Connection 1

Pole number	5
-------------	---

### Mechanical data

Mounting type	Screw mount
Suitable	for distribution connectors (except T-distribution connectors); 5-pole

### Material data

Note (material data)	<a href="#">Information on material specifications can be found here</a>
Color	black
Insulation material	Polyamide (PA66)
Flammability class per UL94	V0
Fire load	0.184 MJ
Weight	6.4 g

### Environmental requirements

Processing temperature	-5 ... +40 °C
Continuous operating temperature	-35 ... +85 °C
Note on continuous operating temperature	Insulating parts for temperatures ≤ 105 °C

### Commercial data

Product Group	20 (Winsta)
eCl@ss 10.0	27-44-06-92
eCl@ss 9.0	27-44-06-92
ETIM 8.0	EC002863
ETIM 7.0	EC002863
PU (SPU)	25 pcs
Packaging type	Box
Country of origin	DE
GTIN	4017332755399
Customs tariff number	39269097900

### Environmental Product Compliance

RoHS Compliance Status	Compliant, No Exemption
------------------------	-------------------------

### Downloads

#### Environmental Product Compliance

##### Compliance Search

Environmental Product  
Compliance 770-625



### Documentation

Bid Text			
770-625	19.02.2019	xml 2.55 KB	↓
770-625	13.01.2015	doc 22.50 KB	↓
ausschreiben.de 770-625			↓

CAD/CAE-Data	
<b>CAD data</b>	<b>CAE data</b>
2D/3D Models 770-625 ↓	WSCAD Universe 770-625 ↓
	ZUKEN Portal 770-625 ↓

<b>1 Compatible Products</b>
<b>1.1 Optional Accessories</b>
<b>1.1.1 Installation</b>
<b>1.1.1.1 Mounting accessories</b>



**Item No.: 890-601**  
Fixing pin; 5 mm Ø, for 1.5 ... 2.5 mm mounting plates; Plastic; black

**Item No.: 770-601**  
Fixing pin; 6 mm Ø, for 2.5 ... 4.0 mm mounting plates; Plastic; black