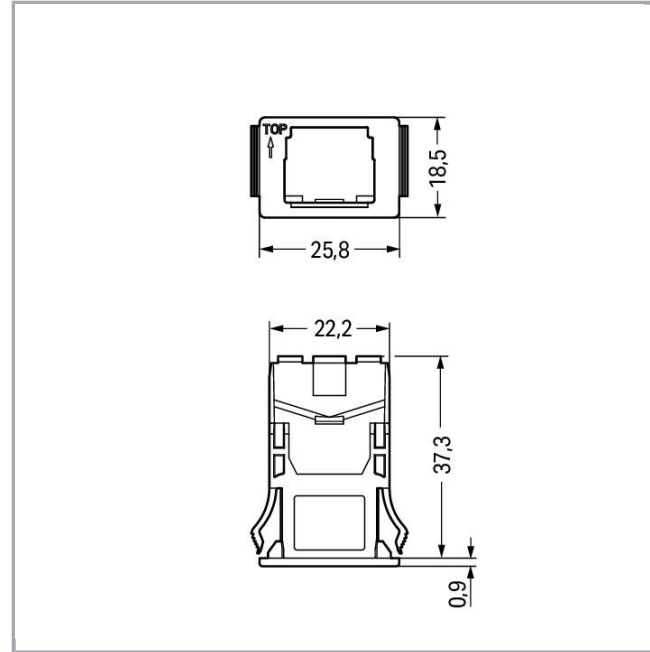
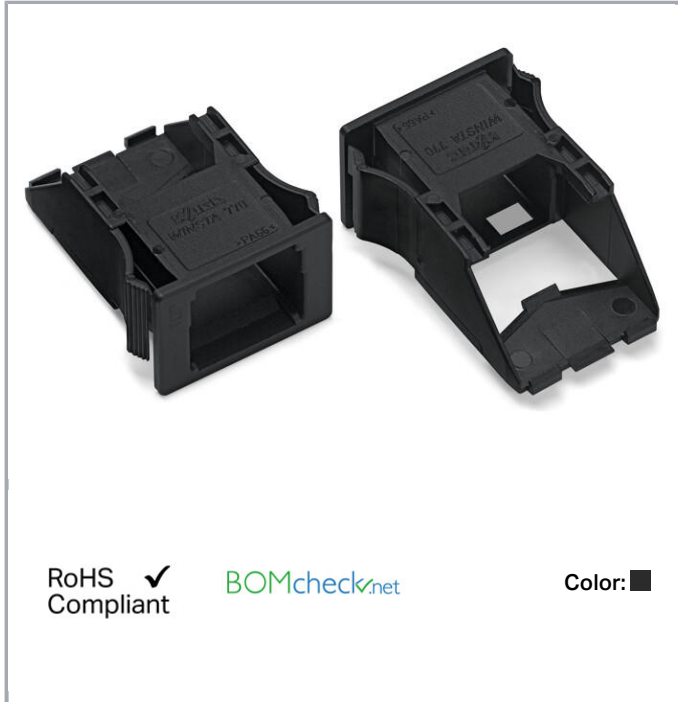


Data sheet | Item number: 770-317
Snap-in frame; 2-pole; 0.5 ... 2.0 mm; black

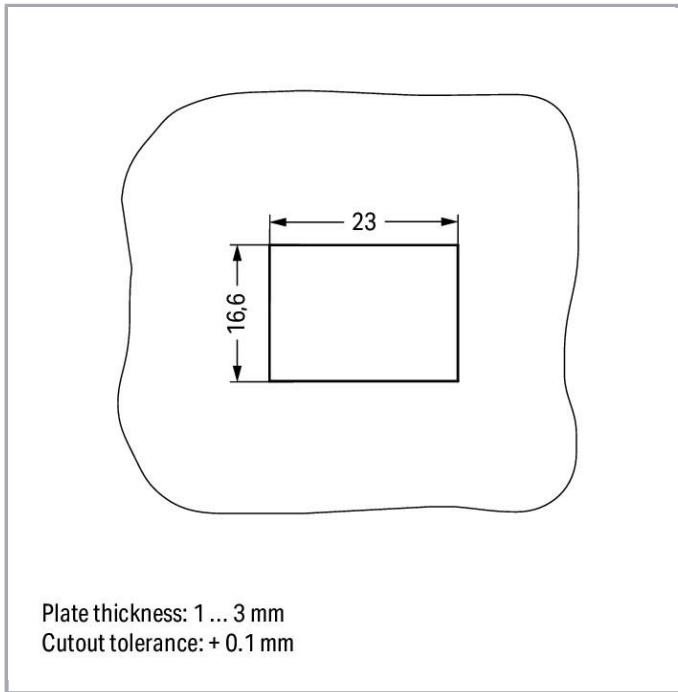
www.wago.com/770-317



Subject to changes.

WAGO Kontakttechnik GmbH & Co. KG
Hansastr. 27
32423 Minden
Phone: +49571 887-0 | Fax: +49571 887-169
Email: info.de@wago.com | Web: www.wago.com

Do you have any questions about our products?
We are always happy to take your call at +49 (571) 887-44222.



Data

Electrical data

Ratings per IEC/EN 60664-1

Legend (ratings)

(III / 3) ≙ Overvoltage category III / Pollution degree 3

Geometrical Data

Width	25.8 mm / 1.016 inch
Height	18.5 mm / 0.728 inch
Depth	38.75 mm / 1.526 inch

Mechanical data

Gehäuseblechstärke	1 ... 3 mm / 0.039 ... 0.118 inch
Mounting type	Snap-in
Suitable	for socket and plug

Material Data

Color	black
Insulating material	Polyamide 66 (PA 66)

Subject to changes.

Flammability class per UL94	V0
Fire load	0.081 MJ
Weight	2.7 g

Environmental Requirements


Processing temperature	-5 ... +40 °C
Continuous operating temperature	-35 ... +85 °C
Note on Continuous Service Temperature	Insulating parts for temperatures ≤ 105 °C

Commercial data



Product Group	20 (WINSTA)
Packaging type	BOX
Country of origin	DE
GTIN	4050821261162
Customs Tariff No.	39269097900

Approvals / Certificates

Country specific Approvals

Logo	Approval	Additional Approval Text	Certificate name
	CCA DEKRA Certification B.V.	EN 61535	2173495.02
	CCA DEKRA Certification B.V.	IEC 61535	NL-32105

Ship Approvals

Logo	Approval	Additional Approval Text	Certificate name
	ABS American Bureau of Shipping	-	19- HG1868589- PDA
	DNV GL Det Norske Veritas, Germanischer Lloyd	-	TAE00001Z6
	LR Lloyds Register	IEC 61984	02/20050 (E6)

Subject to changes.



Compatible products

Locking lever



Item no.: 770-140

Locking lever; for sockets and plugs; for tool operation; gray

www.wago.com/770-140

Downloads

Documentation

Bid Text

770-317 X81 - Datei	Feb 19, 2019	xml 2.6 kB	Download
770-317 doc - Datei	Dec 2, 2014	doc 23.6 kB	Download

CAD/CAE-Data

CAD data

2D/3D Models 770-317	URL	Download
----------------------	-----	----------

CAE data

WSCAD Universe 770-317	Download
------------------------	----------

Installation Notes

Product family

<i>WINSTA</i>® MIDI

[Show all products from the family](#)

Subject to changes.