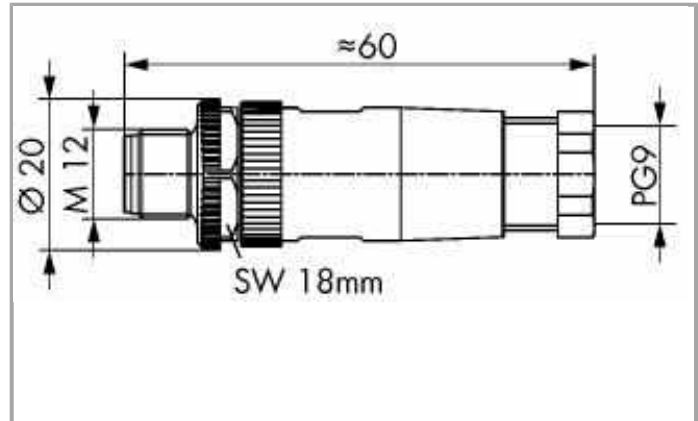


Data sheet | Item number: 756-9203/040-000

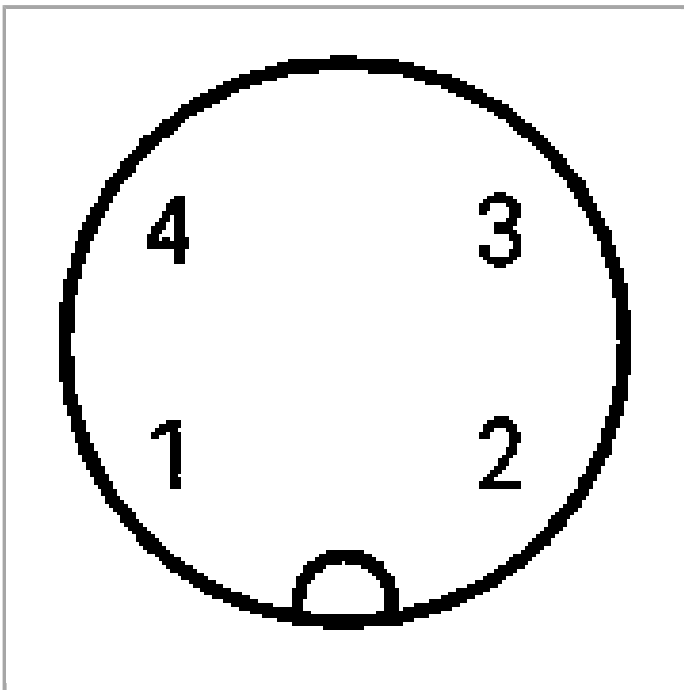
Connectors for sensor/actuator cable; 4-pole; M12 plug, straight

www.wago.com/756-9203/040-000



RoHS Compliant

[BOMcheck.net](https://www.bomcheck.net)



Anschließbare Leitung
Ø 6 ... 8 mm / 0,25 - 0,75 mm²



Data

Technical Data

| | |
|--|----------|
| Connection type | M12 plug |
| No. of poles | 4 |
| Cable connection direction to mating direction | 0° |
| Connector interface coding cable/adapter 1 1 | A coded |

Connection data

| | |
|---------------------|-------------------------------------|
| Connection type (1) | Schraubtechnik |
| Solid conductor | 0.25 ... 0.75 mm ² / ... |

Mechanical data

| | |
|-------------------------------------|------------|
| Connectable sheathed cable diameter | 6 ... 8 mm |
| Weight | 9.999 g |

Environmental Requirements

| | |
|---|---------------|
| Surrounding air (operating) temperature | -25 ... 85 °C |
| Degree of protection | IP67 |

Commercial data

| | |
|--------------------|---------------|
| Country of origin | DE |
| GTIN | 4050821113225 |
| Customs Tariff No. | 85369010000 |

Downloads

Documentation

System Description

| | | | |
|--|--------------|--------|--------------------------|
| 767 Series, SPEEDWAY accessories, data sheet | May 16, 2018 | 1.0 MB | Download |
|--|--------------|--------|--------------------------|

Subject to changes.