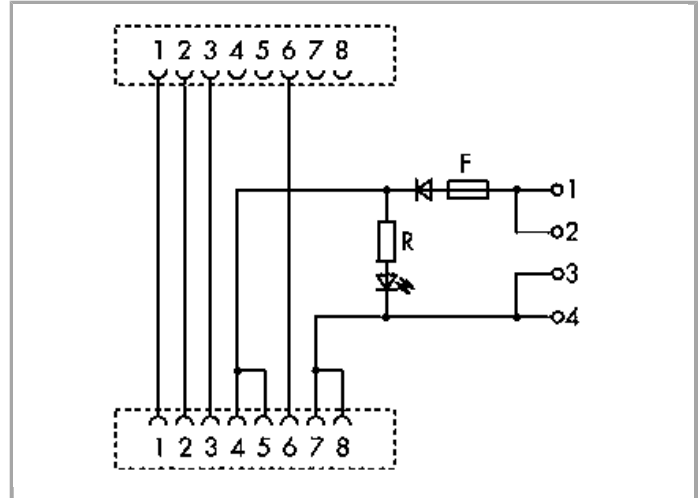
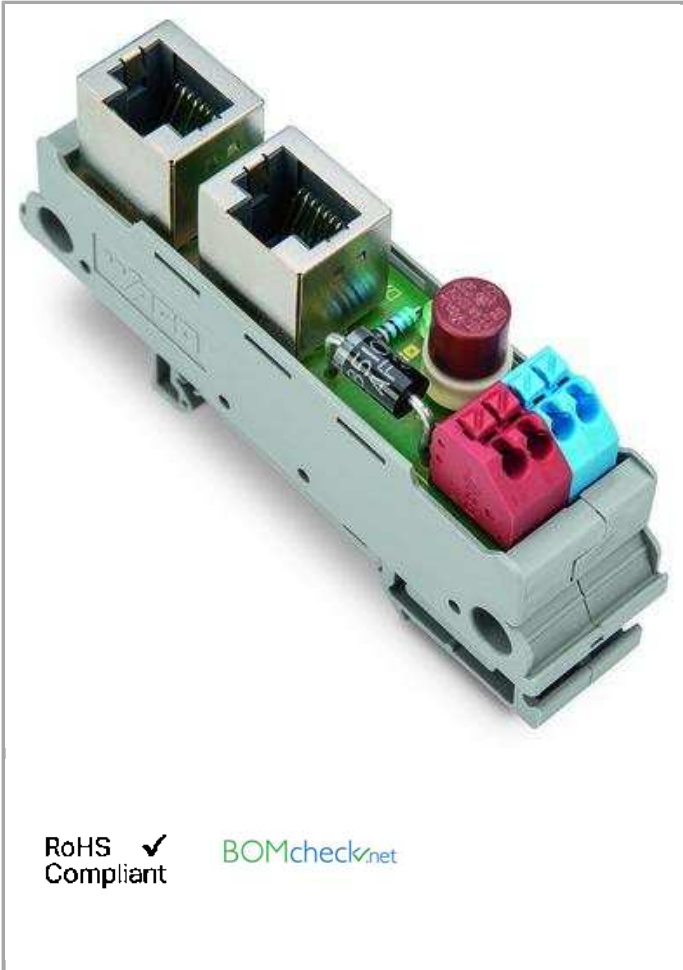


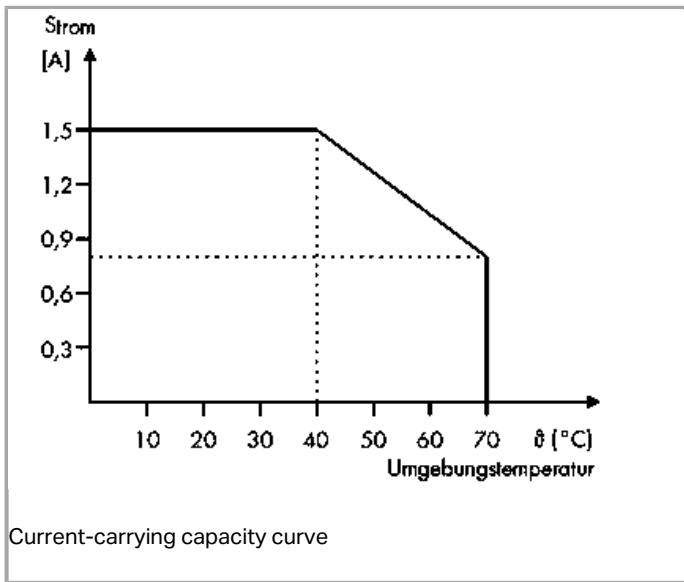
Data sheet | Item number: 289-196

Interface module with RJ-45 connectors; CAGE CLAMP®CONNECTION; with LED; Fused



www.wago.com/289-196





Item description

Features:

- Interface module with RJ-45 connector for ETHERNET
- Passive PoE-injector
- For up to 100 Mbit/s, Cat. 5
- Cabinet wiring with preassembled RJ-45-patch cables

Data

Technical Data

General specifications

Operating voltage	≤ 48 VDC
Current load	1.5 A
Contact resistance (typ.)	20 mΩ
Max. transmission length	100 m
Connecting cable	min. CAT5

Safety and protection:

Dielectric strength contact-contact	1 kV _{rms}
Insulation resistance	> 500 MΩ

Connection data

Connection type (1)	Connectors
Connection technology	Pluggable connector
Connection type (2)	PCB terminal blocks



Connection technology 2	Push-in CAGE CLAMP®
WAGO terminal 2	WAGO 250 Series
Solid conductor (2)	0.2 ... 1.5 mm ² / 24 ... 16 AWG
Fine-stranded conductor (2)	0.2 ... 1.5 mm ² / 24 ... 16 AWG
Strip length (2)	8.5 ... 9.5 mm / 0.33 ... 0.37 Inch
Connector	RJ-45 shielded
Min. mating cycles	500

Geometrical Data

Width	20.5 mm / 0.807 inch
Height from upper-edge of DIN-35 rail	51 mm / 2.007 inch
Depth	85 mm / 3.346 inch

Mechanical data

Type of mounting	DIN-35 rail
------------------	-------------

Material Data

Weight	31.084 g
--------	----------

Environmental Requirements

Surrounding air (operating) temperature	-40 ... 85 °C
Surrounding air (storage) temperature	0 ... 70 °C
Relative humidity	≤ 85 % (non condensing)

Commercial data

Country of origin	DE
GTIN	4055143572637
Customs Tariff No.	85423990000

Downloads

Documentation

Additional Information

Disposal; Electrical and electronic equipment, Packaging	Oct 15, 2018	Download
		265.8 kB



Subject to changes.

WAGO Kontakttechnik GmbH & Co. KG
Hansastr. 27
32423 Minden
Phone: +49571 887-0 | Fax: +49571 887-169
Email: info.de@wago.com | Web: www.wago.com

Do you have any questions about our products?
We are always happy to take your call at +49 (571) 887-44222.