

Connector; for EIB applications

Item No.: 243-211



Connector; for EIB applications

Marking

RoHS ✓
Compliant

Business data

Supplier	WAGO
Item no.	243-211
GTIN / EAN	4044918442831
Content	1
Order amount	50
Customer item number	

Notes

Compact, 4-conductor EIB connector with PUSH WIRE® Simple push-in termination for solid conductors 4-conductor entry allows devices to be replaced without disrupting the EIB bus connection

Technical data

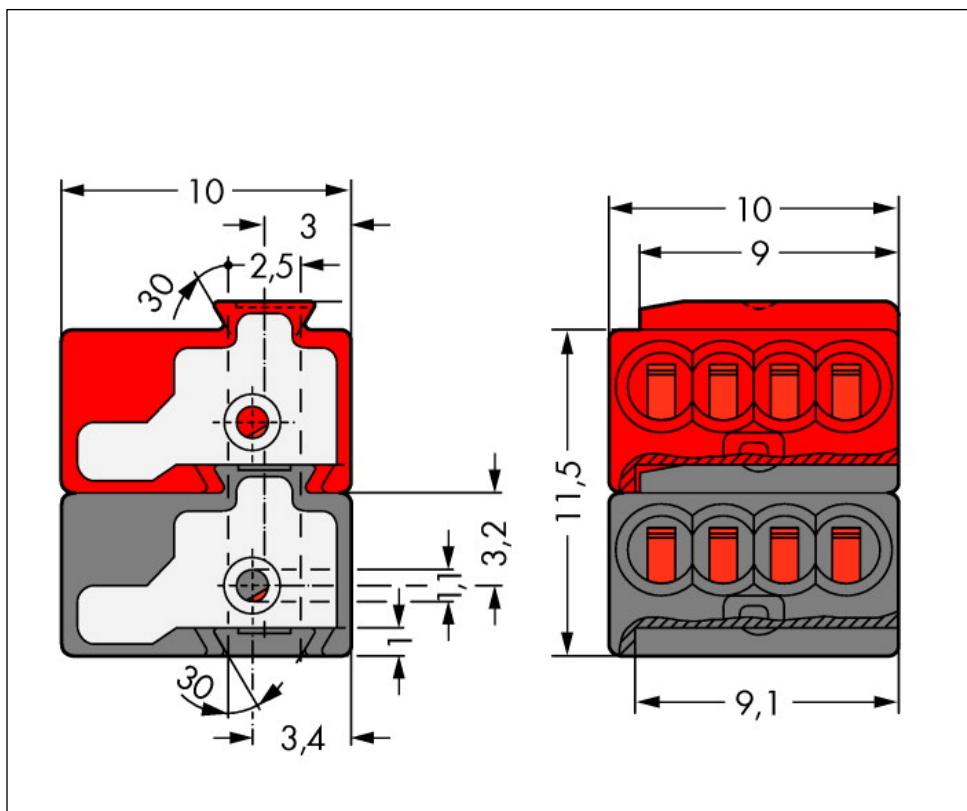
Miscellaneous

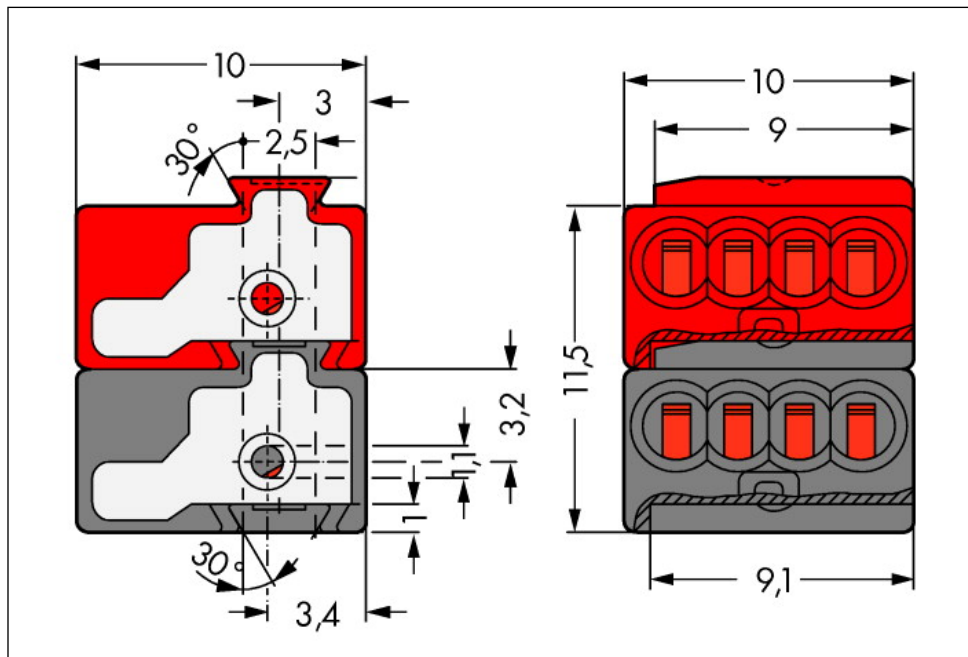
Total number of connection points	8
Total number of potentials	2
Color	dark gray/red
Ratings according to 1	IEC/EN 60664-1
Overvoltage category EN 1	III
Pollution degree (1)	2
Rated voltage EN (1) [V]	100 [V]
Nominal current [A]	6 [A]

Technical data	
Overvoltage category EN 2	II
Degree of pollution (2)	2
Overvoltage category EN 3	III
Degree of pollution (3)	3
Rated voltage EN (3) [V]	250 [V]
Rated surge voltage (3) [kV]	4 [kV]
Nominal current (3) [A]	6 [A]
Diameter from (1) [mm]	0.6 [mm]
Diameter up to (1) [mm]	0.8 [mm]
Cross section from (1) [AWG]	22 [AWG]
Cross section up to (1) [AWG]	20 [AWG]
Cross section up to (2) [AWG]	18 [AWG]
Diameter up to (2) [mm]	1 [mm]
Stripped length from (1) [mm]	5 [mm]
Stripped length up to (1) [mm]	6 [mm]
Strip length from [inch] [in]	0.2 [in]
Strip length up to [inch] [in]	0.24 [in]
Stripped length (1) [in]	0.22 [in]
Type of wiring	Side-entry wiring
Material group	I
Insulating material	Polyamide 6.6 (PA 6.6)
Flammability rating per UL 94	V0
Lower limit temperature [C]	-60 [C]
Upper temperature limit [C]	105 [C]
Clamping spring material	Chrome-nickel spring steel (CrNi)
Contact material	Electrolytic copper (Ecu)
Contact plating	tin-plated
Fire load [MJ]	0.024 [MJ]
Weight [g]	1.6 [g]
Width [mm]	10 [mm]
Width [in]	0.394 [in]
Height [mm]	11.5 [mm]
Height [in]	0.453 [in]
Length [mm]	10 [mm]
Length [in]	0.394 [in]

Approbation					
Item No.	Registration	Registration no.	Voltage [V]	Current [A]	Cross section [mm ² , AWG]
243-211	CSA	18677-31	150	7	22-20

Images & drawings





Address

WAGO Kontakttechnik GmbH & Co. KG

Hansastr. 27

32423 Minden

Telefon: 0571/887-0

Fax: 0571/887-169

<http://www.wago.com>

© WAGO Kontakttechnik GmbH & Co. KG

Technische Änderungen und Irrtümer vorbehalten.