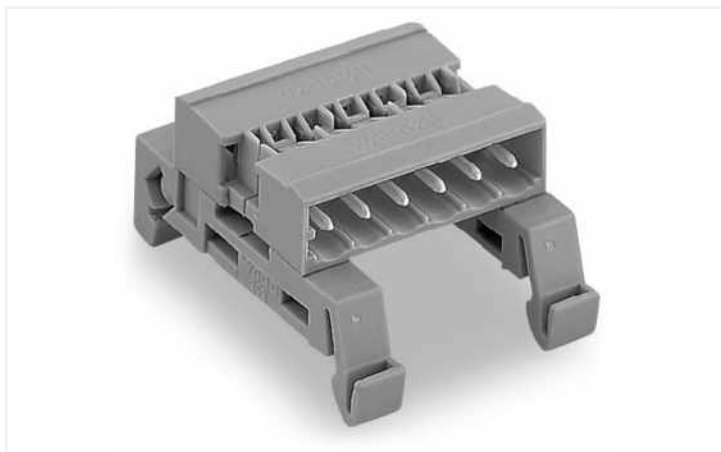


# Data Sheet | Item Number: 232-517/007-000

Double pin header; DIN-35 rail mounting; 17-pole; Pin spacing 5 mm; gray

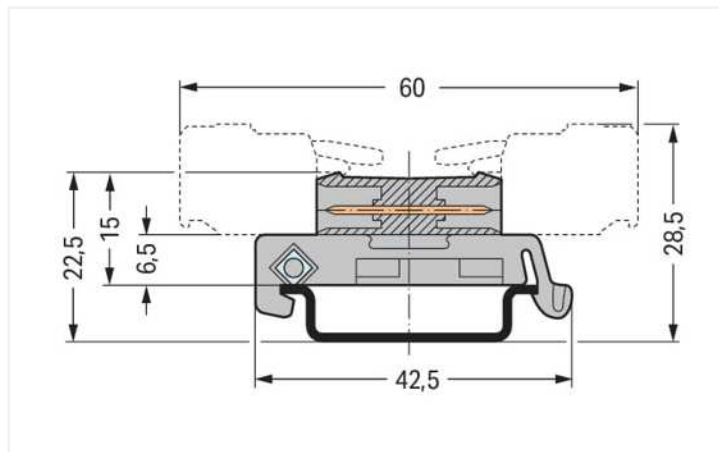


<https://www.wago.com/232-517/007-000>



Color: ■ gray

Similar to illustration



Dimensions in mm

Total length = (pole no. - 1) x pin spacing + 8.2 mm

- Allow MCS Female Connectors fitted with wire harness or cable assembly to be plugged together
- Adapter for DIN-35 rail mounting
- Coding via coding keys on both sides

## Notes

Safety information 1

The MCS – MULTI CONNECTION SYSTEM includes connectors without breaking capacity in accordance with DIN EN 61984. When used as intended, these connectors must not be connected/disconnected when live or under load. When used as intended, these connectors must not be connected/disconnected when live or under load. The circuit design should ensure header pins, which can be touched, are not live when unmated.

Variants:

Other pole numbers

Other versions (or variants) can be requested from WAGO Sales or configured at <https://configurator.wago.com/>.

## Electrical data

### Ratings per IEC/EN

| Ratings per                   | IEC/EN 60664-1  |
|-------------------------------|---|
| Ratings (note)                | Notice: Male connectors must not be live when disconnected! |
| Nominal voltage (III/3)       | 250 V   |
| Rated impulse voltage (III/3) | 4 kV  |
| Rated voltage (III/2)         | 320 V   |
| Rated impulse voltage (III/2) | 4 kV  |
| Nominal voltage (II/2)        | 630 V   |
| Rated surge voltage (II/2)    | 4 kV  |
| Rated current                 | 12 A  |
| Legend (ratings)              | (III / 2) ≙ Overvoltage category III / Pollution degree 2   |

### Ratings per UL 1059

| Approvals per                  | UL 1059 |
|--------------------------------|---------|
| Rated voltage UL (Use Group B) | 300 V   |
| Rated current UL (Use Group B) | 15 A    |
| Rated voltage UL (Use Group D) | 300 V   |
| Rated current UL (Use Group D) | 10 A    |

### Ratings per UL 1977

|                         |       |
|-------------------------|-------|
| Rated voltage (UL 1977) | 600 V |
| Rated current UL 1977   | 15 A  |

### Ratings per CSA

| Approvals per                   | CSA   |
|---------------------------------|-------|
| Rated voltage CSA (Use Group B) | 300 V |
| Rated current CSA (Use Group B) | 15 A  |
| Rated voltage CSA (Use Group D) | 300 V |
| Rated current CSA (Use Group D) | 10 A  |

### Connection data

|                            |    |
|----------------------------|----|
| Total number of potentials | 17 |
| Number of connection types | 1  |
| Number of levels           | 1  |

### Connection 1

|             |    |
|-------------|----|
| Pole number | 17 |
|-------------|----|

### Physical data

|                                    |                        |
|------------------------------------|------------------------|
| Pin spacing                        | 5 mm / 0.197 inches    |
| Width                              | 88.2 mm / 3.472 inches |
| Height                             | 25.9 mm                |
| Height from the surface            | 6.5 mm                 |
| Height from upper-edge of DIN-rail | 15 mm / 0.591 inches   |
| Depth                              | 42.5 mm / 1.673 inches |

### Mechanical Data

|                          |             |
|--------------------------|-------------|
| Variable coding          | Yes         |
| Mounting type            | DIN-35 rail |
| Anti-rotation protection | Yes         |

### Plug-in connection

|                                    |                         |
|------------------------------------|-------------------------|
| Contact type (pluggable connector) | Male connector/plug     |
| Connector (connection type)        | for pluggable connector |
| Mismating protection               | No                      |

### Material Data

|                             |  |
|-----------------------------|--|
| Note (material data)        | <a href="#">Information on material specifications can be found here</a> |
| Color                       | gray   |
| Material group              | I  |
| Insulation material         | Polyamide (PA66)   |
| Flammability class per UL94 | V0   |
| Contact material            | Electrolytic copper (E <sub>Cu</sub> )                                   |
| Contact plating             | Tin  |
| Fire load                   | 0.327 MJ   |
| Weight                      | 15.9 g   |

### Environmental requirements

|                         |                 |
|-------------------------|-----------------|
| Limit temperature range | -60 ... +100 °C |
| Processing temperature  | -35 ... +60 °C  |

### Commercial data

|                       |                        |
|-----------------------|------------------------|
| Product Group         | 3 (Multi Conn. System) |
| eCl@ss 10.0           | 27-14-11-06            |
| eCl@ss 9.0            | 27-14-11-06            |
| ETIM 8.0              | EC001284               |
| ETIM 7.0              | EC001284               |
| PU (SPU)              | 25 pcs                 |
| Packaging type        | Box                    |
| Country of origin     | DE                     |
| GTIN                  | 4045454339609          |
| Customs tariff number | 85366990990            |

Approvals / Certificates

General approvals



| Approval                              | Standard  | Certificate Name |
|---------------------------------------|-----------|------------------|
| CB<br>DEKRA Certification B.V.        | IEC 61984 | NL-39756/A1      |
| CSA<br>DEKRA Certification B.V.       | C22.2     | 1466354          |
| KEMA/KEUR<br>DEKRA Certification B.V. | EN 61984  | 71-121453        |
| UL<br>Underwriters Laboratories Inc.  | UL 1059   | E45172           |
| UR<br>Underwriters Laboratories Inc.  | UL 1977   | E45171           |

Approvals for marine applications



| Approval  | Standard  | Certificate Name  |
|---|-----------|-------------------|
| ABS<br>American Bureau of Ship-<br>ping               | -         | 19-HG15869876-PDA |
| BV<br>Bureau Veritas S.A.                             | IEC 60998 | 11915/D0 BV       |
| DNV GL<br>Det Norske Veritas, Ger-<br>manischer Lloyd | EN 60998  | TAE000016Z        |

Downloads

Environmental Product Compliance

| Compliance Search                                   |   |
|---|---|
| Environmental Product Compliance<br>232-517/007-000 | ↓ |

Documentation

| Additional Information |            |                   |   |
|------------------------|------------|-------------------|---|
| Technical Section      | 03.04.2019 | pdf<br>1949.09 KB | ↓ |

CAD/CAE-Data

| CAD data                        |   |
|---------------------------------|---|
| 2D/3D Models<br>232-517/007-000 | ↓ |

| CAE data                             |   |
|--------------------------------------|---|
| EPLAN Data Portal<br>232-517/007-000 | ↓ |
| ZUKEN Portal<br>232-517/007-000      | ↓ |

## 1 Compatible Products

### 1.1 System counterpart

#### 1.1.1 Female connector/socket



**Item No.: 231-117/026-000**

1-conductor female connector; CAGE CLAMP®; 2.5 mm<sup>2</sup>; Pin spacing 5 mm; 17-pole; 2,50 mm<sup>2</sup>; gray

## 1.2 Optional Accessories

### 1.2.1 Coding

#### 1.2.1.1 Coding



**Item No.: 231-129**

Coding key; snap-on type; light gray

### 1.2.2 DIN-rail

#### 1.2.2.1 Mounting accessories



**Item No.: 210-196**

Aluminum carrier rail; 35 x 8.2 mm; 1.6 mm thick; 2 m long; unslotted; similar to EN 60715; silver-colored



**Item No.: 210-198**

Copper carrier rail; 35 x 15 mm; 2.3 mm thick; 2 m long; unslotted; according to EN 60715; copper-colored



**Item No.: 210-508**

Steel carrier rail; 35 x 15 mm; 1.5 mm thick; 2 m long; slotted; galvanized; similar to EN 60715; silver-colored



**Item No.: 210-197**

Steel carrier rail; 35 x 15 mm; 1.5 mm thick; 2 m long; slotted; similar to EN 60715; silver-colored



**Item No.: 210-506**

Steel carrier rail; 35 x 15 mm; 1.5 mm thick; 2 m long; unslotted; galvanized; similar to EN 60715; silver-colored



**Item No.: 210-114**

Steel carrier rail; 35 x 15 mm; 1.5 mm thick; 2 m long; unslotted; similar to EN 60715; silver-colored



**Item No.: 210-118**

Steel carrier rail; 35 x 15 mm; 2.3 mm thick; 2 m long; unslotted; according to EN 60715; silver-colored



**Item No.: 210-115**

Steel carrier rail; 35 x 7.5 mm; 1 mm thick; 2 m long; slotted; according to EN 60715; "Hole width 18 mm; silver-colored



**Item No.: 210-112**

Steel carrier rail; 35 x 7.5 mm; 1 mm thick; 2 m long; slotted; according to EN 60715; "Hole width 25 mm; silver-colored



**Item No.: 210-504**

Steel carrier rail; 35 x 7.5 mm; 1 mm thick; 2 m long; slotted; galvanized; according to EN 60715; silver-colored



**Item No.: 210-113**

Steel carrier rail; 35 x 7.5 mm; 1 mm thick; 2 m long; unslotted; according to EN 60715; silver-colored



**Item No.: 210-505**

Steel carrier rail; 35 x 7.5 mm; 1 mm thick; 2 m long; unslotted; galvanized; according to EN 60715; silver-colored

## Installation Notes

### Application



Angled female connector – straight female connector