

## Data Sheet | Item Number: 216-414

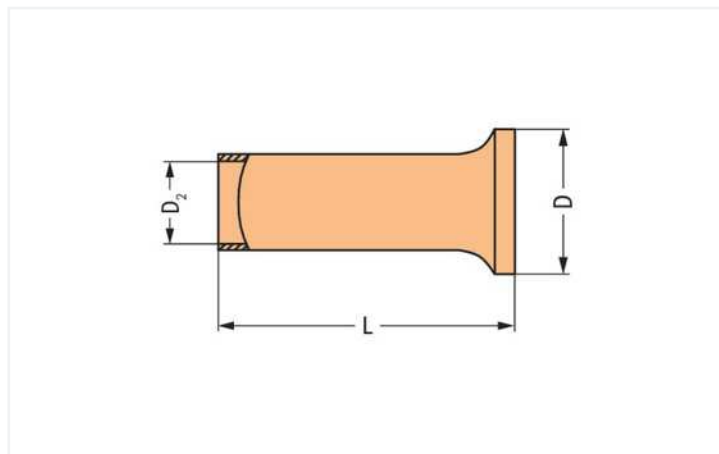
Ferrule; Sleeve for 35 mm<sup>2</sup> / AWG 2; uninsulated; electro-tin plated; electrolytic copper; gastight crimped; acc. to DIN 46228, Part 1/08.92; silver-colored



<https://www.wago.com/216-414>



Color:  silver-colored



Dimensions in mm

### Technical data

Main product function	Ferrule
Sleeve cross-section (AWG)	2 AWG
Sleeve for	35 mm <sup>2</sup>

### Connection data

Strip length	25 mm / 0.98 inches
--------------	---------------------

### Physical data

Length	25 mm
Diameter	11 mm
Diameter 2	8.3 mm

### Material Data

Color	silver-colored
Fire load	0 MJ
Weight	10 g

### Commercial data

Product Group	2 (Terminal Block Accessories)
eCl@ss 10.0	27-40-02-01
eCl@ss 9.0	27-40-02-01
ETIM 8.0	EC000005
ETIM 7.0	EC000005
PU (SPU)	50 pcs
Packaging type	Box
Country of origin	DE
GTIN	4050821134183
Customs tariff number	85369010000

## Downloads

### Environmental Product Compliance

#### Compliance Search

Environmental Product  
Compliance 216-414



## Documentation

### Bid Text

216-414	19.02.2019	xml 2.77 KB	
216-414	11.09.2017	doc 24.00 KB	

## Installation Notes

