

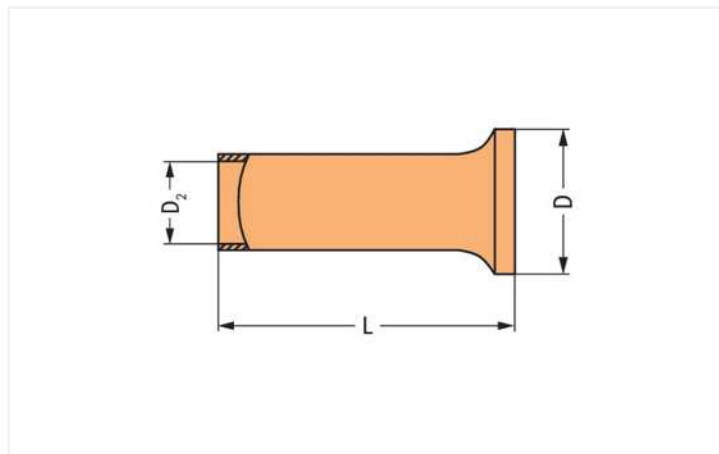
Data Sheet | Item Number: 216-141

Ferrule; Sleeve for 0.5 mm² / 20 AWG; uninsulated; electro-tin plated; electrolytic copper; gastight crimped; acc. to DIN 46228, Part 1/08.92

<https://www.wago.com/216-141>



Similar to illustration



Dimensions in mm

Technical data

Main product function	Ferrule
Sleeve cross-section (AWG)	20 AWG
Sleeve for	0.5 mm ²

Connection data

Strip length	10 mm / 0.39 inches
--------------	---------------------

Physical data

Length	10 mm
Diameter	2.1 mm
Diameter 2	1 mm

Material Data

Fire load	0 MJ
Weight	0 g

Commercial data

Product Group	2 (Terminal Block Accessories)
eCl@ss 10.0	27-40-02-01
eCl@ss 9.0	27-40-02-01
ETIM 8.0	EC000005
ETIM 7.0	EC000005
PU (SPU)	5000 (1000) pcs
Packaging type	Box
Country of origin	DE
GTIN	4044918016353
Customs tariff number	85369010000

Downloads

Environmental Product Compliance

Compliance Search

Environmental Product
Compliance 216-141



Documentation

Bid Text

216-141	19.02.2019	xml 2.87 KB	
216-141	13.06.2017	doc 23.00 KB	

Installation Notes

