

## Data Sheet | Item Number: 216-123

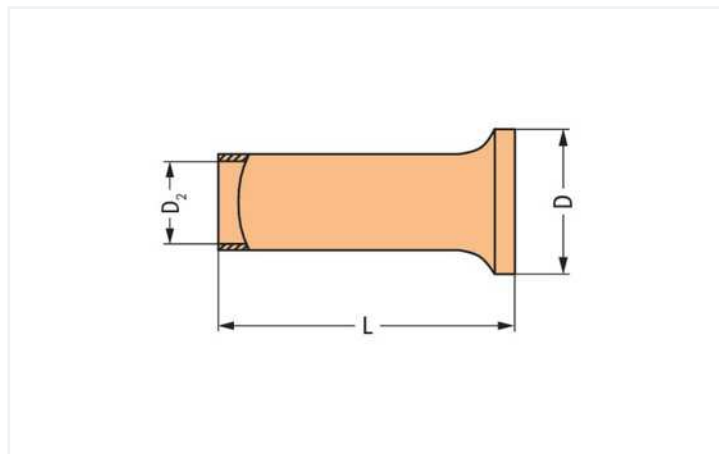
Ferrule; Sleeve for 1 mm<sup>2</sup> / AWG 18; uninsulated; electro-tin plated; silver-colored



<https://www.wago.com/216-123>



Color:  silver-colored



Dimensions in mm

### Technical data

Main product function	Ferrule
Sleeve cross-section (AWG)	18 AWG
Sleeve for	1 mm <sup>2</sup>

### Connection data

Strip length	6 mm / 0.24 inches
--------------	--------------------

### Physical data

Length	6 mm
Diameter	2.5 mm
Diameter 2	1.4 mm

### Material Data

Color	silver-colored
Fire load	0 MJ
Weight	0 g

### Commercial data

Product Group	2 (Terminal Block Accessories)
eCl@ss 10.0	27-40-02-01
eCl@ss 9.0	27-40-02-01
ETIM 8.0	EC000005
ETIM 7.0	EC000005
PU (SPU)	5000 (1000) pcs
Packaging type	Box
Country of origin	DE
GTIN	4017332277648
Customs tariff number	85369010000

## Downloads

### Environmental Product Compliance

#### Compliance Search

Environmental Product Compliance 216-123



## Documentation

### Bid Text

216-123	11.09.2017	doc 24.50 KB	
216-123	19.02.2019	xml 2.77 KB	

## Installation Notes

