

## Female connector; 2-pole; pin spacing 3.5 mm / 0.138 in

Item No.: 2091-1122



Female connector; 2-pole; pin spacing 3.5 mm / 0.138 in

### Marking

RoHS ✓  
Compliant

### Business data

Supplier	WAGO
Item no.	2091-1122
EAN	4050821160755
Content	1
Order amount	200
Customer item number	

### Notes

Universal connection of all conductor types Simple, push-in termination of solid and ferruled conductors Easy-to-use design does not require special tools Ability to wire while mated or unmated Testing parallel to conductor entry – tip contact Also available with gripping plates Integrated locking latches prevent accidental disconnection

### Technical data

#### Miscellaneous

No. of Poles	2
Total number of connection points	2
Total number of potentials	2
Color	light gray
Ratings according to 1	IEC/EN 60664-1
Overvoltage category EN 1	III
Pollution degree (1)	2
Rated voltage EN (1) [V]	160 [V]

<b>Technical data</b>	
Rated surge voltage (1) [kV]	2.5 [kV]
Nominal current [A]	10 [A]
Overvoltage category EN 2	II
Degree of pollution (2)	2
Rated voltage EN (2) [V]	320 [V]
Bemessungsstossspannung (2) [kV]	2.5 [kV]
Nominal current (2) [A]	10 [A]
Overvoltage category EN 3	III
Degree of pollution (3)	3
Rated voltage EN (3) [V]	160 [V]
Rated surge voltage (3) [kV]	2.5 [kV]
Nominal current (3) [A]	10 [A]
Connection technology (1)	CAGE CLAMP® S
Conductor type (1)	solid
Cross section from (1) [mm <sup>2</sup> ]	0.2 [mm <sup>2</sup> ]
Cross section up to (1) [mm <sup>2</sup> ]	1.5 [mm <sup>2</sup> ]
Cross section from (1) [AWG]	24 [AWG]
Cross section up to (1) [AWG]	14 [AWG]
Conductor type (2)	fine-stranded
Cross section from (2) [mm <sup>2</sup> ]	0.2 [mm <sup>2</sup> ]
Cross section up to (2) [mm <sup>2</sup> ]	1.5 [mm <sup>2</sup> ]
Conductor type (3)	fine-stranded (with insulated ferrule)
Cross section from (3) [mm <sup>2</sup> ]	0.25 [mm <sup>2</sup> ]
Cross section up to (3) [mm <sup>2</sup> ]	0.75 [mm <sup>2</sup> ]
Conductor type (4)	fine-stranded (with uninsulated ferrule)
Cross section from (4) [mm <sup>2</sup> ]	0.25 [mm <sup>2</sup> ]
Cross section up to (4) [mm <sup>2</sup> ]	1.5 [mm <sup>2</sup> ]
Stripped length from (1) [mm]	8 [mm]
Stripped length up to (1) [mm]	9 [mm]
Strip length from [inch] [in]	0.31 [in]
Strip length up to [inch] [in]	0.35 [in]
Stripped length (1) [in]	0.33 [in]
Material group	I
Insulating material	Polyphthalamide glass fiber (PPA-GF)
Flammability rating per UL 94	V0

Technical data	
Lower limit temperature [C]	-60 [C]
Upper temperature limit [C]	100 [C]
Clamping spring material	Chrome-nickel spring steel (CrNi)
Contact material	Electrolytic copper (Ecu)
Contact plating	tin-plated
Fire load [MJ]	0.021 [MJ]
Weight [g]	0.891 [g]
Width [mm]	7 [mm]
Width [in]	0.276 [in]
Height [mm]	14 [mm]
Height [in]	0.551 [in]
Length [mm]	11.4 [mm]
Length [in]	0.449 [in]
Pin spacing from [mm]	3.5 [mm]
Pin spacing from [in]	0.138 [in]

Approbation					
Item No.	Registration	Registration no.	Voltage [V]	Current [A]	Cross section [mm <sup>2</sup> , AWG]
2091-1122	CCA	2160211.01	160	10	0.20-1.50
2091-1122	UL	e45171	300	10	
2091-1122	UL	E45172	300	10	24 - 16

### Accessories

Coding		
Item no.	Description	Pack. unit (Sub Pack)
2091-1610	Coding key carrier; suitable for 3.5 mm pin spacing	25

Strain relief		
Item no.	Description	Pack. unit (Sub Pack)
2091-1600	Gripping plate; 2-pole; suitable for 3.5 mm pin spacing	25

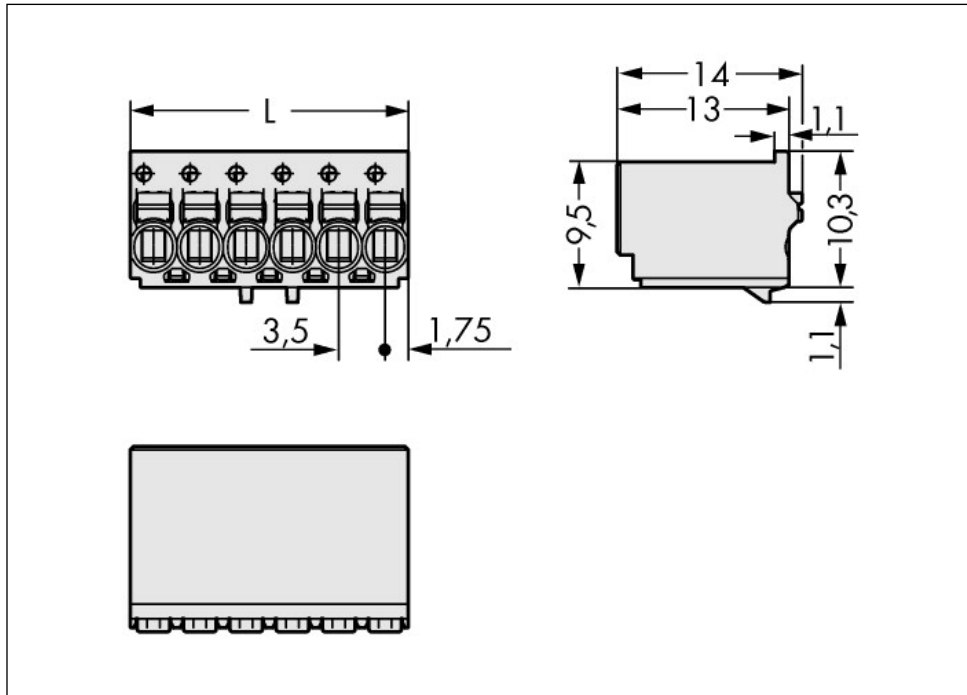
**Accessories**

*General accessory*

Item no.	Description	Pack. unit (Sub Pack)
210-719	Operating tool with partially insulated shaft; Type 1, blade (2.5 x 0.4) mm; suitable for 279, 726, 727, 2000, 2001 and 2020 series	1

Images & drawings





#### Address

WAGO Kontakttechnik GmbH & Co. KG

Hansastr. 27

32423 Minden

Telefon: 0571/887-0

Fax: 0571/887-169

<http://www.wago.com>

© WAGO Kontakttechnik GmbH & Co. KG

Technische Änderungen und Irrtümer vorbehalten.