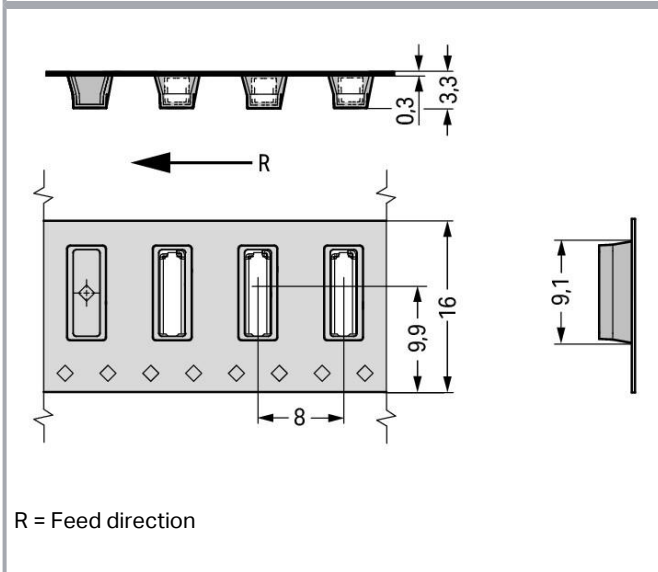
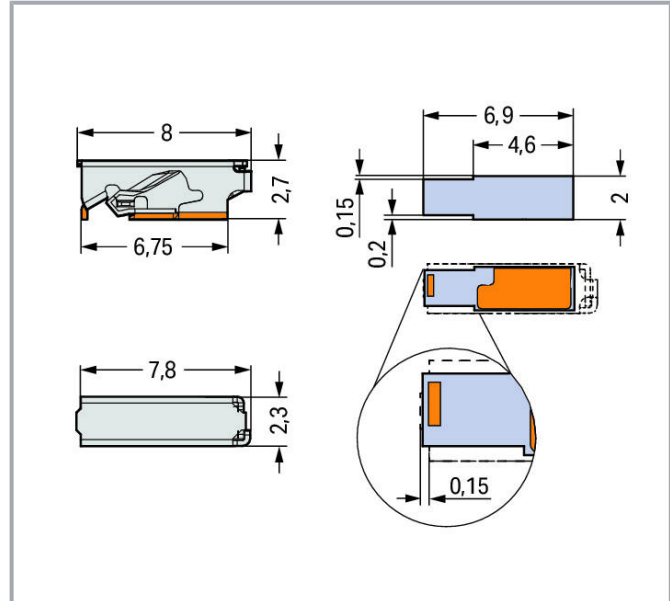
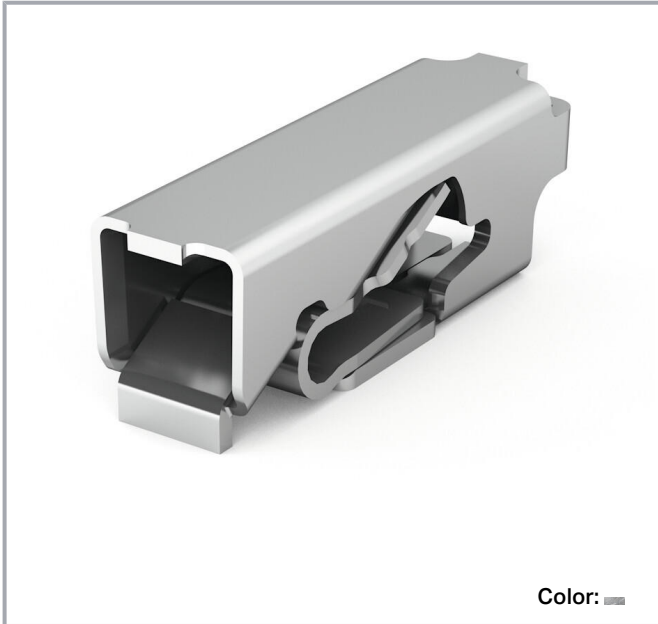


Data sheet | Item number: 2065-101/998-403

SMD PCB terminal block; 0.75 mm<sup>2</sup>; Pin spacing 6 mm; 1-pole; PUSH WIRE®; in tape-and-reel packaging; Without housing; 0,75 mm<sup>2</sup>; silver-colored



[www.wago.com/2065-101\\_998-403](http://www.wago.com/2065-101_998-403)



Item description

- SMD PCB terminal block with PUSH WIRE® connection technology

Subject to changes. Please also observe the further product documentation!

WAGO Kontakttechnik GmbH & Co. KG  
Hansastr. 27  
32423 Minden  
Phone: +49571 887-0 | Fax: +49571 887-169  
Email: [info.de@wago.com](mailto:info.de@wago.com) | Web: [www.wago.com](http://www.wago.com)

Do you have any questions about our products?  
We are always happy to take your call at +49 (571) 887-44222.



- Push-in termination of solid conductors
- Height of just 2.7 mm
- Available in tape-and-reel packaging for automated assembly

**Note:**

The ratings are based on an example pin spacing of 6 mm.

The layout must meet the requirements of the insulation coordination standard EN/IEC 60664-1 and applicable end product standards.

**Safety information 1:**

**NOTE: Terminal block without insulation housing! Protection against accidental contact must be provided at voltages higher than low voltages (e. g., SELV/PELV) for the relevant application.**

**Data****Electrical data****Ratings per IEC/EN**

Ratings per	IEC/EN 60664-1
Nominal voltage (III/3)	250 V
Rated voltage (III/2)	320 V
Rated surge voltage (III/2)	4 kV
Nominal voltage (II/2)	630 V
Rated surge voltage (II/2)	4 kV
Rated current	9 A
Legend (ratings)	(III / 2) $\hat{=}$ Overvoltage category III / Pollution degree 2

**Ratings per UL**

Rated voltage UL 1977	600 V
Rated current UL 1977	9 A

**Connection data**

Connection technology	PUSH WIRE <sup>®</sup>
Actuation type	Push-in
Solid conductor	0.2 ... 0.75 mm <sup>2</sup> / 24 ... 18 AWG
Strip length	7.5 ... 9.5 mm / 0.3 ... 0.37 inch
Conductor connection direction to PCB	0°
Pole No.	1
Total number of connection points	1
Total number of potentials	1

Subject to changes. Please also observe the further product documentation!



Number of connection types	1
Number of levels	1

**Physical data**

Pin spacing	6 mm / 0.236 inch
Width	2.3 mm / 0.091 inch
Height	2.7 mm / 0.106 inch
Depth	8 mm / 0.315 inch
Reel diameter of tape-and-reel packaging	330 mm
Tape width	16 mm

**PCB contact**

PCB Contact	SMD
-------------	-----

**Material data**

Color	silver-colored
Clamping spring material	Chrome nickel spring steel (CrNi)
Contact material	Copper alloy
Contact plating	tin-plated
Weight	0.1 g

**Environmental requirements**

Limit temperature range	-60 ... +120 °C
-------------------------	-----------------



**Commercial data**

Packaging type	BOX
Country of origin	CH
GTIN	4055143665438
Customs tariff number	85369010000


**Approvals / Certificates****Country specific Approvals**

Logo	Approval	Additional Approval Text	Certificate name
	<b>CB</b> DEKRA Certification B.V.	EN 60947-7-4	NL-49896 (IEC 60947-7-

Subject to changes. Please also observe the further product documentation!



4:2013)			
	KEMA/KEUR DEKRA Certification B.V.	EN 60947-7-4	71- 102154
	KEMA/KEUR DEKRA Certification B.V.	EN 60998	71- 102159

**UL-Approvals**

Logo	Approval	Additional Approval Text	Certificate name
	UR Underwriters Laboratories Inc.	UL 1977	E45171 sec. 25

**Compatible products**

**General accessories**

	<b>Item no.: 2065-131</b> Board-to-Board Link; Pin spacing 6.5 mm; Length: 15.6 mm; silver-colored	<a href="http://www.wago.com/2065-131">www.wago.com/2065-131</a>
	<b>Item no.: 2065-133</b> Board-to-Board Link; Pin spacing 6.5 mm; Length: 17.6 mm; silver-colored	<a href="http://www.wago.com/2065-133">www.wago.com/2065-133</a>

**Downloads**

**Documentation**

**Additional Information**

Technical explanations	2019 Apr 3	pdf 2.0 MB	Download
------------------------	------------	---------------	----------

**CAD/CAE-Data**

**CAD data**

2D/3D Models 2065-101/998-403	URL	Download
-------------------------------	-----	----------

**PCB Design**

Symbol and Footprint 2065-101/998-403	URL	Download
---------------------------------------	-----	----------

Subject to changes. Please also observe the further product documentation!

WAGO Kontakttechnik GmbH & Co. KG  
 Hansastr. 27  
 32423 Minden  
 Phone: +49571 887-0 | Fax: +49571 887-169  
 Email: [info.de@wago.com](mailto:info.de@wago.com) | Web: [www.wago.com](http://www.wago.com)

Do you have any questions about our products?  
 We are always happy to take your call at +49 (571) 887-44222.



CAX data for your PCB design, consisting of "schematic symbols and PCB footprints", allow easy integration of the WAGO component into your development environment.

**Supported formats:**

- Accel EDA 14 & 15
- Altium 6 to current version
- Cadence Allegro
- DesignSpark
- Eagle Libraries
- KiCad
- Mentor Graphics BoardStation
- Mentor Graphics Design Architect
- Mentor Graphics Design Expedition 99 and 2000
- OrCAD 9.X PCB and Capture
- PADS PowerPCB 3, 3.5, 4.X, and 5.X
- PADS PowerPCB and PowerLogic 3.0
- PCAD 2000, 2001, 2002, 2004, and 2006
- Pulsonix 8.5 or newer
- STL
- 3D STEP
- TARGET 3001!
- View Logic ViewDraw
- Quadcept
- Zuken CadStar 3 and 4
- Zuken CR-5000 and CR-8000

PCB Component Libraries (EDA), PCB CAD Library Ultra Librarian

---

**CAE data**

ZUKEN Portal 2065-101/998-403	<a href="#">URL</a>	<a href="#">Download</a>
-------------------------------	---------------------	--------------------------

---

**Environmental Product Compliance**

**Compliance Search**

Environmental Product Compliance 2065-101/998-403 SMD PCB terminal block; 0.75 mm <sup>2</sup> ; Pin spacing 6 mm; 1-pole; PUSH WIRE®; in tape- and-reel packaging; Without housing; 0,75 mm <sup>2</sup> ; silver-colored	<a href="#">URL</a>	<a href="#">Download</a>
--	---------------------	--------------------------

---

Subject to changes. Please also observe the further product documentation!

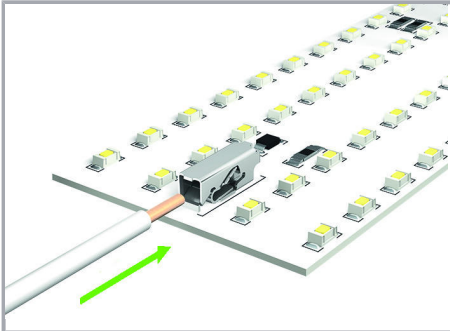
---

WAGO Kontakttechnik GmbH & Co. KG  
Hansastr. 27  
32423 Minden  
Phone: +49571 887-0 | Fax: +49571 887-169  
Email: [info.de@wago.com](mailto:info.de@wago.com) | Web: [www.wago.com](http://www.wago.com)

Do you have any questions about our products?  
We are always happy to take your call at +49 (571) 887-44222.

## Installation Notes

### Conductor termination



PUSH WIRE® version without push-buttons:  
Even more space savings when using  
exclusively solid conductors

Subject to changes. Please also observe the further product documentation!