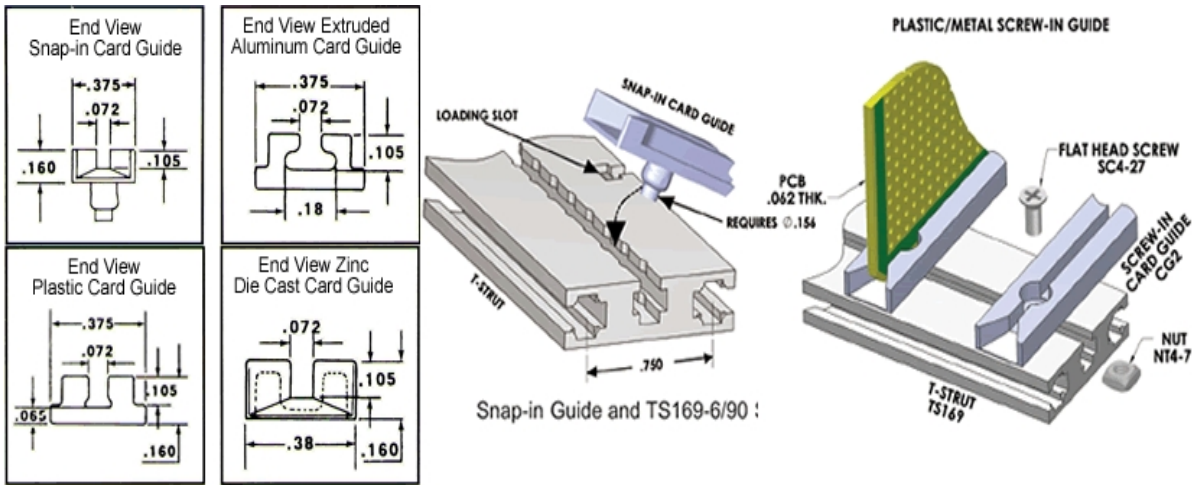




▶ **CG2 Series Card Guides for EIA Subracks and VectorPak System** ▶

Part No.	Type	Length		Card Length	Application
		A	B		
CG2-45P	Plastic, Screw-in	2.89"	2.25"	4.50"	
CG2-45S	Nylon, Snap-in	3.17"	2.25"	4.50"	
CG2-50P	Plastic, Screw-in	4.39"	3.75"	5.00"	
CG2-65M	Metal, Screw-in	5.42"	4.50"	6.50"	
CG2-65P	Plastic, Screw-in	5.42"	4.50"	6.50"	
CG2-65S	Nylon, Snap-in	5.42"	4.50"	6.50"	
CG2-80P	Plastic, Screw-in	6.64"	6.00"	8.00"	
CG2-80S	Nylon, Snap-in	6.93"	7.50"	8.00"	
CG2-95M	Metal, Screw-in	8.14"	7.50"	9.50"	
CG2-95P	Plastic, Screw-in	8.14"	7.50"	9.50"	
CG2-95S	Nylon, Snap-in	8.43"	7.50"	9.50"	

▶ **Card Guides Detail** ▶



▶ **Description** ▶

- ▶ High quality Snap-in card guides feature tapered slots for easy insertion and removal without tools.
- ▶ Snap-in card guide can be positioned at 0.25" increments when used with Vector-Pak T-struts (TS169-6/90).
- ▶ Holes for mounting guides to struts are based on center-to-center multiples of 0.75".
- ▶ Screw mounted models are available in metal or plastic { installation hardware included }
- ▶ Screw mounted metal or plastic card guides provide variable positioning along entire length of strut.
- ▶ Metal or plastic screw down card guides attach with SC4-27/25 flat head screw and NT4-7PA square nut as shown in drawing.
- ▶ All materials are flame retardant..

email us your Requirements : inquire@vectorelect.com

11115 Vanowen St., North Hollywood, CA - 91605, USA / Tel: (818) 985 8208, (800) 423 5659; Fax: (818) 985 7708

Circbord®, Vectorbord® and VectorPak® are registered trademarks of Vector Electronics & Technology, Inc.
CompactPCI® is a registered trademark of PCIMG. © 2001 Vector Electronics & Technology, Inc. - All Rights Reserved
webmaster@vectorelect.com