



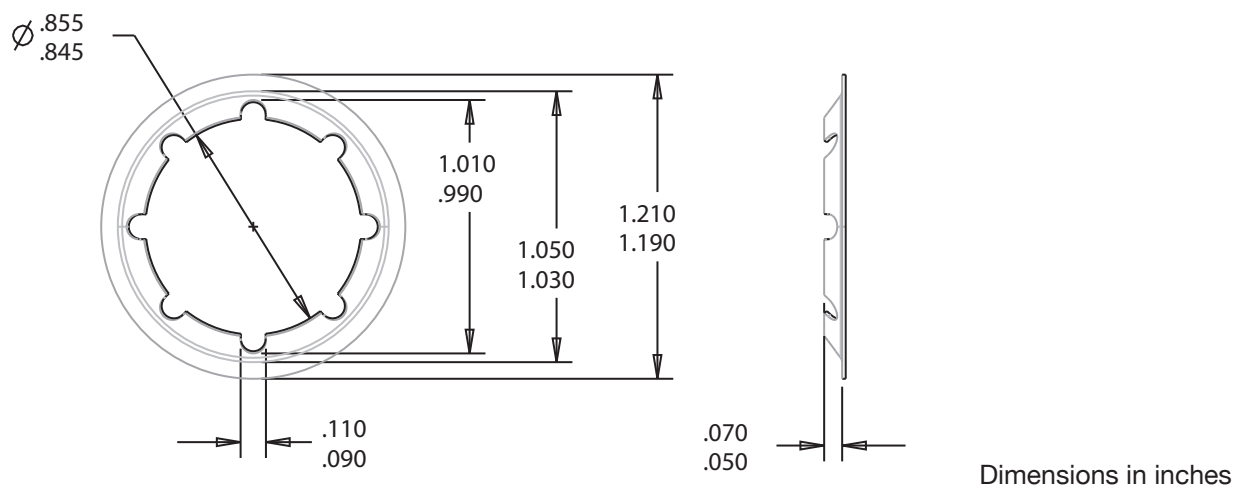
SN2089 Speed Nut for Panel Mount Indicator

Speed Nut secures the panel mount indicator in place.
For use with 2620 and 2622 Series

Key Features

- One piece, self-locking, heat-treated, spring-steel fastener that replaces threaded nut, lock washer or spanner washer
- Eliminates time-consuming assembly operations.
- Fast and easy to apply, the speed nut fastener provides maximum holding power at minimum cost per fastener
- It does not shake loose from vibration, yet can be easily loosened without worry about rust-frozen screw threads.

Product Dimensions



Product Specifications

Material	
Speed Nut (one piece)	Spring Steel

Installation Specification	
Internal Diameter	$0.850'' \pm 0.005''$ ($21.6\text{mm} \pm 0.1\text{mm}$)

Compliances and Approvals

