



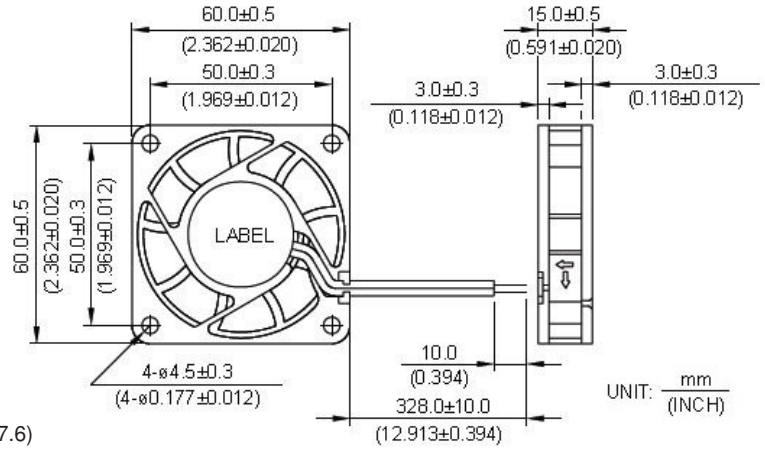
USTF6015 Series

Size: 2.36 in sq. x 0.59 in. thk
(60mm sq. x 15mm thk.)

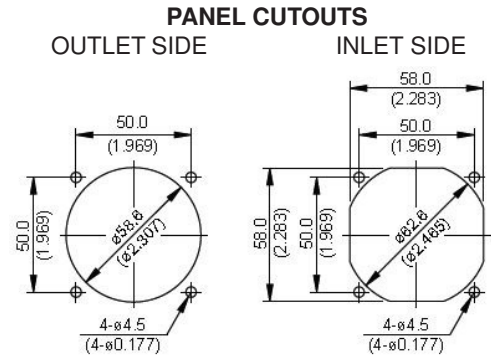
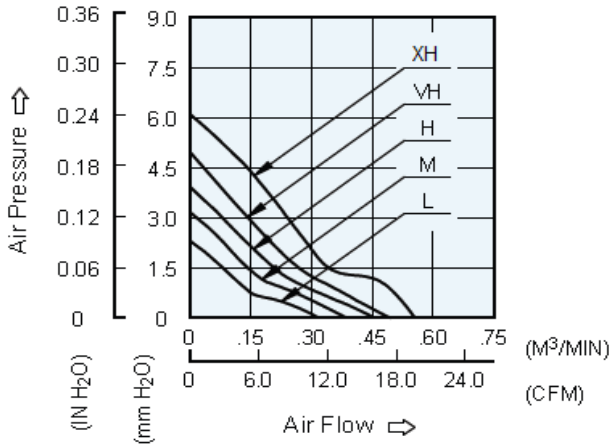
Airflow: 11.5 - 19.4 CFM

Acoustical Noise: 24.0 - 37.0 dB (A)

- MATERIAL:** Frame - Black PBT (UL 94V-0)
Bearings - Ball
Impeller - Black PBT (UL 94V-0)
- WEIGHT:** 1.55 oz. (44g)
- TERMINATION:** Lead Wires (UL 1007, AWG24 or equivalent)
- OPERATION TEMPERATURE:** -10° to +70° C
- INSULATION RESISTANCE:** 10 megohms min @ 500 VDC
- DIELECTRIC STRENGTH:** 500 VAC for 1 min.
- INSULATION:** Class A
- SAFETY:** Impedance & Polarity Protected
- SAFETY APPROVALS:** UL, CSA & CE
- OPERATING VOLTAGE:** 12 VDC (7 to 13.8) 24 VDC (14 to 27.6)



PERFORMANCE CURVES: (Obtained with test chamber and methods in accordance with AMCA Std. 210-74)



SPECIFICATIONS: (All values are typical)

*Amps values shown are typical running. Fan labels show higher max values

PART NUMBER	VOLTS	WATTS	AMPS *	RPM	NOISE dB (A) @ 1M	CFM
USTF601512XHW	12VDC	1.92	0.16	5000	37.0	19.4
USTF601512VHW	12VDC	1.44	0.12	4500	35.0	17.3
USTF601512HW	12VDC	1.20	0.10	4000	32.0	15.4
USTF601512MW	12VDC	0.96	0.08	3500	29.0	13.4
USTF601512LW	12VDC	0.84	0.07	3000	24.0	11.5
USTF601524XHW	24VDC	2.64	0.11	5000	37.0	19.4
USTF601524VHW	24VDC	2.40	0.10	4500	35.0	17.3
USTF601524HW	24VDC	1.92	0.08	4000	32.0	15.4
USTF601524MW	24VDC	1.44	0.06	3500	29.0	13.4
USTF601524LW	24VDC	0.96	0.04	3000	24.0	11.5

MODELS AVAILABLE ON REQUEST:

Failure Detector - rotation sensing - Add Suffix "SR" to part number
Speed Controller - tach output - Add Suffix "SF" to part number