

DASH NO	TABLE 1
-1	TERM (NO CHAIN)
-2	TERM WITH 2.5 BRASS CHAIN
-3	TERM WITH 2.5 NYLON CHAIN
-4	TERM WITH 3.0 BRASS CHAIN
-5	TERM WITH 3.0 NYLON CHAIN
-6	TERM WITH 6.0 BRASS CHAIN
-7	TERM WITH 6.0 NYLON CHAIN
-8	TERM WITH 4.0 BRASS CHAIN
-9	TERM WITH 4.0 NYLON CHAIN
-10	TERM WITH 10.0 BRASS CHAIN
-11	TERM WITH 10.0 NYLON CHAIN
-12	TERM WITH 2.5 SST ROPE
-13	TERM WITH 3.0 SST ROPE
-14	TERM WITH 6.0 SST ROPE
-15	TERM WITH 4.0 SST ROPE
-16	TERM WITH 7.0 SST ROPE

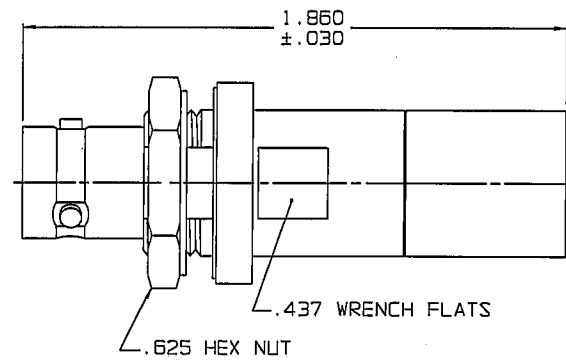
TABLE 2		
MODEL NO	LTR CODE	TYPE
TNGBJ1		3-LUG
TNGBJFL1	A	4-LUG
TNGBJTL1	B	2-LUG

TABLE 3				
DASH NO	"A" DIA	"B" DIA	"C" DIM	"D" DIM
-01	0.755	0.875	1.191	0.513
-02	0.630	0.750	1.066	0.450
-03	0.505	0.625	0.941	0.388
-04	0.439	0.562	0.878	0.356
-05	0.380	0.500	0.816	0.325
-06	0.317	0.437	0.753	0.294
-07	0.281	0.406	0.722	0.278
-08	0.610	0.750	1.066	0.450
-008	0.330	0.450	0.766	0.300
-09	0.567	0.687	1.003	0.419
-D10	0.192	0.312	0.628	0.231
-D11	1.005	1.125	1.441	0.638

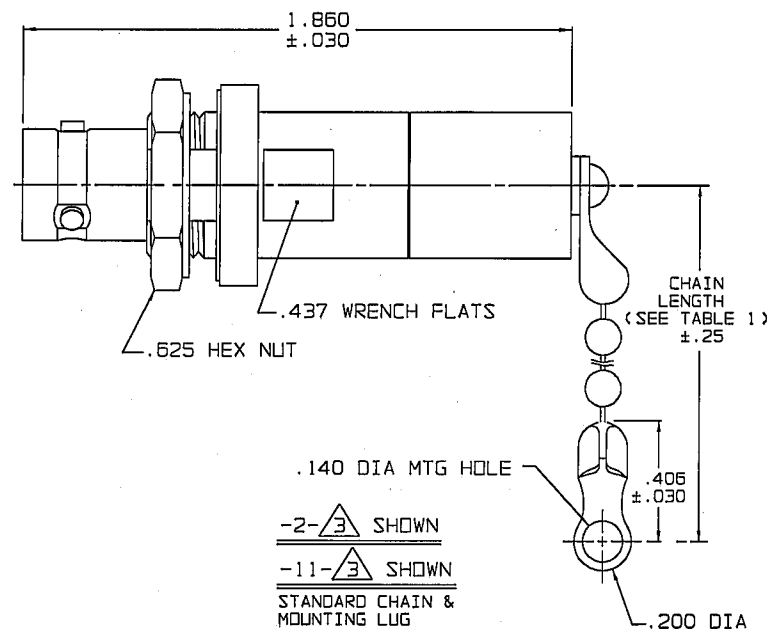
DATA CONTAINED IN THIS DOCUMENT IS PROPRIETARY TO TROMPETER ELECTRONICS INC. AND SHALL NOT BE DISCLOSED, COPIED OR USED FOR PROCUREMENT OR MANUFACTURE WITHOUT EXPRESS WRITTEN PERMISSION OF TROMPETER ELECTRONICS, INC.

REVISIONS		305-0404	SH 1
REV	DESCRIPTION	DATE	APPROVED
K	REVISED PER ECO 14574	6-10-02	AM

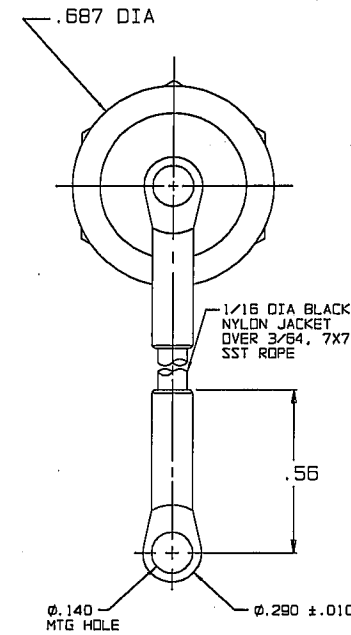
RED INDICATES ORIGINAL



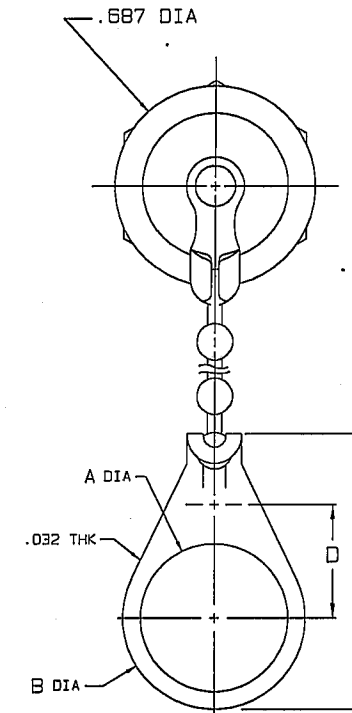
-1- Δ SHOWN
NO CHAIN/ROPE OR MOUNTING LUG



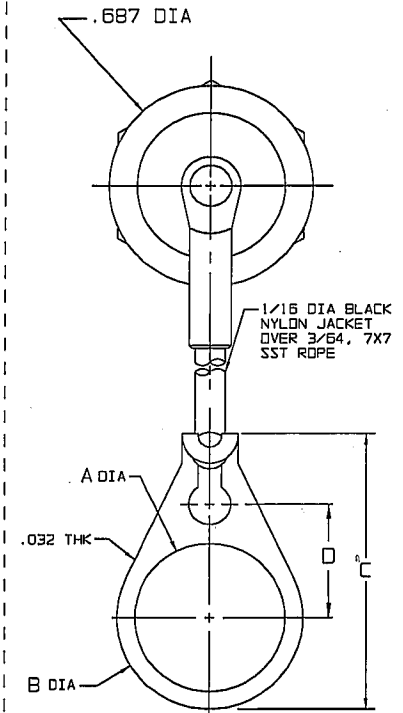
-2- Δ SHOWN
-11- Δ SHOWN
STANDARD CHAIN & MOUNTING LUG



-12- Δ THRU
-16- Δ SHOWN
STAINLESS STEEL ROPE AND MOUNTING LUG



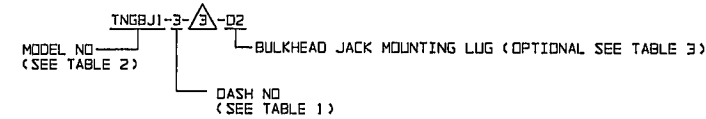
-2- Δ -02 THRU
-11- Δ -D11 SHOWN
STANDARD CHAIN AND BULKHEAD JACK MOUNTING LUG



-12- Δ -D2 THRU
-16- Δ -D11 SHOWN
STAINLESS STEEL ROPE AND BULKHEAD JACK MOUNTING LUG

6. MAX PANEL THK .109

5. EXAMPLE OF COMPLETE MODEL NO:

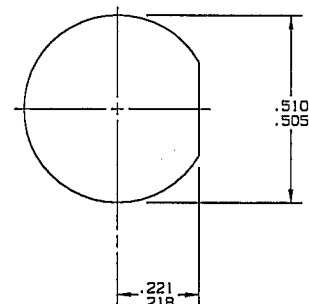


4. 2,3 & 4-LUG TERMINATED CONCENTRIC TRIAX NON-INSULATED BULKHEAD MOUNT JACK WITH CHAIN & SST ROPE OPTIONS

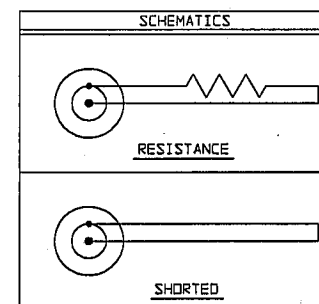
Δ RESISTANCE VALUE IN OHMS (1/2 W, 1%) S=CONTACT SHORTED TO SHIELD (NO RESISTOR)

2. FINISH: TFS-1A (NICKEL)

1. ALL DIMENSIONS ARE IN INCHES



RECOMMENDED PANEL CUTOUT



INTERPRET DRAWING PER MIL-STD-100 DIMENSIONS ARE IN INCHES AND INCLUDE FINISH THICKNESS UNLESS OTHERWISE SPECIFIED	TOL: UNLESS SPECIFIED .XX ±.03 .XXX ±.005 .XXXX		TITLE: TNGBJ1/TNGBJFL1/TNGBJTL1
DRAWN: AAH DATE: 6-5-02	MATERIAL:		SIZE: B CAGE CODE: 14949
REVISIONS: 6-10-02	FINISH:	DRAWING NO.: 305-0404	REV.: K
QUALITY: 6-10-02	APPROVED: 6/10/02	SCALE: NONE	DATE: 1-23-80
HAND: 6/10/02	APPROVED: 6/10/02	SCALE: NONE	SHEET: 1C
APPROVED: 6/10/02	APPROVED: 6/10/02	SCALE: NONE	SHEET: 1C
APPROVED: 6/10/02	APPROVED: 6/10/02	SCALE: NONE	SHEET: 1C

[Search](#) | [Parts Entry](#) | **[Product Category](#)** | [Product Selection](#) | [View Cart](#) | [Check Out](#) | [Log In](#) | [Log Off](#)

Welcome

Trompeter Electronics 480-985-9000 - Toll Free: 800-778-4401 or sales@trompeter.com

Click on a Product Category to Select or Use the Search Tab to Find Part Number

Use Tabs to Navigate, Do Not Use Your Browser's Back Button



Telco BNC 75 ohm Plugs



Cable Jacks



Installation Tools



Cable Assemblies



PCB Jacks



Adapters



DS3 Central Office Products



Patch Cord Products



DS3 Outside Plant & Premise



Broadcast 75 ohm BNC Plugs



Video Patchjacks



Bulk Cable



Terminations



Twinax-Triax Products



Misc + All Other



[Search](#) |
 [Parts Entry](#) |
 [Product Category](#) |
 [Product Selection](#) |
 [View Cart](#) |
 [Check Out](#) |
 [Log In](#) |
 [Log Off](#)

Current Selected Criteria: Part Number Beginning With "TNGBJTL1-1-75"

When placing an order for bulk cable in lengths other than /100, /200, /500, and /1000 ft a \$10 cutting charge per length will be added to your order by the factory

Add to Cart Instructions: Enter A Quantity Then Click on the View Cart or Checkout Tabs

[< Go Back](#)

*Click on Highlighted Part Number to View Engineering PDF Specs **Historical shipping history on this part for most recent months is XX days

Part Number	Description	ITAR	RoHS	Usually Ships In**	View Discounts	Quote	Price	Buy Quantity
TNGBJTL1-1-75	TERMINATION	Y	RoHS-5	30 DAYS	View Discounts	Quote	\$53.72	



[Search](#) |
 [Parts Entry](#) |
 [Product Category](#) |
 [Product Selection](#) |
 [View Cart](#) |
 [Check Out](#) |
 [Log In](#) |
 [Log Off](#)

Current Selected Criteria: Part Number Beginning With "TNGBJTL1-1-50"

When placing an order for bulk cable in lengths other than /100, /200, /500, and /1000 ft a \$10 cutting charge per length will be added to your order by the factory

Add to Cart Instructions: Enter A Quantity Then Click on the View Cart or Checkout Tabs

[< Go Back](#)

*Click on Highlighted Part Number to View Engineering PDF Specs **Historical shipping history on this part for most recent months is XX days

Part Number	Description	ITAR	RoHS	Usually Ships In**	View Discounts	Quote	Price	Buy Quantity
TNGBJTL1-1-50	TERMINATION	Y	RoHS-5	30 DAYS	View Discounts	Quote	\$53.72	



[Search](#) |
 [Parts Entry](#) |
 [Product Category](#) |
 [Product Selection](#) |
 [View Cart](#) |
 [Check Out](#) |
 [Log In](#) |
 [Log Off](#)

Current Selected Criteria: Part Number Beginning With "TNGBJTL1-1-100"

When placing an order for bulk cable in lengths other than /100, /200, /500, and /1000 ft a \$10 cutting charge per length will be added to your order by the factory

Add to Cart Instructions: Enter A Quantity Then Click on the View Cart or Checkout Tabs

[< Go Back](#)

*Click on Highlighted Part Number to View Engineering PDF Specs **Historical shipping history on this part for most recent months is XX days

Part Number	Description	ITAR	RoHS	Usually Ships In**	View Discounts	Quote	Price	Buy Quantity
TNGBJTL1-1-100	TERMINATION	Y	RoHS-5	30 DAYS	View Discounts	Quote	\$53.72	



[Search](#) |
 [Parts Entry](#) |
 [Product Category](#) |
 [Product Selection](#) |
 [View Cart](#) |
 [Check Out](#) |
 [Log In](#) |
 [Log Off](#)

Current Selected Criteria: Part Number Beginning With "TNGBJFL1-1-78"

When placing an order for bulk cable in lengths other than /100, /200, /500, and /1000 ft a \$10 cutting charge per length will be added to your order by the factory

Add to Cart Instructions: Enter A Quantity Then Click on the View Cart or Checkout Tabs

[< Go Back](#)

*Click on Highlighted Part Number to View Engineering PDF Specs **Historical shipping history on this part for most recent months is XX days

Part Number	Description	ITAR	RoHS	Usually Ships In**	View Discounts	Quote	Price	Buy Quantity
TNGBJFL1-1-78	TERMINATION	Y	RoHS-5	30 DAYS	View Discounts	Quote	\$42.15	

[Search](#) |
 [Parts Entry](#) |
 [Product Category](#) |
 [Product Selection](#) |
 [View Cart](#) |
 [Check Out](#) |
 [Log In](#) |
 [Log Off](#)

Current Selected Criteria: Part Number Beginning With "TNGBJFL1-1-127"

When placing an order for bulk cable in lengths other than /100, /200, /500, and /1000 ft a \$10 cutting charge per length will be added to your order by the factory

Add to Cart Instructions: Enter A Quantity Then Click on the View Cart or Checkout Tabs

[< Go Back](#)

*Click on Highlighted Part Number to View Engineering PDF Specs **Historical shipping history on this part for most recent months is XX days

Part Number	Description	ITAR	RoHS	Usually Ships In**	View Discounts	Quote	Price	Buy Quantity
TNGBJFL1-1-127	TERMINATION	Y	Non-Compliant	30 DAYS	View Discounts	Quote	\$42.15	



[Search](#) |
 [Parts Entry](#) |
 [Product Category](#) |
 [Product Selection](#) |
 [View Cart](#) |
 [Check Out](#) |
 [Log In](#) |
 [Log Off](#)

Current Selected Criteria: Part Number Beginning With "TNGBJFL1-1-124"

When placing an order for bulk cable in lengths other than /100, /200, /500, and /1000 ft a \$10 cutting charge per length will be added to your order by the factory

Add to Cart Instructions: Enter A Quantity Then Click on the View Cart or Checkout Tabs

[< Go Back](#)

*Click on Highlighted Part Number to View Engineering PDF Specs **Historical shipping history on this part for most recent months is XX days

Part Number	Description	ITAR	RoHS	Usually Ships In**	View Discounts	Quote	Price	Buy Quantity
TNGBJFL1-1-124	TERMINATION	Y	RoHS-5	30 DAYS	View Discounts	Quote	\$42.15	



[Search](#) |
 [Parts Entry](#) |
 [Product Category](#) |
 [Product Selection](#) |
 [View Cart](#) |
 [Check Out](#) |
 [Log In](#) |
 [Log Off](#)

Current Selected Criteria: Part Number Beginning With "TNGBJ1-9-78"

When placing an order for bulk cable in lengths other than /100, /200, /500, and /1000 ft a \$10 cutting charge per length will be added to your order by the factory

Add to Cart Instructions: Enter A Quantity Then Click on the View Cart or Checkout Tabs

[< Go Back](#)

*Click on Highlighted Part Number to View Engineering PDF Specs **Historical shipping history on this part for most recent months is XX days

Part Number	Description	ITAR	RoHS	Usually Ships In**	View Discounts	Quote	Price	Buy Quantity
TNGBJ1-9-78	TERMINTAION	Y	RoHS-5	30 DAYS	View Discounts	Quote	\$39.28	



[Search](#) |
 [Parts Entry](#) |
 [Product Category](#) |
 [Product Selection](#) |
 [View Cart](#) |
 [Check Out](#) |
 [Log In](#) |
 [Log Off](#)

Current Selected Criteria: Part Number Beginning With "TNGBJ1-9-50"

When placing an order for bulk cable in lengths other than /100, /200, /500, and /1000 ft a \$10 cutting charge per length will be added to your order by the factory

Add to Cart Instructions: Enter A Quantity Then Click on the View Cart or Checkout Tabs

[< Go Back](#)

*Click on Highlighted Part Number to View Engineering PDF Specs
shipping history on this part for most recent months is XX days

**Historical

Part Number	Description	ITAR	RoHS	Usually Ships In**	View Discounts	Quote	Price	Buy Quantity
TNGBJ1-9-50	TERMINTAION	Y	RoHS-5	30 DAYS	View Discounts	Quote	\$39.28	

[Search](#) |
 [Parts Entry](#) |
 [Product Category](#) |
 [Product Selection](#) |
 [View Cart](#) |
 [Check Out](#) |
 [Log In](#) |
 [Log Off](#)

Current Selected Criteria: Part Number Beginning With "TNGBJ1-6-78"

When placing an order for bulk cable in lengths other than /100, /200, /500, and /1000 ft a \$10 cutting charge per length will be added to your order by the factory

Add to Cart Instructions: Enter A Quantity Then Click on the View Cart or Checkout Tabs

[< Go Back](#)

*Click on Highlighted Part Number to View Engineering PDF Specs **Historical shipping history on this part for most recent months is XX days

Part Number	Description	ITAR	RoHS	Usually Ships In**	View Discounts	Quote	Price	Buy Quantity
TNGBJ1-6-78	TERMINATION	N	RoHS-5	30 DAYS	View Discounts	Quote	\$39.28	



[Search](#) |
 [Parts Entry](#) |
 [Product Category](#) |
 [Product Selection](#) |
 [View Cart](#) |
 [Check Out](#) |
 [Log In](#) |
 [Log Off](#)

Current Selected Criteria: Part Number Beginning With "TNGBJ1-3-75"

When placing an order for bulk cable in lengths other than /100, /200, /500, and /1000 ft a \$10 cutting charge per length will be added to your order by the factory

Add to Cart Instructions: Enter A Quantity Then Click on the View Cart or Checkout Tabs

[< Go Back](#)

*Click on Highlighted Part Number to View Engineering PDF Specs
shipping history on this part for most recent months is XX days

**Historical

Part Number	Description	ITAR	RoHS	Usually Ships In**	View Discounts	Quote	Price	Buy Quantity
TNGBJ1-3-75	TERMINATION	Y	RoHS-5	30 DAYS	View Discounts	Quote	\$39.28	

[Search](#) |
 [Parts Entry](#) |
 [Product Category](#) |
 [Product Selection](#) |
 [View Cart](#) |
 [Check Out](#) |
 [Log In](#) |
 [Log Off](#)

Current Selected Criteria: Part Number Beginning With "TNGBJ1-2-78"

When placing an order for bulk cable in lengths other than /100, /200, /500, and /1000 ft a \$10 cutting charge per length will be added to your order by the factory

Add to Cart Instructions: Enter A Quantity Then Click on the View Cart or Checkout Tabs

[< Go Back](#)

*Click on Highlighted Part Number to View Engineering PDF Specs **Historical shipping history on this part for most recent months is XX days

Part Number	Description	ITAR	RoHS	Usually Ships In**	View Discounts	Quote	Price	Buy Quantity
TNGBJ1-2-78	TERMINATION	Y	RoHS-5	30 DAYS	View Discounts	Quote	\$39.28	



[Search](#) |
 [Parts Entry](#) |
 [Product Category](#) |
 [Product Selection](#) |
 [View Cart](#) |
 [Check Out](#) |
 [Log In](#) |
 [Log Off](#)

Current Selected Criteria: Part Number Beginning With "TNGBJ1-1-150"

When placing an order for bulk cable in lengths other than /100, /200, /500, and /1000 ft a \$10 cutting charge per length will be added to your order by the factory

Add to Cart Instructions: Enter A Quantity Then Click on the View Cart or Checkout Tabs

[< Go Back](#)

*Click on Highlighted Part Number to View Engineering PDF Specs
shipping history on this part for most recent months is XX days

**Historical

Part Number	Description	ITAR	RoHS	Usually Ships In**	View Discounts	Quote	Price	Buy Quantity
TNGBJ1-1-150	TERMINATION,TRB	Y	RoHS-5	30 DAYS	View Discounts	Quote	\$33.57	