

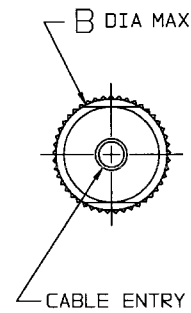
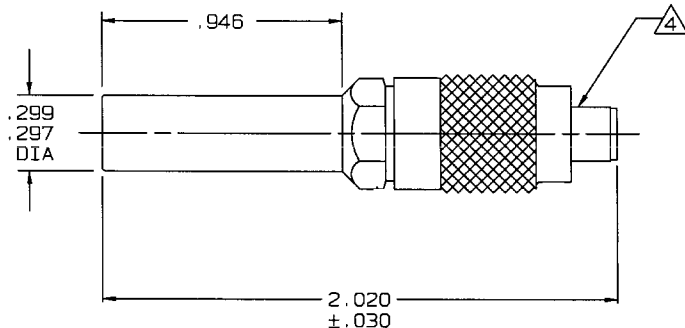
DASH NO	CABLES ACCOMMODATED	A HEX	B DIA MAX	ASSEMBLE PER
-009	8218 BELDEN YR23023 BELDEN 21-597 ESSEX	.178	.460	TAI-183
-013	RG-59, RG-62	.255		
-014	8212 BELDEN	.324	.590	
-016	724-728 AT&T 8281/9231 BELDEN			
-025	734A AT&T	.255	.460	
-026	735A AT&T	.178		
-027	KS19224L2 AT&T			

DWG SIZE  
B

DATA CONTAINED IN THIS DOCUMENT IS PROPRIETARY TO TROMPETER ELECTRONICS INC. AND SHALL NOT BE DISCLOSED, COPIED OR USED FOR PROCUREMENT OR MANUFACTURE WITHOUT EXPRESS WRITTEN PERMISSION.

REV		ED	DESCRIPTION	DWN	APPROVED	DATE
C	13168		BOM SHEET 2: ITEM 5 WAS 8-1613-26 CRIMP SLEEVE; SEE ECO	DKC	<i>[Signature]</i>	12/15/99

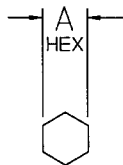
INCH	MM
.005	0.13
.030	0.76
.178	4.52
.255	6.48
.297	7.54
.299	7.57
.324	8.23
.375	9.53
.460	11.68
.590	14.99
.946	24.03
2.020	51.30



-026 SHOWN

CRIMP SLEEVE SUPPLIED LOOSE

3. 75 OHM COAXIAL TYPE MINIATURE (.298 SIZE) ALL TOOL CRIMP PATCH PLUG - NO SOLDER
2. FINISH: TFS-1A (NICKEL)
1. ALL DIM ARE IN INCHES



RECOMMENDED  
HEX CRIMP

QTY	DESCRIPTION	PART NUMBER	ITEM
TOL UNLESS SPECIFIED .XX ± .XXX ± .005 .XXXX ± ANGLES ±	<b>TROMPETER ELECTRONICS, INC.</b>	PL11AC	
DWN <i>[Signature]</i> DKC 12-6-99	MATERIAL	CODE IDENT	DRAWING NO.
CHK <i>[Signature]</i> 12-15-99		<b>14949</b>	<b>105-1324</b>
ENGR	SCALE 2/1	DATE 3-7-91	SHEET 1C
APPR <i>[Signature]</i> 12-15-99	NEXT ASSY		