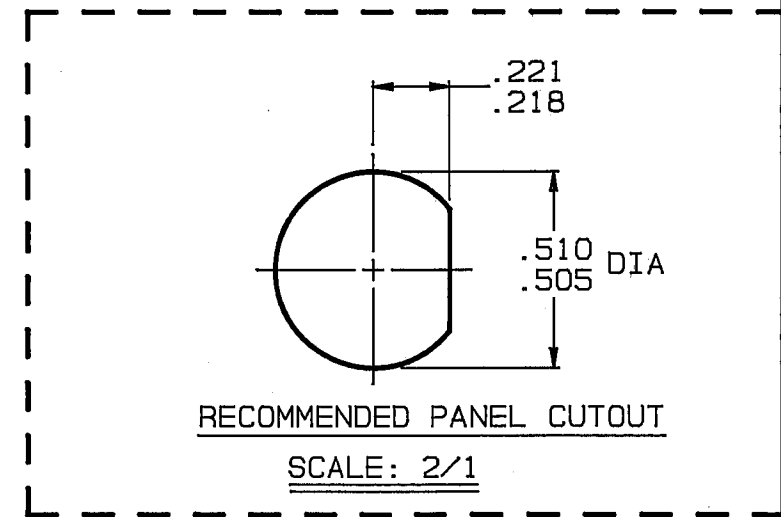
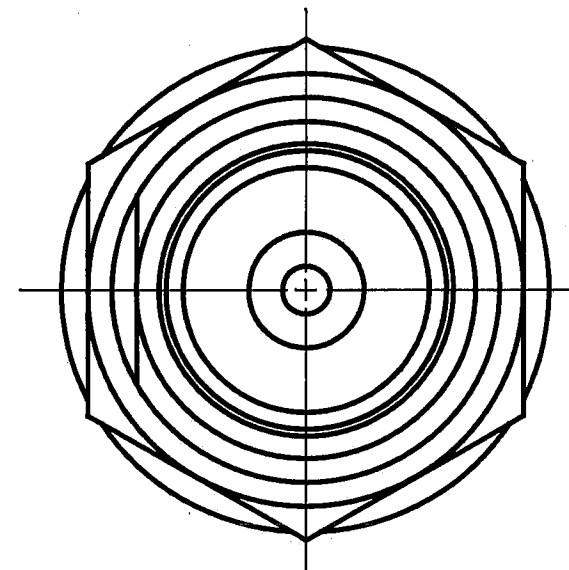
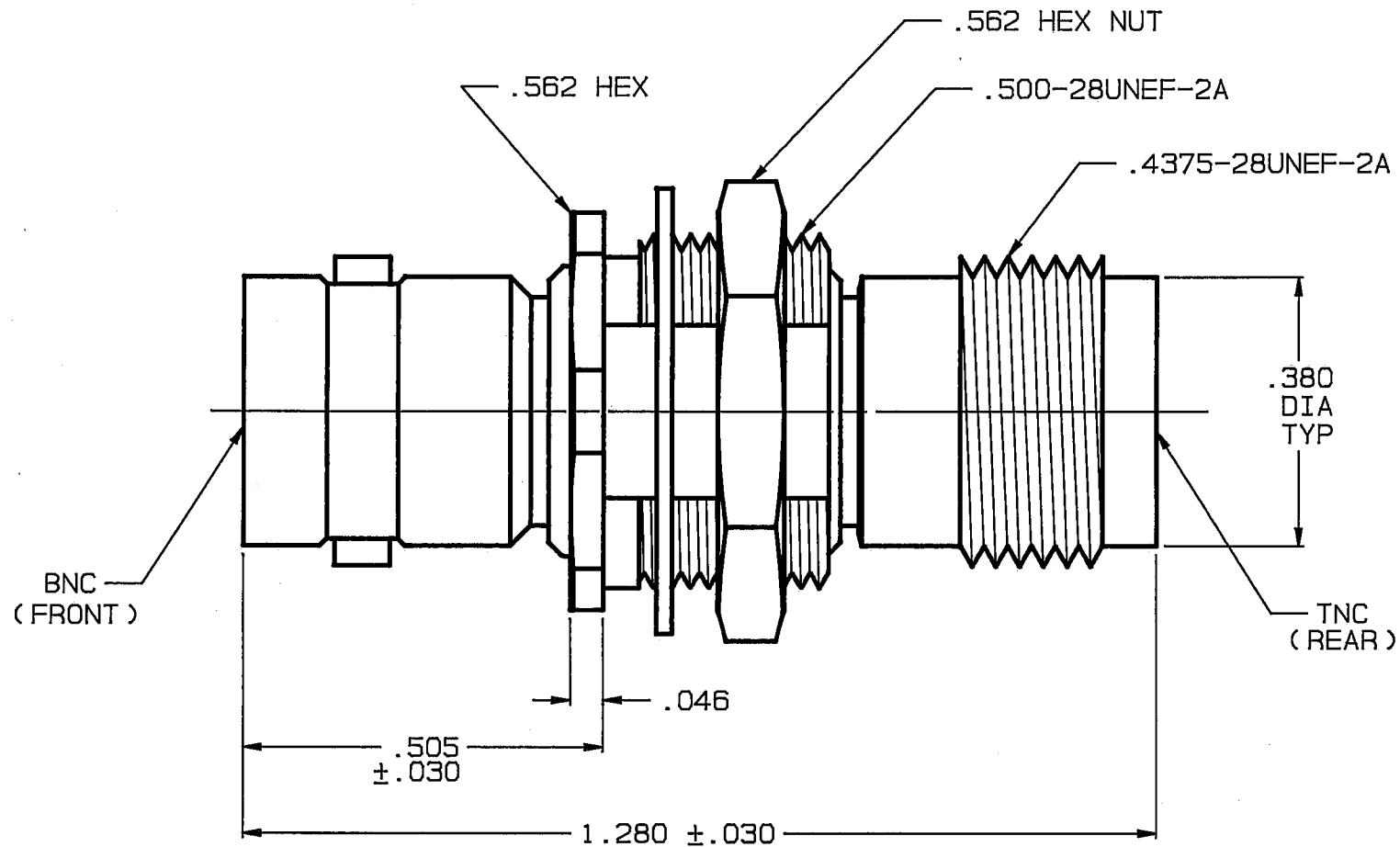


DISK # DWG SIZE DATA CONTAINED IN THIS DOCUMENT IS PROPRIETARY TO TROMPETER ELECTRONICS INC. AND SHALL NOT BE DISCLOSED, COPIED OR USED FOR PROCUREMENT OR MANUFACTURE WITHOUT EXPRESS WRITTEN PERMISSION.

REVISIONS			105-1049		SH 1
REV	EO	DESCRIPTION	DWN	APPROVED	DATE
A	9217	SH 2; ADDED NOTE (3); DWG NO WAS 1005-1049 AND REDRAWN	AAH	B.M.; <i>[Signature]</i>	3-7-91

DASH NO	MODEL NO	IMPD OHMS
-1	BJ2848	50
-2	UBJ2848	75
-3	BJ4828	50
-4	UBJ4828	75

INCH	MM
.005	0.13
.030	0.76
.046	1.17
.156	3.96
.218	5.54
.221	5.61
.380	9.65
.505	12.83
.510	12.95
.562	14.27
1.280	32.51



-1 SHOWN

4. SOCKET CONTACT COAXIAL BNC/TNC TYPE INSULATED FEED THRU BULKHEAD JACK, 50 AND 75 OHM VERSIONS
3. MAX PANEL THK .156
2. FINISH: TFS-1A, (NICKEL)
1. ALL DIM ARE IN INCHES

QTY	DESCRIPTION		PART NUMBER		ITEM
TOL UNLESS SPECIFIED .XX ± .XXX ± .005 .XXX ± ANGLES ±			TROMPETER ELECTRONICS, INC.		U/BJ2848 U/BJ4828
DWN	AAH	2-22-91	MATERIAL	CODE IDENT	DRAWING NO.
CHK	B.M.	3-4-91		14949	105-1049
ENGR					REV
NEXT ASSY	APPR	<i>[Signature]</i> 3-6-91	SCALE 4/1	DATE 3-19-81	SHEET 1 OF 2