

RED INDICATES ORIGINAL

DWG SIZE B	DATA CONTAINED IN THIS DOCUMENT IS PROPRIETARY TO TROMPETER ELECTRONICS INC. AND SHALL NOT BE DISCLOSED, COPIED OR USED FOR PROCUREMENT OR MANUFACTURE WITHOUT EXPRESS WRITTEN PERMISSION.				REVISIONS		305-0996		SH
	REV	EO	DESCRIPTION		DWN	APPROVED	DATE		
	A		PRODUCTION RELEASE		DKC				

DASH NO	CONNECTOR TYPE	MATERIAL △	ASSEMBLE PER	FIG	MTG HOLE FIG
-1	PL80	1-0156-14	TAI-175	1A	---
-2	CJ80	1-0152-14		2A	---
-3	BJ89	3-0035-14		3A	6
-4	BJ89F	305-0039-14		4A	5
-5	PL803	3-0106-14		1A	---
-6	CJ803	3-0111-14		2A	---
-7	BJ893	3-0263-14		3A	6
-8	BJ893F	3-0107-14		4A	5
-9	PL380	3-0103-14		1B	---
-10	CJ380	3-0216-14		2B	---
-11	BJ389	3-0264-14		3B	6
-12	BJ389F	3-0261-14		4B	5

FIG 1

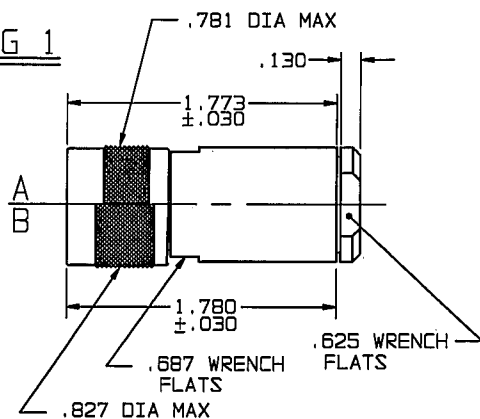


FIG 2

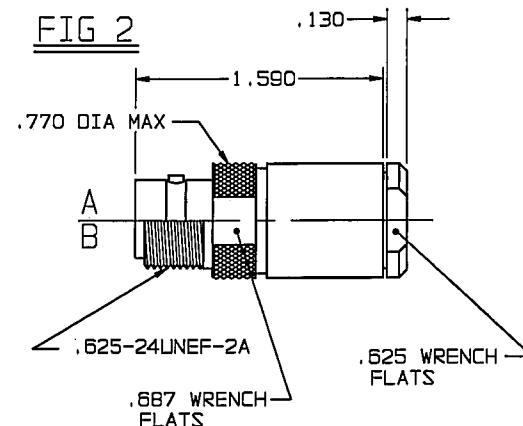
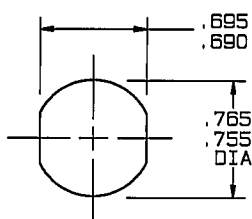


FIG 5



RECOMMENDED
MTG HOLE PATTERN
MAX PANEL THK .250

FIG 6



RECOMMENDED
PANEL CUTOUT
MAX PNL THK .250

FIG 3

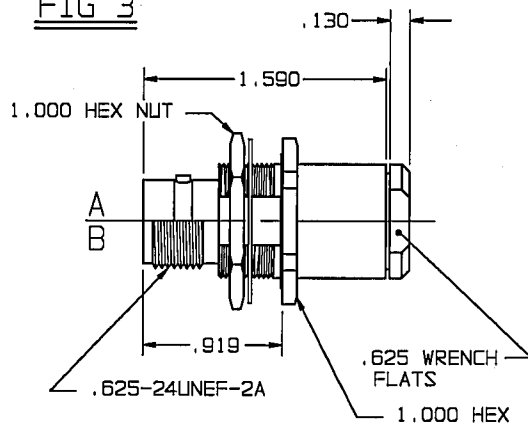
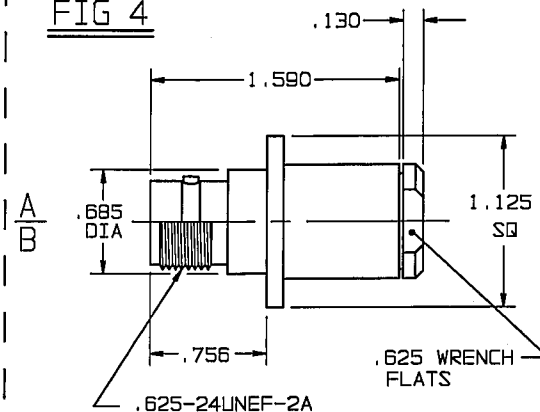


FIG 4



△ REPLACE CONE 8-1614-14 WITH CONE 105-1157-104

3. CONCENTRIC TWINAX/TRIAX "C" STYLE 2-LUG, 3-LUG AND THREADED PLUG/RECEPTACLE/BULKHEAD MT/FLANGE MT RECEPTACLE FOR NAVSEA 6322493

2. FINISH: TFS-1A (NICKEL)

1. ALL DIM ARE IN INCHES

QTY	DESCRIPTION	PART NUMBER	ITEM
TOL UNLESS SPECIFIED .XX ± .XXX ± .005 .XXXX ± ANGLES ±		TROMPETER ELECTRONICS, INC.	
		"80" SERIES - 6322493	
DWN	DKC 7-31-95	MATERIAL	CODE IDENT
CHK	Bm 8-2-95	---	14949
ENGR	Fb	DRAWING NO.	REV
APPR	Fb 8/2/95	305-0996	A
NEXT ASSY	SCALE	DATE 8/3/95	SHEET