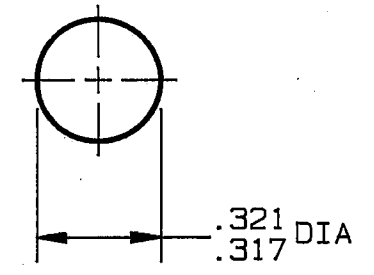
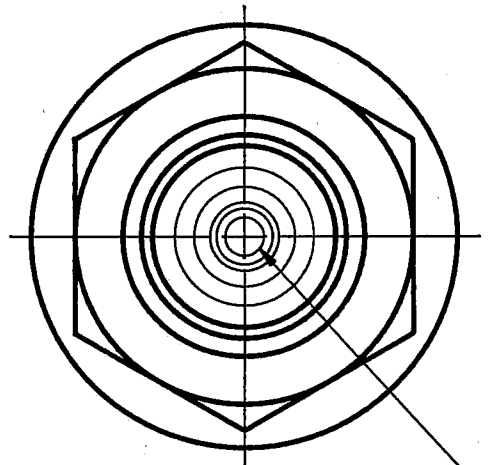
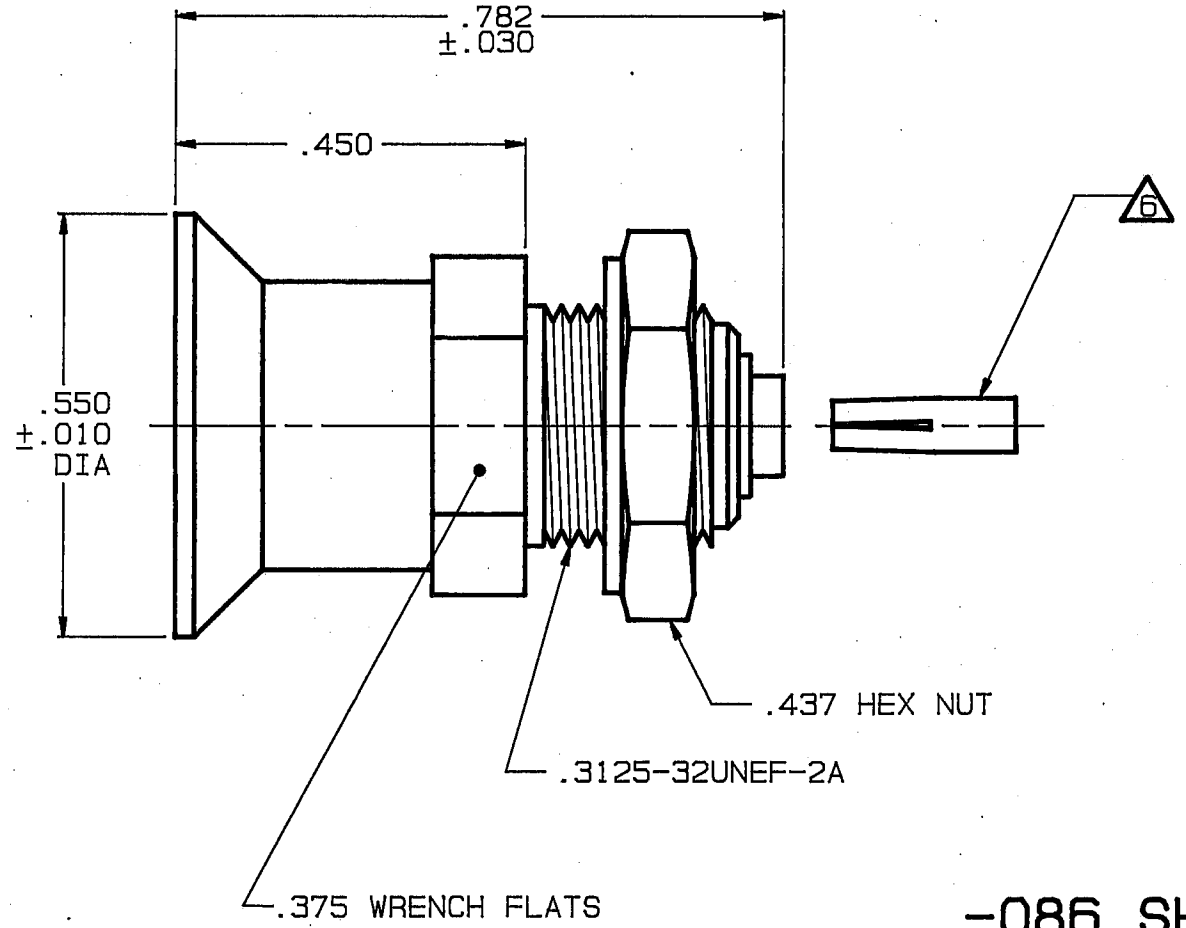


DASH NO	CABLES ACCOMMODATED	ASSEMBLE PER
-086	RG-405	TAI-142
-U086		
-141	RG-402	
-U141		

DISK # E6 DWG SIZE B
 DATA CONTAINED IN THIS DOCUMENT IS PROPRIETARY TO TROMPETER ELECTRONICS INC. AND SHALL NOT BE DISCLOSED, COPIED OR USED FOR PROCUREMENT OR MANUFACTURE WITHOUT EXPRESS WRITTEN PERMISSION.

REVISIONS			105-0771	SH 1	
REV	EO	DESCRIPTION	DWN	APPROVED	DATE
D	8758	SH 1, ADDED NOTE Δ 6; SH 2, ADDED NOTE 4 AND REDRAWN	DJK	<i>BM</i>	3/12/90

INCH	MM
.005	0.13
.010	0.25
.030	0.76
.120	3.05
.317	8.05
.321	8.15
.375	9.53
.437	11.10
.450	11.43
.550	13.97
.782	19.86



RECOMMENDED
PNL CUTOUT
SCALE: 2/1

-086 SHOWN

- Δ CABLE CONTACT SUPPLIED LOOSE
- 5. "U" DENOTES 75 OHM
- 4. 50 & 75 OHM COAXIAL BNC TYPE PUSH ON BULKHEAD JACK
- 3. MAX PANEL THK .120
- 2. FINISH: TFS-1A (NICKEL)
- 1. ALL DIM ARE IN INCHES

QTY	DESCRIPTION		PART NUMBER	ITEM
TOL UNLESS SPECIFIED		TROMPETER ELECTRONICS, INC.	BJ120D/UBJ120D	
.XX ± .XXX ±.005 .XXXX ± ANGLES ±			MATERIAL	CODE IDENT
DWN	DJK	2/6/90	14949	105-0771
CHK	<i>BM</i>	3/9/90		D
ENGR	<i>BM</i>	3/12/90		
APPR	<i>DJK</i>	3-12-90	SCALE 4/1	DATE 3/23/76
NEXT ASSY			SHEET	1 OF 2