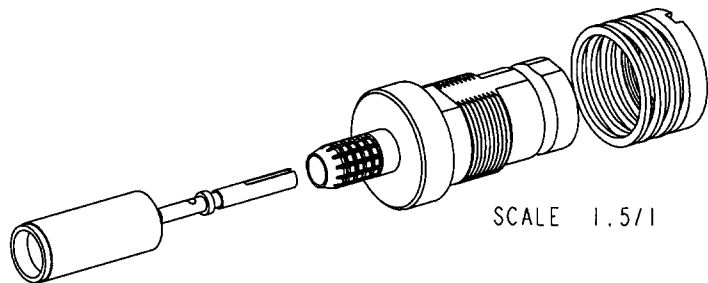
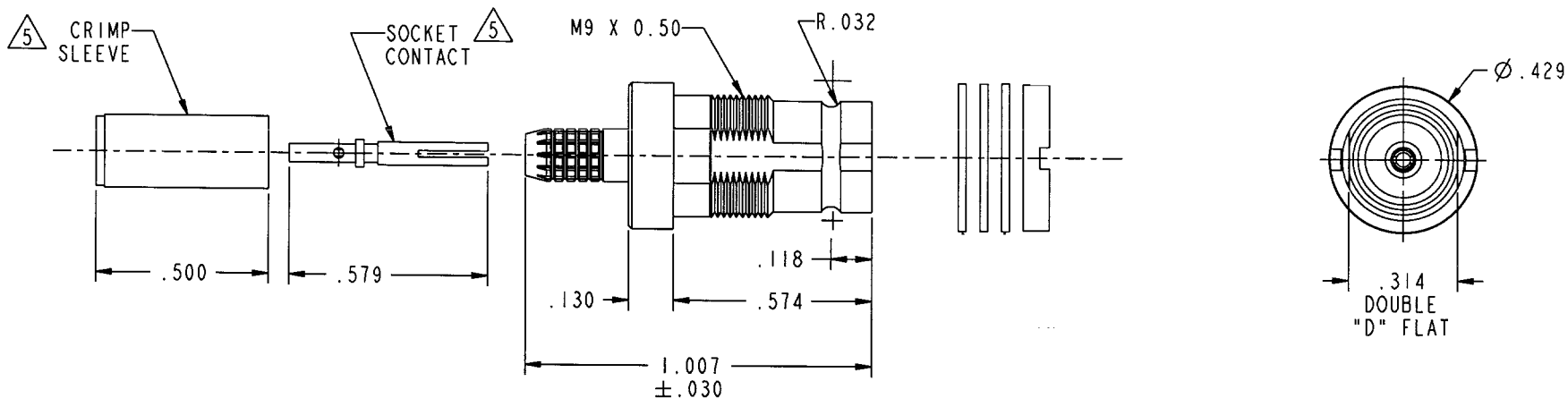


DATA CONTAINED IN THIS DOCUMENT IS PROPRIETARY TO TROMPETER ELECTRONICS INC. AND SHALL NOT BE DISCLOSED, COPIED OR USED FOR PROCUREMENT OR MANUFACTURE WITHOUT EXPRESS WRITTEN PERMISSION.

REVISIONS			
REV	DESCRIPTIONS	DATE	APPROVED
A	PRODUCTION RELEASE		



7. MAX PANEL THK: .093

6. ASSY PER: TAI-220

5. CRIMP SLEEVE AND SOCKET CONTACT ARE SUPPLIED LOOSE

4. CONNECTOR MEET REQUIREMENTS OF IEC 169-13

3. RF COAXIAL 75Ω THREADED FULL CRIMP 1.6/5.6 (DIN) FOR CABLE 735A

2. FINISH: TFS-1A (NICKEL)
TFS-1B (GOLD)

1. ALL DIM ARE IN INCHES

NOTES: UNLESS OTHERWISE SPECIFIED.

INTERPRET DRAWING PER MIL-STD-100. DIMENSIONS ARE IN INCHES AND INCLUDE FINISH THICKNESS UNLESS OTHERWISE SPECIFIED.		TOL: UNLESS SPECIFIED. .XX ± .02 .XXX ± .010 ANGLE ± 1°		 TROMPETER ELECTRONICS, INC.	
DRN	R/L	4/5/01	MATERIAL:		
CHK		4/6/01	FINISH:	"DIN" RECEPTACLE	
APPROVED		4/6/01		SIZE	CAGE CODE
				A	14949
				DRAWING NO.	REV.
				105-2065	A
NEXT ASSY	PROJ. FILE NO.	105-2065	DO NOT SCALE DWG	SCALE	DATE
				2/1	4/6/01
				SHEET	IC