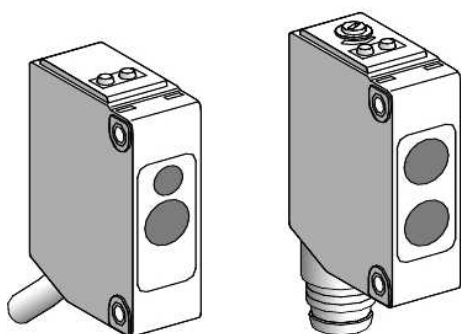


XUM2ANCNM8

photo-electric sensor - XUM - thru beam - Sn
15m - 12..24VDC - M8

Product availability: Stock - Normally stocked in distribution facility



Main

Commercial Status	Commercialised
Range of product	OsiSense XU
Series name	General purpose single mode
Electronic sensor type	Photo-electric sensor
Sensor name	XUM
Sensor design	Miniature
Detection system	Thru beam
Material	Plastic
Type of output signal	Discrete
Supply circuit type	DC
Wiring technique	3-wire
Discrete output type	NPN
Discrete output function	1 NO or 1 NC programmable
Electrical connection	1 male connector M8, 4 pins
Product specific application	-
Emission	Red thru beam
[Sn] nominal sensing distance	49.21 ft (15 m) thru beam

Complementary

Enclosure material	PBT
Lens material	PMMA
Output type	Solid state
Wire insulation material	PVC
Status LED	1 LED (red) for receiver/indicator light 1 LED (orange) for transmitter/supply on 1 LED (green) for instability and receiver/supply on
[Us] rated supply voltage	12...24 V DC
Switching capacity in mA	<= 100 mA (overload and short-circuit protection)
Switching frequency	<= 1000 Hz
Voltage drop	<= 3 V (closed state)
Current consumption	11...13 mA (no-load)
Delay first up	< 100 ms
Delay response	0.5 ms
Delay recovery	0.5 ms
Setting-up	Sensitivity adjustment
Depth	0.79 in (20 mm)
Height	1.69 in (43 mm)
Width	0.43 in (11 mm)
Product weight	0.26 lb(US) (0.119 kg)
Kit composition	Transmitter + receiver XUM2AKCNM8T + XUM2ANCNM8R

The information provided in this documentation contains general descriptions and/or technical characteristics of the performance of the products contained herein. This documentation is not intended as a substitute for and is not to be used for determining suitability or reliability of these products for specific user applications. It is the duty of any such user or integrator to perform the appropriate and complete risk analysis, evaluation and testing of the products with respect to the relevant specific application or use thereof. Neither Schneider Electric Industries SAS nor any of its affiliates or subsidiaries shall be responsible or liable for misuse of the information contained herein.

Environment

Product certifications	CE CTick CULus
Ambient air temperature for operation	-22...140 °F (-30...60 °C)
Ambient air temperature for storage	-40...158 °F (-40...70 °C)
Vibration resistance	7 gn, amplitude = +/- 1.5 mm (f = 10...55 Hz) conforming to IEC 60068-2-6
Shock resistance	30 gn (duration = 11 ms) conforming to IEC 60068-2-27
IP degree of protection	IP67 conforming to IEC 60529 IP65 conforming to IEC 60529

Ordering and shipping details

Category	21571 - SENSORS, ELECTRONIC BASIC XU & XS
Discount Schedule	DS2
GTIN	00785901839057
Nbr. of units in pkg.	1
Package weight(Lbs)	0.04
Product availability	Stock - Normally stocked in distribution facility
Returnability	Y
Country of origin	JP

Offer Sustainability

Sustainable offer status	Not Green Premium product
RoHS	Compliant - since 1152 - Schneider Electric declaration of conformity

Contractual warranty

Period	18 months
--------	-----------