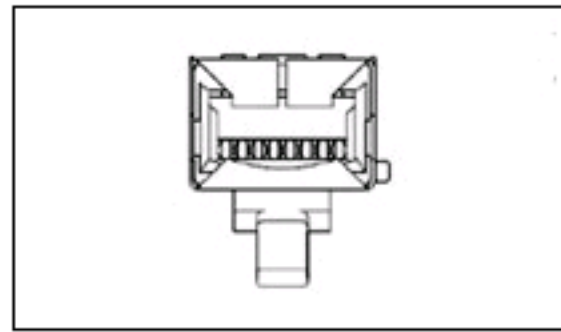


5-1368336-3 Product Details

Share Print Email



5-1368336-3

TE Internal Number: 5-1368336-3
 Active

Modular Plugs and Accessories

Always EU RoHS/ELV Compliant (Statement of Compliance)

Product Highlights:

- Connector
- Performance Category = Cat 3
- 6 Contacts Loaded
- Shielded
- Conductor Type = Solid

[View all Features](#)

Quick Links

- ▶ Pricing & Availability
- ▶ Search for Tooling
- ▶ Product Feature Selector
- ▶ Contact Us About This Product

Add to My Part List Request Sample Find Similar Products Buy Product

Documentation & Additional Information

Product Drawings:

- [MODULAR PLUG ASSEMBLY, 6 POSITION, LONG BODY, SHIELD...](#) (PDF, English)

Catalog Pages/Data Sheets:

- None Available

Product Specifications:

- None Available

Application Specifications:

- None Available

Instruction Sheets:

- None Available

CAD Files:

- None Available

Additional Information:

- [Product Line Information](#)

Related Products:

- [Tooling](#)

[List all Documents](#)

Product Features (Please use the Product Drawing for all design activity)

Product Type Features:

- Product Type = Connector
- Performance Category = Cat 3
- Cable Style = Round
- Latch Style = Standard
- Keyed = No
- Small Conductor = Yes
- Shield Material = Copper Alloy

Electrical Characteristics:

- Shielded = Yes

Termination Features:

- Solder Tail Contact Plating = Gold Flash over Nickel

Dimensions:

- Cable Diameter Range (mm [in]) = 4.57 [0.179]
- Conductor Insulation Diameter (mm [in]) = 0.80 - 1.00 [0.031 - 0.039]
- Conductor Outer Diameter (mm [in]) = 0.80 - 1.00 [0.031 - 0.039]

Body Features:

- Conductor Type = Solid
- Shield Plating = Nickel
- Body Size = Long

Contact Features:

- Contact Base Material = Phosphor Bronze
- Contact Plating, Mating Area, Material = Gold (50)

Housing Features:

- Connector Style = Plug - Modular
- Housing Material = Polycarbonate GF

Configuration Features:

- Number of Contacts Loaded = 6
- Number of Positions = 6
- Conductor (Wire) Size = 24 - 26 AWG

Industry Standards:

- RoHS/ELV Compliance = RoHS compliant, ELV compliant
- Lead Free Solder Processes = Not relevant for lead free process
- RoHS/ELV Compliance History = Always was RoHS compliant

Packaging Features:

- Packaging Method = Carton
- Qty./Carton = 100

Product Availability:

- Region = Asia, EMEA, North America, Latin America, Australia/New Zealand

Other:

- Brand = AMP

Corporate Information

- [About TE](#)
- [Investors](#)
- [News Room](#)
- [Supplier Portal](#)
- [Careers](#)
- [Terms & Conditions](#)
- [Privacy Policy](#)

Quick Links

- [Distributor Inventory](#)
- [Product Cross Reference](#)
- [Documents & Drawings](#)
- [Product Compliance Support Center](#)
- [Site Map](#)

Customer Support

- [Email or Chat With Us](#)
- [Find a Phone Number](#)
- [Knowledge Base](#)
- [Manage Your Account](#)

Keep Me Informed

