

Style

M12 Socket, shielded
5 pin
A-coding

Ratings

Voltage: 60 V
Current: 4 A

Operating Temperature Range

-40~105°C

Materials

- ① Insulator: Polyamide 66 (PA66), UL94 HB, black
- ② Pin: C5191 phosphor bronze, gold plating
- ③ Shell: C3604 brass, nickel plated
- ④ Nut: C3604 brass, nickel plated
- ⑤ O-ring: Silicone rubber
- ⑥ Epoxy: Epoxy resin

Electrical Requirements

Dielectric strength: 1 min @ 500 Vac
Insulation resistance: 100 MΩ @ 500 Vdc
Contact resistance: 10 mΩ or less

Mechanical Requirements

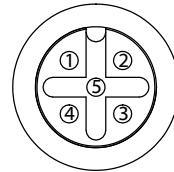
Life cycle: 500 mating cycles minimum

Environmental Requirements

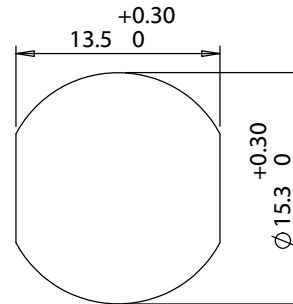
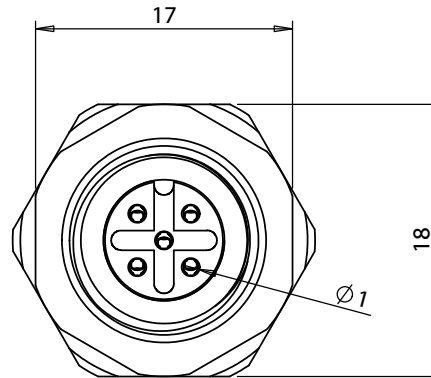
Salt spray test: 35 °C, relative humidity 90-95%, 5% NaCl mist for 48 hrs. Wash parts after test. Maintain mechanical requirements and a contact resistance of less than 10 mΩ.
Waterproof: IP67

Assembly Info

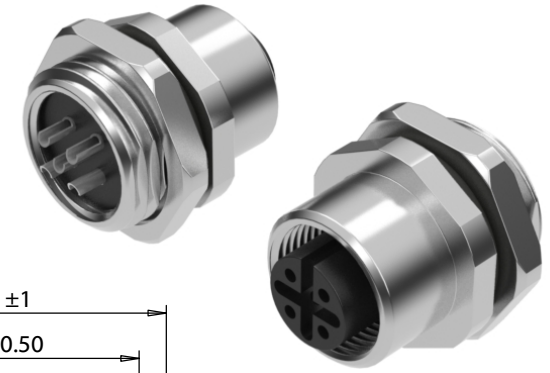
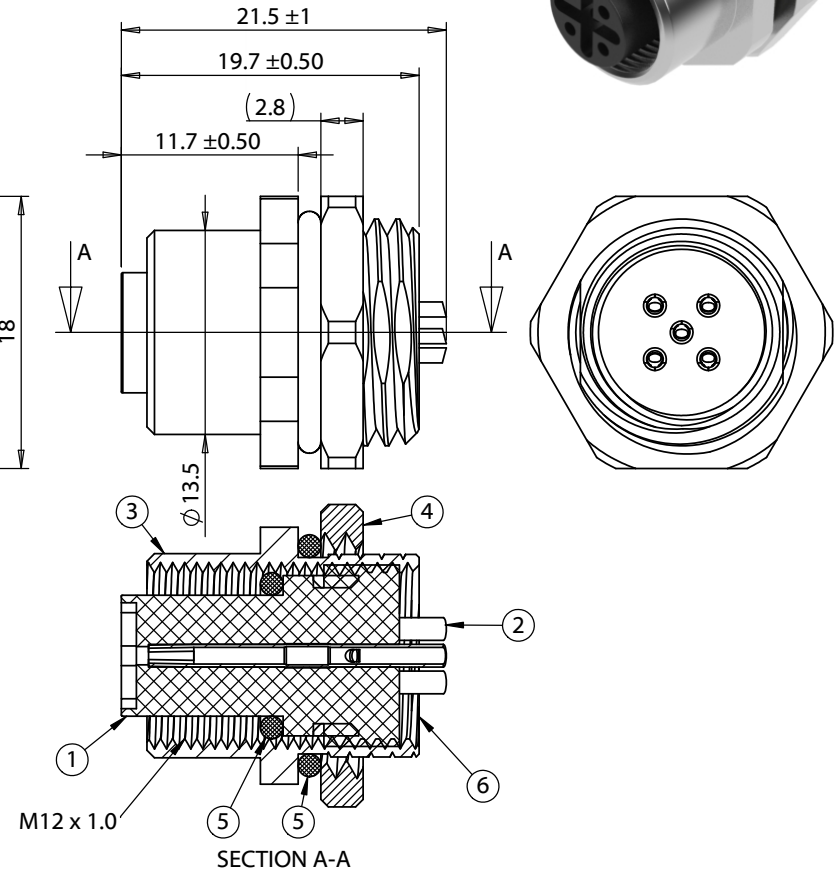
Wire gauge: 22 AWG max

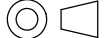


Front View
Not to Scale



Panel cutout (PG9)
Panel thickness (3.5mm max.)



Revision:	Date:	Description:	Prepared:	Notes:	<h1>TENSILITY</h1> tel 1.541.323.3228 800 877.670.7118 fax 1.541.323.4202 web tensility.com
A	10/1/2020	Initial release	Verified:	RoHS compliant Function test: no open, no short circuit, no intermittent	
			Dimensions are in millimeters. Tolerances: X: ± 0.3 mm X.X: ± 0.1 mm X.XX: ± 0.05 mm	Description: Connector, M12 A-code socket, 5 pin, 12xL21.5 mm, panel mount, solder cup, gold plated, IP67	Size: Part number: A 54-00182
					Scale: 2:1  Sheet 1 of 1