



TE Internal #: ER0063-000
 Hardware, Grounding & Mounting, Americas / Australia, New Zealand & Pacific Islands / Asia, 2 Cables, Bolt Hole Centers 187 mm [7.36 in], 1 x M12 mm

[View on TE.com >](#)

Energy & Power > Power Cable Accessories > Hardware, Grounding & Mounting > Cable Cleats made from V0 Flame-Retardant Polymer



Hardware, Grounding & Mounting Product Availability: **Americas, Asia, Australia, New Zealand & Pacific Islands, China, Europe, Middle East & Africa**

Number of Cables to be Mounted: **2**

Minimum Cable Diameter: **67 mm [2.63 in]**

Maximum Cable Diameter: **79 mm [3.11 in]**

Bolt Hole Centers: **187 mm [7.36 in]**

[All Cable Cleats made from V0 Flame-Retardant Polymer \(89\)](#)

Features

Product Type Features

Type	Cable Clamp
Bolt	1 x M12 mm

Configuration Features

Number of Cables to be Mounted	2
Minimum Cable Diameter	67 mm[2.63 in]
Maximum Cable Diameter	79 mm[3.11 in]

Body Features

Bolt Hole Centers	187 mm[7.36 in]
-------------------	-----------------

Mechanical Attachment

Mounting Hardware	No Hardware, No Insert
-------------------	------------------------

Product Availability

Hardware, Grounding & Mounting Product Availability	Americas, Asia, Australia, New Zealand & Pacific Islands, China, Europe, Middle East & Africa
---	---

Product Compliance

[For compliance documentation, visit the product page on TE.com>](#)



EU RoHS Directive 2011/65/EU	Out of Scope
EU ELV Directive 2000/53/EC	Out of Scope
China RoHS 2 Directive MIIT Order No 32, 2016	No Restricted Materials Above Threshold
EU REACH Regulation (EC) No. 1907/2006	Current ECHA Candidate List: JUNE 2024 (241) Candidate List Declared Against: JAN 2024 (240) Does not contain REACH SVHC
Halogen Content	Low Halogen - Br, Cl, F, I < 900 ppm per homogenous material. Also BFR/CFR/PVC Free
Solder Process Capability	Not applicable for solder process capability

Product Compliance Disclaimer

This information is provided based on reasonable inquiry of our suppliers and represents our current actual knowledge based on the information they provided. This information is subject to change. The part numbers that TE has identified as EU RoHS compliant have a maximum concentration of 0.1% by weight in homogenous materials for lead, hexavalent chromium, mercury, PBB, PBDE, DBP, BBP, DEHP, DIBP, and 0.01% for cadmium, or qualify for an exemption to these limits as defined in the Annexes of Directive 2011/65/EU (RoHS2). Finished electrical and electronic equipment products will be CE marked as required by Directive 2011/65/EU. Components may not be CE marked. Additionally, the part numbers that TE has identified as EU ELV compliant have a maximum concentration of 0.1% by weight in homogenous materials for lead, hexavalent chromium, and mercury, and 0.01% for cadmium, or qualify for an exemption to these limits as defined in the Annexes of Directive 2000/53/EC (ELV). Regarding the REACH Regulation, the information TE provides on SVHC in articles for this part number is based on the latest European Chemicals Agency (ECHA) 'Guidance on requirements for substances in articles' posted at this URL: <https://echa.europa.eu/guidance-documents/guidance-on-reach>

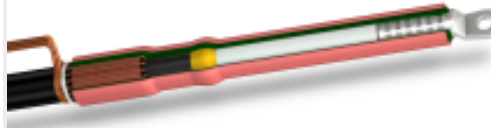
Compatible Parts



TE Part # CAT-CST
Cold Shrink Terminations




TE Part # CAT-ELB
Loadbreak Elbow: 200A, 15 and 25 kV




TE Part # CAT-IXSU
Heat Shrink Terminations: 1C/3C, Indoor



TE Part # CAT-OXSU
Heat Shrinkable Outdoor Termination kits



TE Part # CAT-RPIT
Raychem Plug-In Terminations



TE Part # CAT-RSTI
Screened Separable Connectors 1250 A



TE Part # CAT-OHVT-C
High Voltage Terminations: Outdoor, Composite



TE Part # CAT-OHVT-G
High Voltage Terminations: Outdoor, Dry type



TE Part # CAT-OHVT-HS
High Voltage Terminations: Heat Shrink, Self-Support

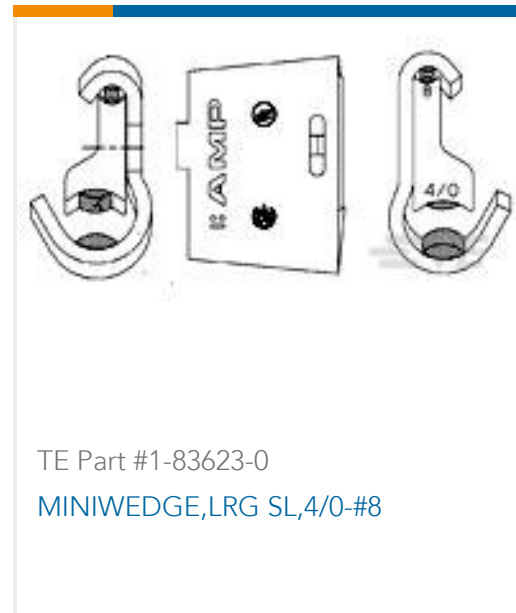
Customers Also Bought



TE Part #CU8541-000
Thick-Wall Heat Shrink Tubing



TE Part #83623-2
MINI WEDGE, LRG SL, 2/0-#8



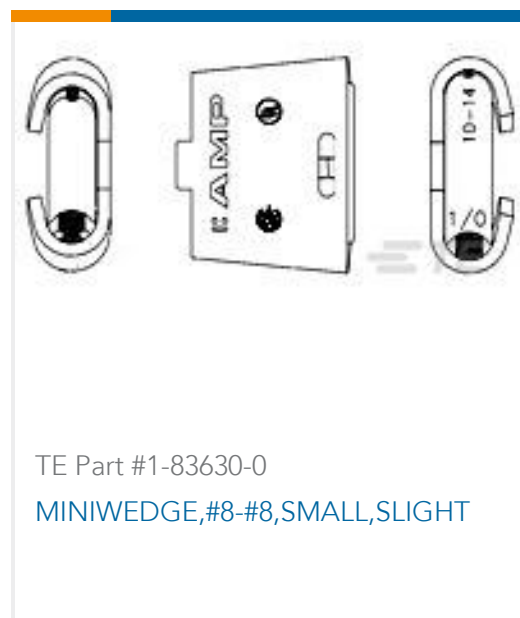
TE Part #1-83623-0
MINI WEDGE, LRG SL, 4/0-#8



TE Part #3-1423157-3
7012BF=RLY, STD, ON, 2P, 240VAC, 1



TE Part #1-1423183-9
7032ADB=RLY, STD, DBH, 2P, 120VAC, 100SEC, 7SC



TE Part #1-83630-0
MINI WEDGE, #8-#8, SMALL, SLIGHT



TE Part #654258-001
CES-3-A150



TE Part #E70421-000
RRGs-35/600-M(B3)

Documents

Product Drawings

CCD63-75

English

Datasheets & Catalog Pages

DUAL CABLE CLEATS

English

DUAL CABLE CLEATS

German

DUAL CABLE CLEATS

DUAL CABLE CLEATS

French

DUAL CABLE CLEATS

Instruction Sheets

Instruction Sheet (U.S.)

English

