



Energy & Power > Power Cable Accessories > Hardware, Grounding & Mounting



Minimum Cable Diameter: **38 mm [1.48 in]**

Bolt Hole Centers: **138 mm [5.43 in]**

Installed Height - Max: **231 mm [9.1 in]**

Mounting Hardware: **Strut Nut - Stainless**

Features

Configuration Features

Minimum Cable Diameter	38 mm[1.48 in]
Installed Height - Max	231 mm[9.1 in]

Body Features

Bolt Hole Centers	138 mm[5.43 in]
-------------------	-----------------

Mechanical Attachment

Mounting Hardware	Strut Nut - Stainless
-------------------	-----------------------

Product Compliance

[For compliance documentation, visit the product page on TE.com>](#)

EU RoHS Directive 2011/65/EU	Out of Scope
EU ELV Directive 2000/53/EC	Out of Scope
China RoHS 2 Directive MIIT Order No 32, 2016	No Restricted Materials Above Threshold
EU REACH Regulation (EC) No. 1907/2006	Current ECHA Candidate List: JUNE 2024 (241) Candidate List Declared Against: JAN 2021 (211) Does not contain REACH SVHC
Halogen Content	Low Halogen - Br, Cl, F, I < 900 ppm per homogenous material. Also BFR/CFR/PVC Free
Solder Process Capability	Not applicable for solder process capability

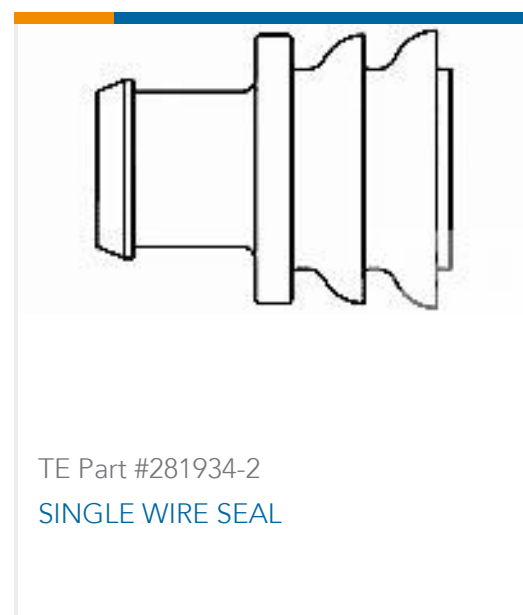
Product Compliance Disclaimer

This information is provided based on reasonable inquiry of our suppliers and represents our current actual knowledge based on the information they provided. This information is subject to change. The part numbers that TE has identified as EU RoHS compliant have a maximum concentration of 0.1% by weight in homogenous materials for lead, hexavalent chromium, mercury, PBB, PBDE, DBP, BBP, DEHP, DIBP, and 0.01% for cadmium, or qualify for an exemption to these limits as defined in the Annexes of Directive 2011/65/EU (RoHS2). Finished electrical and electronic equipment products will be CE marked as required by Directive 2011/65/EU. Components may not be CE marked. Additionally, the part numbers that TE has identified as EU ELV compliant have a maximum concentration of 0.1% by weight in homogenous materials for lead, hexavalent chromium, and mercury, and 0.01% for cadmium, or qualify for an exemption to these limits as defined in the Annexes of Directive 2000/53/EC (ELV). Regarding the REACH Regulation, the information TE provides on SVHC in articles for this part number is based on the latest European Chemicals Agency (ECHA) 'Guidance on requirements for substances in articles' posted at this URL: <https://echa.europa.eu/guidance-documents/guidance-on-reach>

Compatible Parts



Customers Also Bought



Documents

[Product Drawings](#)
[CCD38-50-SN-M12-DOUB](#)

English

[Datasheets & Catalog Pages](#)



TE's RAYCHEM CABLE CLEATS

English

CABLE CLAMPS CCD/CCD-DOUB

English