



Energy & Power > Power Systems Connectors > Compression Connectors



Product Availability: **Asia, Australia, New Zealand & Pacific Islands**

Installation Technology: **Compression**

Voltage Class: **≤ 35 kV, ≤ 1 kV**

Compatible Conductor Material: **Copper**

Crimp Type: **Hexagonal Crimping**

## Features

### Product Type Features

Installation Technology	Compression
-------------------------	-------------

### Electrical Characteristics

Voltage Class	≤ 35 kV, ≤ 1 kV
---------------	-----------------

### Body Features

Conductor Type	Stranded
Compression Barrel Type	Standard
Compatible Conductor Material	Copper
Primary Product Material	Copper

### Contact Features

Crimp Type	Hexagonal Crimping
------------	--------------------

### Dimensions

Barrel Length	77 mm[3.031 in]
Barrel Inside Diameter	8.5 mm, 16.3 mm[.334 in][.641 in]
Barrel Outside Diameter	11.5 mm, 22.4 mm[.452 in][.881 in]
Compatible Conductor Range	2 – 300 AWG/kcmil
Compatible Conductor Cross-Section Range	35 – 150 mm <sup>2</sup>

### Operation/Application



Power Component Application Type	Indoor, Outdoor
----------------------------------	-----------------

Compression Connector Product Type	Terminal Links
------------------------------------	----------------

### Industry Standards

Compatible With Approved Standards Products	AS 1125-174
---	-------------

### Product Availability

Product Availability	Asia, Australia, New Zealand & Pacific Islands
----------------------	--

### Product Compliance

[For compliance documentation, visit the product page on TE.com>](#)

EU RoHS Directive 2011/65/EU	Compliant
------------------------------	-----------

EU ELV Directive 2000/53/EC	Out of Scope
-----------------------------	--------------

China RoHS 2 Directive MIIT Order No 32, 2016	有害物质含量符合标准要求 No Restricted Substance(s) Above Threshold
---	---

EU REACH Regulation (EC) No. 1907/2006	Current ECHA Candidate List: JUNE 2025 (250) Candidate List Declared Against: JAN 2025 (247) Does not contain REACH SVHC
--	--

Halogen Content	Low Halogen - Br, Cl, F < 900 ppm per homogenous material. Also BFR/CFR/PVC Free
-----------------	--

Solder Process Capability	Not applicable for solder process capability
---------------------------	--

#### Product Compliance Disclaimer

This information is provided based on reasonable inquiry of our suppliers and represents our current actual knowledge based on the information they provided. This information is subject to change. The part numbers that TE has identified as EU RoHS compliant have a maximum concentration of 0.1% by weight in homogenous materials for lead, hexavalent chromium, mercury, PBB, PBDE, DBP, BBP, DEHP, DIBP, and 0.01% for cadmium, or qualify for an exemption to these limits as defined in the Annexes of Directive 2011/65/EU (RoHS2). Finished electrical and electronic equipment products will be CE marked as required by Directive 2011/65/EU. Components may not be CE marked. Additionally, the part numbers that TE has identified as EU ELV compliant have a maximum concentration of 0.1% by weight in homogenous materials for lead, hexavalent chromium, and mercury, and 0.01% for cadmium, or qualify for an exemption to these limits as defined in the Annexes of Directive 2000/53/EC (ELV). Regarding the REACH Regulation, the information TE provides on SVHC in articles for this part number is based on the latest European Chemicals Agency (ECHA) 'Guidance on requirements for substances in articles' posted at this URL: <https://echa.europa.eu/guidance-documents/guidance-on-reach>

### Compatible Parts



TE Part # 2107475-2  
UNIPRESS 6/120 +COF+CHARG



TE Part # 2107733-4  
AUTOPRESS C120 18V+COF+CHARG 110V



TE Part # 2107725-1  
AUTOPRESS L62+ COF+CHARG 110V



TE Part # 2107730-1  
AutoPress 80 18V+COF+CHARG

### Also in the Series | UTILUX CKR



Compression Connectors(32)

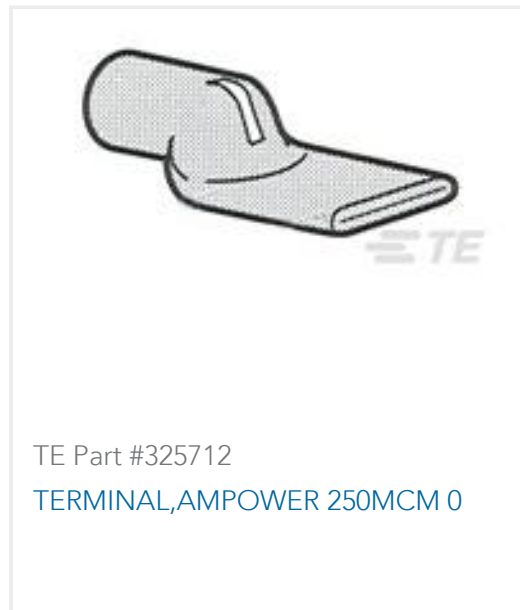
### Customers Also Bought



TE Part #EN3750-775  
TCTS-3/0-1/2-U



TE Part #EN3750-799  
TCTS-500-1/2-U



TE Part #325712  
TERMINAL,AMPPOWER 250MCM 0



TE Part #2-326111-1  
TERMINAL,AMPPOWER UNPL 500MCM 0



TE Part #1-1393139-8  
MDR-170-1=MDR



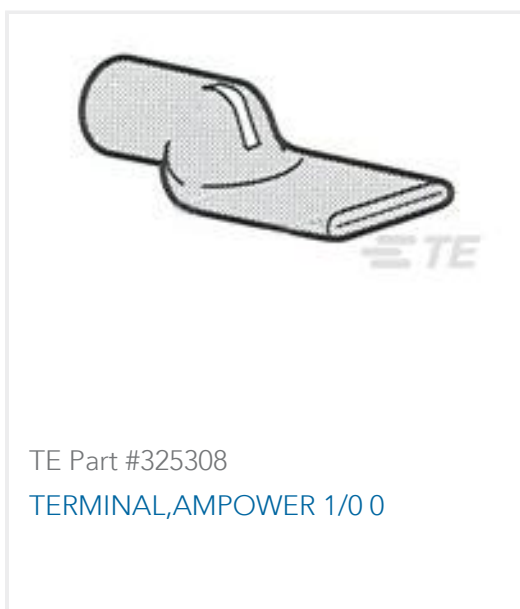
TE Part #6-1393139-3  
MDR-5061=MDR



TE Part #2-1423159-2  
7012PBX=RLY,STD,ON,2P,125VDC,



TE Part #8-1437470-5  
SSC12AIA=120VAC 50/60HZ 3/60 M



TE Part #325308  
TERMINAL,AMPPOWER 1/0 0



TE Part #6-1393139-2  
MDR-5060=MDR



## Documents

### Product Drawings

[CKR150-35/1](#)

English

---

### Datasheets & Catalog Pages

[EPP-2487-DDS11-AU-3\\_16-CKR-UTILUX](#)

English