



Wrapper FGD

TE Internal #: BM1652-000

Mechanical Connectors, Australia, New Zealand & Pacific Islands / Asia / China, WrapTEr Helicals, ≤ 35 kV, Steel, Stranded, Wrapper FGD

[View on TE.com >](#)

Energy & Power > Power Systems Connectors > Mechanical Connectors > Helical Fittings



Mechanical Connector Product Availability: **Asia, Australia, New Zealand & Pacific Islands, China**

Mechanical Connector Technology: **WrapTEr Helicals**

Mechanical Connector Voltage Class: **≤ 35 kV**

Mechanical Connector Conductor Material: **Steel**

Conductor Type: **Stranded**

[All Helical Fittings \(35\)](#)

Features

Product Type Features

Mechanical Connector Technology	WrapTEr Helicals
Mechanical Connector Material	Steel

Electrical Characteristics

Mechanical Connector Voltage Class	≤ 35 kV
------------------------------------	---------

Body Features

Mechanical Connector Conductor Material	Steel
Conductor Type	Stranded

Dimensions

	7/1.60 AWG/kcmil
--	------------------

Operation/Application

Free of Lead, Cadmium, Heavy Metals	Yes
Application Type	Overhead Distribution
Indoor Use	No
Outdoor Use	Yes

Product Availability

--	--



Mechanical Connector Product Availability	Asia, Australia, New Zealand & Pacific Islands, China
---	---

Other

Conductor Gauge Type	AAC/AAAC
----------------------	----------

Product Compliance

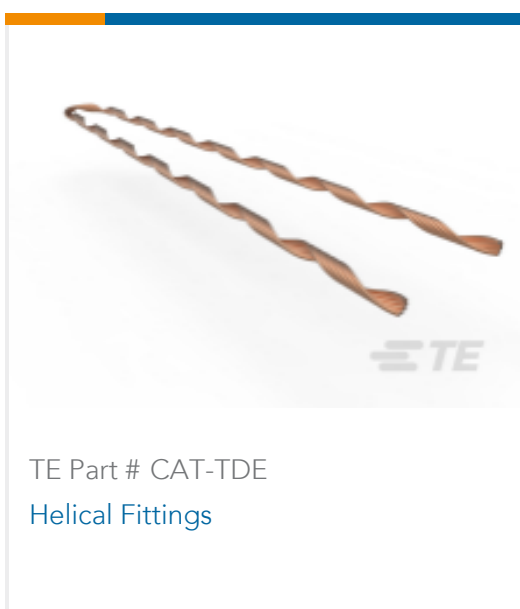
[For compliance documentation, visit the product page on TE.com>](#)

EU RoHS Directive 2011/65/EU	Compliant
EU ELV Directive 2000/53/EC	Compliant
China RoHS 2 Directive MIIT Order No 32, 2016	No Restricted Materials Above Threshold
EU REACH Regulation (EC) No. 1907/2006	Current ECHA Candidate List: JUNE 2024 (241) Candidate List Declared Against: JAN 2024 (240) Does not contain REACH SVHC
Halogen Content	Low Halogen - Br, Cl, F, I < 900 ppm per homogenous material. Also BFR/CFR/PVC Free
Solder Process Capability	Not applicable for solder process capability

Product Compliance Disclaimer

This information is provided based on reasonable inquiry of our suppliers and represents our current actual knowledge based on the information they provided. This information is subject to change. The part numbers that TE has identified as EU RoHS compliant have a maximum concentration of 0.1% by weight in homogenous materials for lead, hexavalent chromium, mercury, PBB, PBDE, DBP, BBP, DEHP, DIBP, and 0.01% for cadmium, or qualify for an exemption to these limits as defined in the Annexes of Directive 2011/65/EU (RoHS2). Finished electrical and electronic equipment products will be CE marked as required by Directive 2011/65/EU. Components may not be CE marked. Additionally, the part numbers that TE has identified as EU ELV compliant have a maximum concentration of 0.1% by weight in homogenous materials for lead, hexavalent chromium, and mercury, and 0.01% for cadmium, or qualify for an exemption to these limits as defined in the Annexes of Directive 2000/53/EC (ELV). Regarding the REACH Regulation, the information TE provides on SVHC in articles for this part number is based on the latest European Chemicals Agency (ECHA) 'Guidance on requirements for substances in articles' posted at this URL: <https://echa.europa.eu/guidance-documents/guidance-on-reach>

Compatible Parts

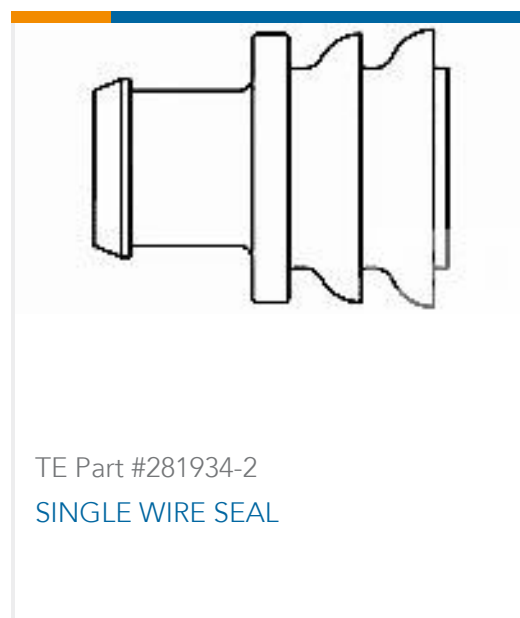


Also in the Series | **Wrapper FGD**



Mechanical Connectors(12)

Customers Also Bought



Documents

Product Drawings

[FGD0465-0500-4](#)

English

Datasheets & Catalog Pages

[Wrapper Helicals Quick Reference Guide](#)

English

[WRAPPER FULL TENSION DEAD ENDS-GALVANISED STEEL](#)

English