



TE Internal #: A25232-011
 Heat Shrink Power Cable Termination, 6.35/11(12) kV, Wire Cable
 Shield, 1 Core, Plastic (XLPE), No Armoring Material, 1 Sheds
[View on TE.com >](#)

Energy & Power > Power Cable Accessories > Power Cable Terminations > Heat Shrinkable Outdoor Termination kits



Product Availability: **Europe, Middle East & Africa**

Installation Instruction: **English**

Installation Technology: **Heat Shrink**

Voltage Class: **6.35/11(12) kV**

Cable Shield Style: **Wire**

[All Heat Shrinkable Outdoor Termination kits \(122\)](#)

Features

Industry Standards

Pollution Level (IEC 60815)	IV
Compatible With Approved Standards Products	CENELEC HD 629.1, IEC 60502-4

Operation/Application

Power Component Application Type	Outdoor
----------------------------------	---------

Packaging Features

Packaging Quantity	1
--------------------	---

Product Type Features

Shelf Life	Unlimited
Installation Technology	Heat Shrink
Cable Shield Style	Wire

Product Availability

Product Availability	Europe, Middle East & Africa
----------------------	------------------------------

Other

Installation Instruction	English
EU RoHS Compliance	Compliant
EU ELV Compliance	Compliant



Electrical Characteristics

Voltage Class	6.35/11(12) kV
---------------	----------------

Configuration Features

Number of Cores	1
-----------------	---

Body Features

Insulation Material	Plastic (XLPE)
Number of Sheds	1

Housing Features

Armoring Material	No
-------------------	----

Product Compliance

[For compliance documentation, visit the product page on TE.com>](#)

EU RoHS Directive 2011/65/EU	Compliant
EU ELV Directive 2000/53/EC	Compliant
China RoHS 2 Directive MIIT Order No 32, 2016	No Restricted Materials Above Threshold
EU REACH Regulation (EC) No. 1907/2006	Current ECHA Candidate List: JUNE 2024 (241) Candidate List Declared Against: JUNE 2024 (241) Does not contain REACH SVHC
Halogen Content	Low Halogen - Br, Cl, F, I < 900 ppm per homogenous material. Also BFR/CFR/PVC Free
Solder Process Capability	Not applicable for solder process capability

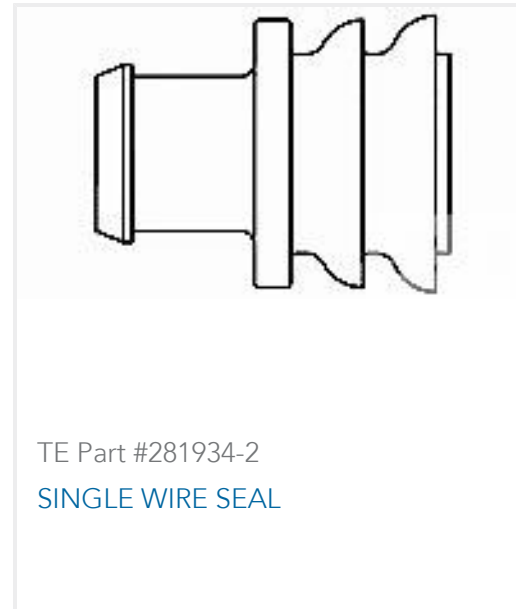
Product Compliance Disclaimer

This information is provided based on reasonable inquiry of our suppliers and represents our current actual knowledge based on the information they provided. This information is subject to change. The part numbers that TE has identified as EU RoHS compliant have a maximum concentration of 0.1% by weight in homogenous materials for lead, hexavalent chromium, mercury, PBB, PBDE, DBP, BBP, DEHP, DIBP, and 0.01% for cadmium, or qualify for an exemption to these limits as defined in the Annexes of Directive 2011/65/EU (RoHS2). Finished electrical and electronic equipment products will be CE marked as required by Directive 2011/65/EU. Components may not be CE marked. Additionally, the part numbers that TE has identified as EU ELV compliant have a maximum concentration of 0.1% by weight in homogenous materials for lead, hexavalent chromium, and mercury, and 0.01% for cadmium, or qualify for an exemption to these limits as defined in the Annexes of Directive 2000/53/EC (ELV). Regarding the REACH Regulation, the information TE provides on SVHC in articles for this part number is based on the latest European Chemicals Agency (ECHA) 'Guidance on requirements for substances in articles' posted at this URL: <https://echa.europa.eu/guidance-documents/guidance-on-reach>

Compatible Parts



Customers Also Bought



Documents

Product Drawings

[OXSU-F3161](#)

English

[OXSU-F3161](#)

English

Datasheets & Catalog Pages

[IXSU-F-OXSU-F-CABLE-ACCESSORIES](#)

English