



Energy & Power > Power Systems Connectors > Grounding/Earthing Connectors



Grounding & Earthing Connector Product Availability: **Worldwide**

Grounding & Earthing Connector Technology: **Crimped**

Conductor Combination 1: **Total sum of conductors: 105 to 170 mm²**

Grounding & Earthing Connector Voltage Class: **≤ 42 kV**

Features

Product Type Features

Grounding & Earthing Connector Technology	Crimped
Conductor Combination 1	Total sum of conductors: 105 to 170 mm ²

Configuration Features

Visual Inspection	No
-------------------	----

Electrical Characteristics

Grounding & Earthing Connector Voltage Class	≤ 42 kV
--	---------

Body Features

Conductor Type (Large)	Copper Stranded
------------------------	-----------------

Termination Features

Wire-to-Wire Connection	Yes
Wire-to-Ground Rod Connection	No

Operation/Application

Application Type	Grounding Connection
Free of Lead, Cadmium, Heavy Metals	Yes
Energized Installation	No

Industry Standards

UL Listed	No
IEEE 837	Yes
RUS Approved	No



CSA Certified No

Product Availability

Grounding & Earthing Connector Product Availability Worldwide

Product Compliance

[For compliance documentation, visit the product page on TE.com>](#)

EU RoHS Directive 2011/65/EU	Compliant
EU ELV Directive 2000/53/EC	Compliant
China RoHS 2 Directive MIIT Order No 32, 2016	No Restricted Materials Above Threshold
EU REACH Regulation (EC) No. 1907/2006	Current ECHA Candidate List: JUNE 2024 (241) Candidate List Declared Against: JAN 2024 (240) Does not contain REACH SVHC
Halogen Content	Low Halogen - Br, Cl, F, I < 900 ppm per homogenous material. Also BFR/CFR/PVC Free
Solder Process Capability	Not applicable for solder process capability

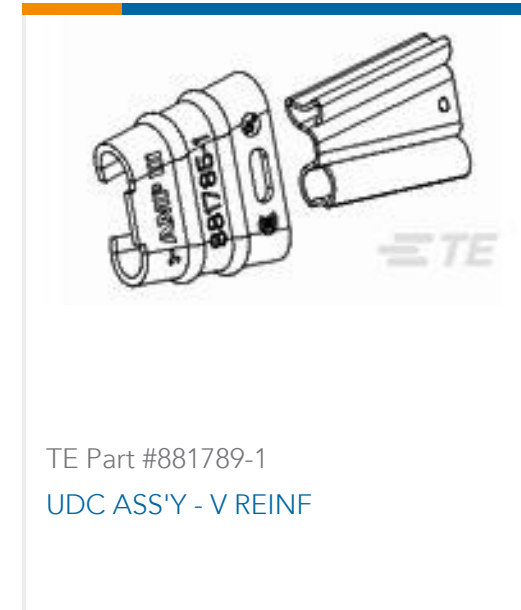
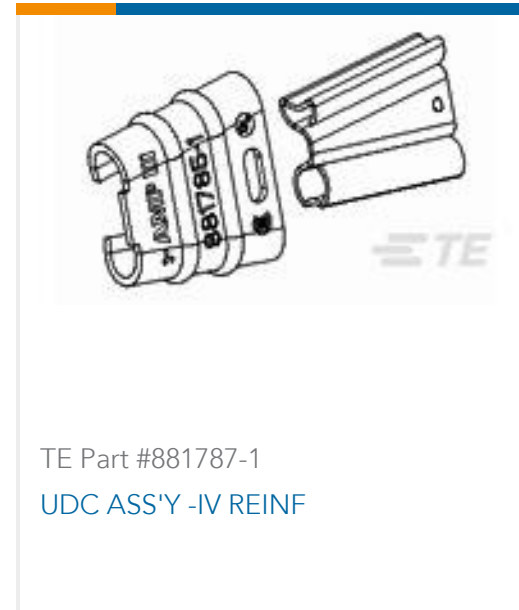
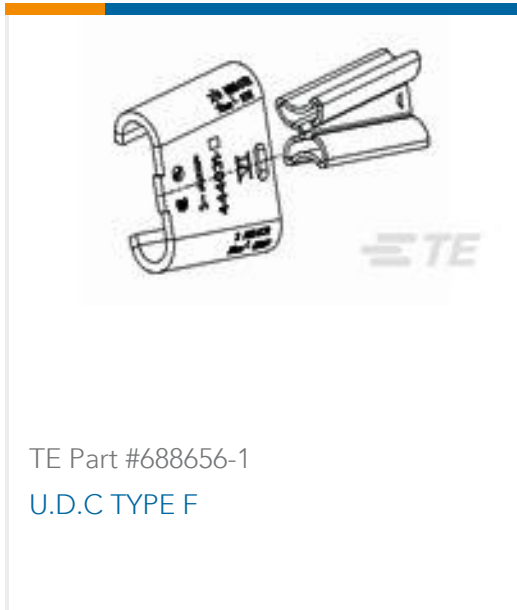
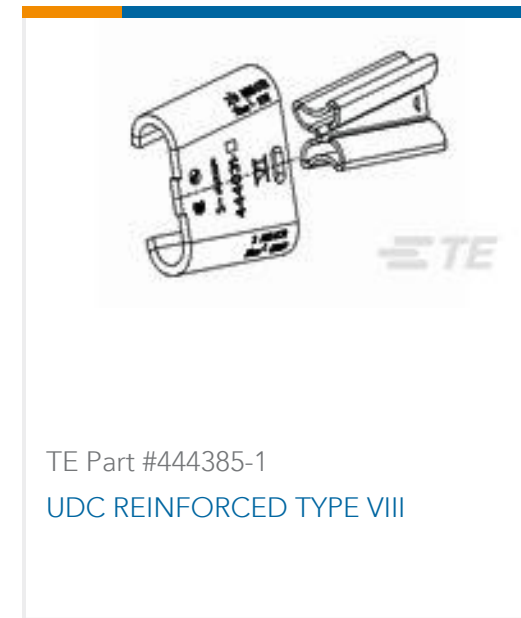
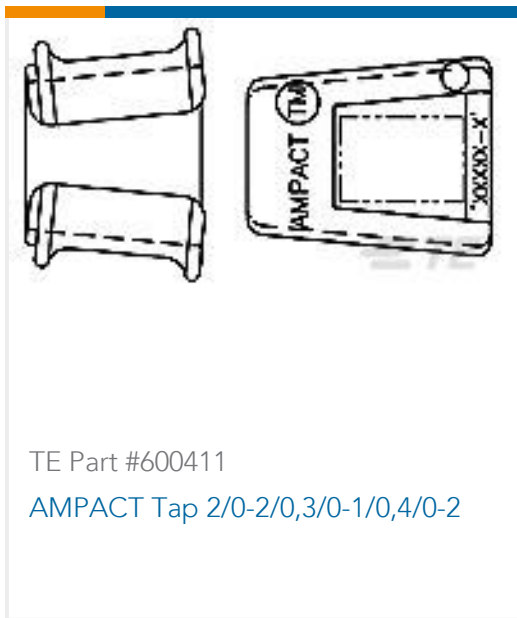
Product Compliance Disclaimer

This information is provided based on reasonable inquiry of our suppliers and represents our current actual knowledge based on the information they provided. This information is subject to change. The part numbers that TE has identified as EU RoHS compliant have a maximum concentration of 0.1% by weight in homogenous materials for lead, hexavalent chromium, mercury, PBB, PBDE, DBP, BBP, DEHP, DIBP, and 0.01% for cadmium, or qualify for an exemption to these limits as defined in the Annexes of Directive 2011/65/EU (RoHS2). Finished electrical and electronic equipment products will be CE marked as required by Directive 2011/65/EU. Components may not be CE marked. Additionally, the part numbers that TE has identified as EU ELV compliant have a maximum concentration of 0.1% by weight in homogenous materials for lead, hexavalent chromium, and mercury, and 0.01% for cadmium, or qualify for an exemption to these limits as defined in the Annexes of Directive 2000/53/EC (ELV). Regarding the REACH Regulation, the information TE provides on SVHC in articles for this part number is based on the latest European Chemicals Agency (ECHA) 'Guidance on requirements for substances in articles' posted at this URL: <https://echa.europa.eu/guidance-documents/guidance-on-reach>

Compatible Parts



Customers Also Bought



Documents

Product Drawings

C 75 E

French

Datasheets & Catalog Pages

CRIMP CONNECTORS

English