

595782-000 ✓ ACTIVE

UTILUX | UTILUX AG

TE Internal #: 595782-000

Compression, ≤ 1 kV, Aluminum, Hexagonal Crimping, Aluminum,
Indoor / Outdoor, Aluminium, UTILUX AG, Compression
Connectors

[View on TE.com >](#)



Energy & Power > Power Systems Connectors > Compression Connectors



Product Availability: **Australia, New Zealand & Pacific Islands**

Installation Technology: **Compression**

Voltage Class: **≤ 1 kV**

Compatible Conductor Material: **Aluminum**

Crimp Type: **Hexagonal Crimping**

Features

Product Type Features

Installation Technology	Compression
-------------------------	-------------

Configuration Features

Number of Holes	0
-----------------	---

Electrical Characteristics

Voltage Class	≤ 1 kV
---------------	--------

Body Features

Conductor Type	Stranded
Compression Barrel Type	Standard
Compatible Conductor Material	Aluminum
Primary Product Material	Aluminum
Palm Terminal Material	Aluminium

Contact Features

Crimp Type	Hexagonal Crimping
------------	--------------------

Dimensions

Lug Length	73 mm[2.874 in]
Barrel Outside Diameter	16 mm[.629 in]
Barrel Length	32.5 mm[1.279 in]



Lug Width	26 mm[1.024 in]
Barrel Inside Diameter	9.5 mm[.374 in]
Compatible Conductor Range	1/0 – 1/0 AWG/kcmil
Compatible Conductor Cross-Section Range	50 mm ²

Operation/Application

Power Component Application Type	Indoor, Outdoor
Compression Connector Product Type	Terminal Lug

Product Availability

Product Availability	Australia, New Zealand & Pacific Islands
----------------------	--

Product Compliance

[For compliance documentation, visit the product page on TE.com>](#)

EU RoHS Directive 2011/65/EU	Compliant
EU ELV Directive 2000/53/EC	Compliant
China RoHS 2 Directive MIIT Order No 32, 2016	有害物质含量符合标准要求 No Restricted Substance(s) Above Threshold
EU REACH Regulation (EC) No. 1907/2006	Current ECHA Candidate List: JUNE 2025 (250) Candidate List Declared Against: JUNE 2025 (250) Does not contain REACH SVHC
Halogen Content	Low Halogen - Br, Cl, F < 900 ppm per homogenous material. Also BFR/CFR/PVC Free
Solder Process Capability	Not applicable for solder process capability

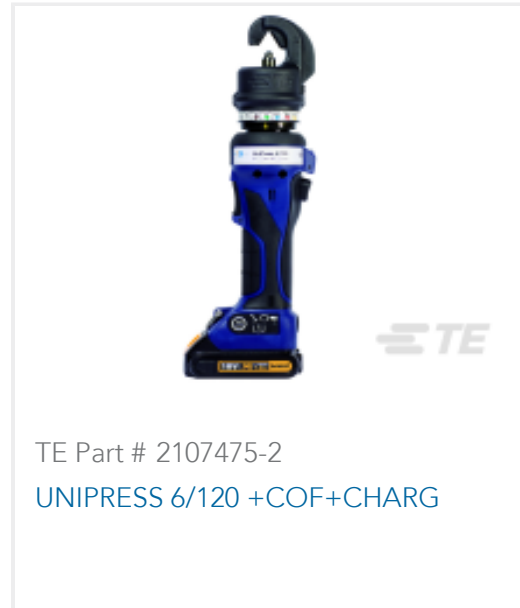
Product Compliance Disclaimer

This information is provided based on reasonable inquiry of our suppliers and represents our current actual knowledge based on the information they provided. This information is subject to change. The part numbers that TE has identified as EU RoHS compliant have a maximum concentration of 0.1% by weight in homogenous materials for lead, hexavalent chromium, mercury, PBB, PBDE, DBP, BBP, DEHP, DIBP, and 0.01% for cadmium, or qualify for an exemption to these limits as defined in the Annexes of Directive 2011/65/EU (RoHS2). Finished electrical and electronic equipment products will be CE marked as required by Directive 2011/65/EU. Components may not be CE marked. Additionally, the part numbers that TE has identified as EU ELV compliant have a maximum concentration of 0.1% by weight in homogenous materials for lead, hexavalent chromium, and mercury, and 0.01% for cadmium, or qualify for an exemption to these limits as defined in the Annexes of Directive 2000/53/EC (ELV). Regarding the REACH Regulation, the information TE provides on SVHC in articles for this part number is based on the latest European Chemicals Agency (ECHA) 'Guidance on requirements for substances in articles' posted at this URL: <https://echa.europa.eu/guidance-documents/guidance-on-reach>

Compatible Parts



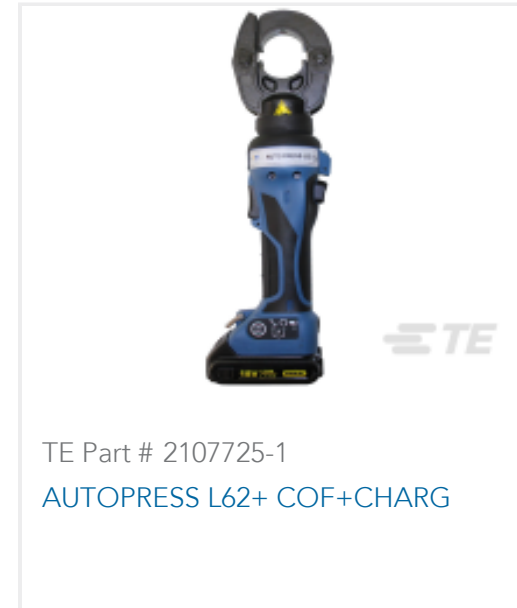

TE Part # 2107730-1
AutoPress 80 18V+COF+CHARG



TE Part # 2107475-2
UNIPRESS 6/120 +COF+CHARG

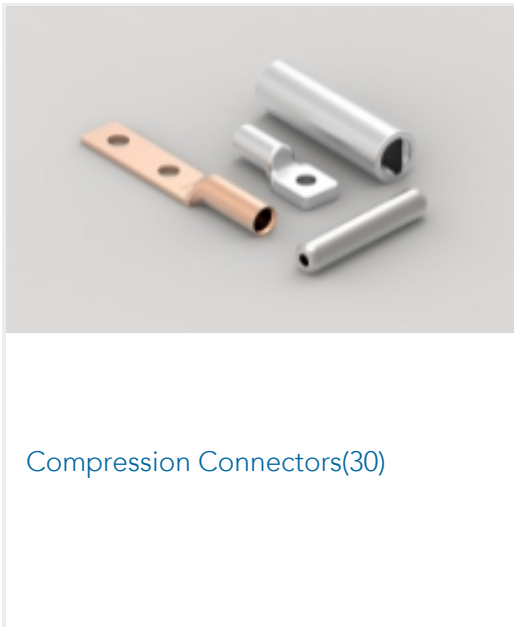


TE Part # 2107733-4
AUTOPRESS C120 18V+COF+CHARG 110V



TE Part # 2107725-1
AUTOPRESS L62+ COF+CHARG

Also in the Series | UTILUX AG



Compression Connectors(30)

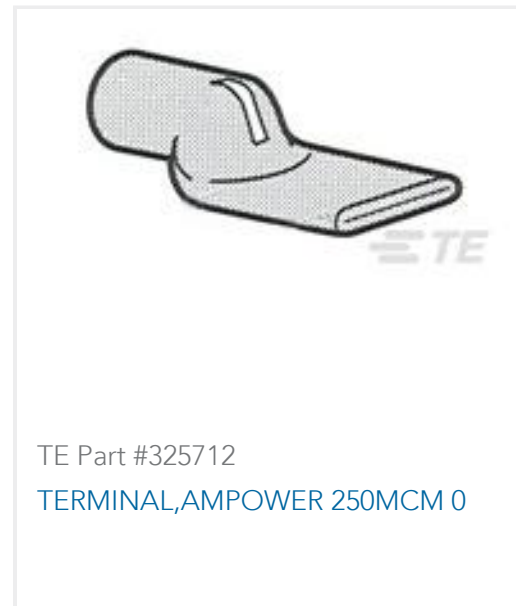
Customers Also Bought



TE Part #EN3750-799
TCTS-500-1/2-U



TE Part #EN3750-775
TCTS-3/0-1/2-U



TE Part #325712
TERMINAL,AMPOWER 250MCM 0



TE Part #2-326111-1
TERMINAL,AMPOWER UNPL 500MCM 0



TE Part #1-1393139-8
MDR-170-1=MDR



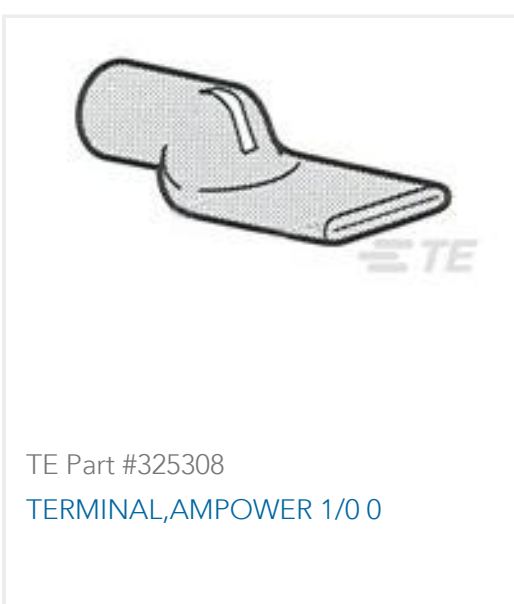
TE Part #6-1393139-3
MDR-5061=MDR



TE Part #8-1437470-5
SSC12AIA=120VAC 50/60HZ 3/60 M



TE Part #3-1879351-7
RR01 5% 91K AMMO



TE Part #325308
TERMINAL,AMPOWER 1/0 0



TE Part #6-1393139-2
MDR-5060=MDR



Documents

Product Drawings

[AG50MB/1](#)

English

Datasheets & Catalog Pages

[EPP-2487-DDS14-AU-AG-UTILUX](#)

English