



AST | AST46PT

TE Internal #: 20023104-00

Industrial Pressure Transducer, Sealed Gauge, 0 – 5 V Output

Signal, 2X Rated Proof Pressure Range, AST46PT

[View on TE.com >](#)

Sensors > Pressure Sensors > Pressure Transducers > Explosion-Proof Pressure and Temperature Transducer



Pressure Sensor Type: **Industrial Pressure Transducer**

Pressure Type: **Sealed Gauge**

Hazardous Area Approval: **Explosion Proof**

Output Signal Type: **0 – 5 V**

Pressure: **700 bar [10152.64 psi]**

[All Explosion-Proof Pressure and Temperature Transducer \(12\)](#)

Features

Product Type Features

Pressure Sensor Type	Industrial Pressure Transducer
Pressure Type	Sealed Gauge

Configuration Features

Electrical Connection	Cable 2 m
-----------------------	-----------

Electrical Characteristics

Supply Voltage Range	10 – 28 V
----------------------	-----------

Body Features

Port Material	316L
---------------	------

Dimensions

Product Diameter	25.4 mm[1 in]
Product Length	1896.3 mm[74.66 in]

Usage Conditions

Pressure	700 bar[10152.64 psi]
Operating Temperature Range	-40 – 85 °C[-40 – 185 °F]

Operation/Application

Output Signal Type	0 – 5 V
--------------------	---------



Proof Pressure Range	2X Rated
----------------------	----------

Pressure Accuracy	±0.1% FSO
-------------------	-----------

Industry Standards

Compatible With Agency/Standards Products	UL
---	----

Hazardous Area Approval	Explosion Proof
-------------------------	-----------------

Other

Sensor Options	No Option
----------------	-----------

Port Fitting	1/4 FNPT
--------------	----------

Product Compliance

[For compliance documentation, visit the product page on TE.com>](#)

EU RoHS Directive 2011/65/EU	Not Yet Reviewed
------------------------------	------------------

EU ELV Directive 2000/53/EC	Not Yet Reviewed
-----------------------------	------------------

China RoHS 2 Directive MIIT Order No 32, 2016	未针对中国 RoHS 符合性进行审核 Not reviewed for China RoHS compliance
---	---

EU REACH Regulation (EC) No. 1907/2006	<p>Current ECHA Candidate List: JUNE 2025 (250)</p> <p>Candidate List Declared Against: JUNE 2025 (250)</p> <p>SVHC > Threshold:</p> <p>2-methyl-1-(4-methylthiophenyl)-2-morpholinopropan-1-one (3.91% in 17996077191)</p> <p>Pb (80.3% in Component Part)</p>
--	--

Article Safe Usage Statements:

Do not eat, drink or smoke when using this product. Wash thoroughly after handling. Recycle if possible and dispose of the article by following all applicable governmental regulations relevant to your geographic location.

Halogen Content	Not Yet Reviewed for halogen content
-----------------	--------------------------------------

Solder Process Capability	Not reviewed for solder process capability
---------------------------	--

Product Compliance Disclaimer

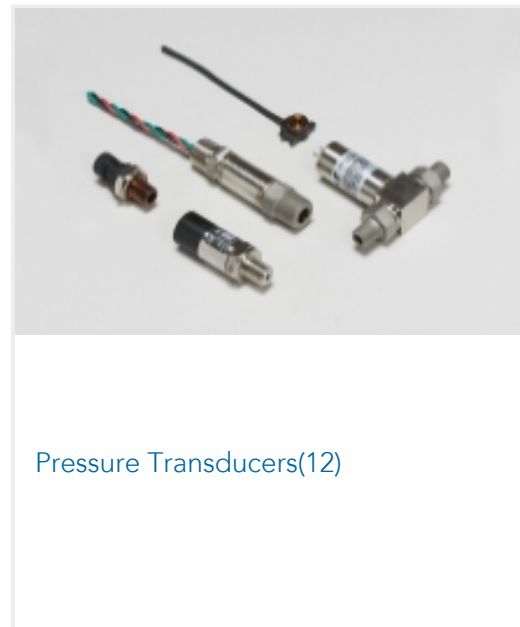
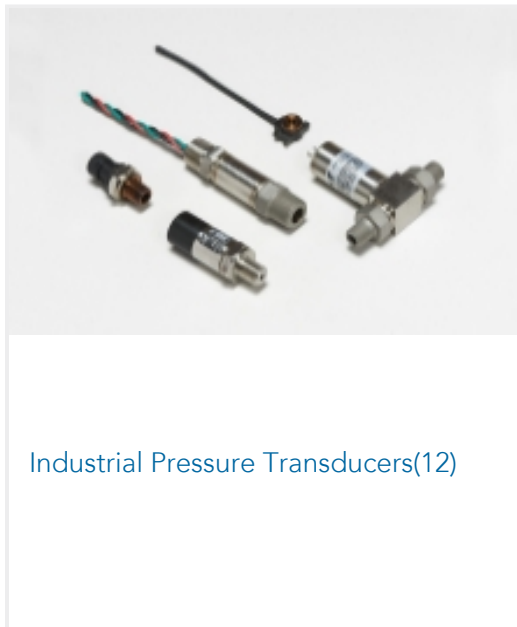
This information is provided based on reasonable inquiry of our suppliers and represents our current actual knowledge based on the information they provided. This information is subject to change. The part numbers that TE has identified as EU RoHS compliant have a maximum concentration of 0.1% by weight in homogenous materials for lead, hexavalent chromium, mercury, PBB, PBDE, DBP, BBP, DEHP, DIBP, and 0.01% for cadmium, or qualify for an exemption to these limits as defined in the Annexes of Directive 2011/65/EU (RoHS2). Finished electrical and electronic equipment products will be CE marked as required by Directive 2011/65/EU. Components may not be CE marked. Additionally, the part numbers that TE has identified as EU ELV compliant have a maximum concentration of 0.1% by weight in homogenous materials for lead, hexavalent chromium, and mercury, and 0.01% for cadmium, or qualify for an exemption to these limits as defined in the Annexes of Directive 2000/53/EC (ELV). Regarding the REACH Regulations, TE's information on SVHC in articles for this part number is still based on the European Chemical Agency (ECHA) 'Guidance on requirements for substances in articles' (Version: 2, April 2011), applying the 0.1% weight on weight concentration threshold at the finished product level. TE is aware of the European Court of Justice ruling of September 10th, 2015 also known as O5A (Once An Article Always An Article) stating that, in case of 'complex object', the threshold for a SVHC must be applied to both the product as a whole and simultaneously to each of the articles forming part of its composition. TE has evaluated this ruling

based on the new ECHA "Guidance on requirements for substances in articles" (June 2017, version 4.0) and will be updating its statements accordingly.

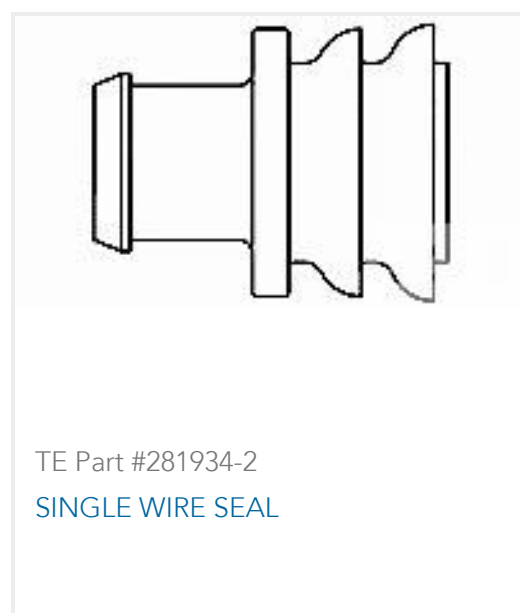
Compatible Parts



Also in the Series | **AST46PT**



Customers Also Bought



Documents

[Datasheets & Catalog Pages](#)
[AST46PT Datasheet](#)



English