



AST | [AST4500/4510](#)

TE Internal #: 11108359-00

Industrial Pressure Transducer / Submersible Pressure Transducer,  
Gauge, 4 – 20 mA Output Signal, 2X, Min Proof Pressure Range,  
AST4500/4510

[View on TE.com >](#)

Sensors > Pressure Sensors > Pressure Transducers > IS Rated Submersible Transducer



Pressure Sensor Type: **Industrial Pressure Transducer, Submersible Pressure Transducer**

Pressure Type: **Gauge**

Output Signal Type: **4 – 20 mA**

Pressure: **.17 bar [ 2.5 psi ]**

Supply Voltage Range: **10 – 28 V**

[All IS Rated Submersible Transducer \(33\)](#)

## Features

### Product Type Features

Pressure Sensor Type	Industrial Pressure Transducer, Submersible Pressure Transducer
Pressure Type	Gauge

### Configuration Features

Electrical Connection	Conduit 10 ft
-----------------------	---------------

### Electrical Characteristics

Supply Voltage Range	10 – 28 V
----------------------	-----------

### Body Features

Port Material	316L
---------------	------

### Dimensions

Product Diameter	22.22 mm[.875 in]
Product Length	3154.6 mm[124.2 in]

### Usage Conditions

Pressure	.17 bar[2.5 psi]
Operating Temperature Range	-40 – 80 °C[-40 – 176 °F]

### Operation/Application



Output Signal Type	4 – 20 mA
Proof Pressure Range	2X, Min
Pressure Accuracy	±0.25% FSO

### Industry Standards

Compatible With Agency/Standards Products	UL
---	----

### Other

Sensor Options	IP68 Protection
Port Fitting	Nose Cone

## Product Compliance

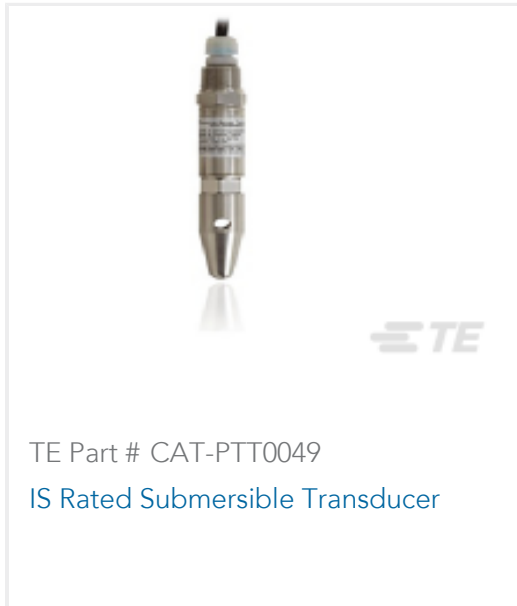
[For compliance documentation, visit the product page on TE.com>](#)

EU RoHS Directive 2011/65/EU	Compliant
EU ELV Directive 2000/53/EC	Compliant with Exemptions
China RoHS 2 Directive MIIT Order No 32, 2016	有害物质含量符合标准要求 No Restricted Substance(s) Above Threshold
EU REACH Regulation (EC) No. 1907/2006	Current ECHA Candidate List: JUNE 2025 (250) Candidate List Declared Against: JUNE 2025 (250) SVHC > Threshold: 2-methyl-1-(4-methylthiophenyl)-2-morpholinopropan-1-one (3.9% in 17980139677)
Halogen Content	Not Yet Reviewed for halogen content
Solder Process Capability	Not reviewed for solder process capability

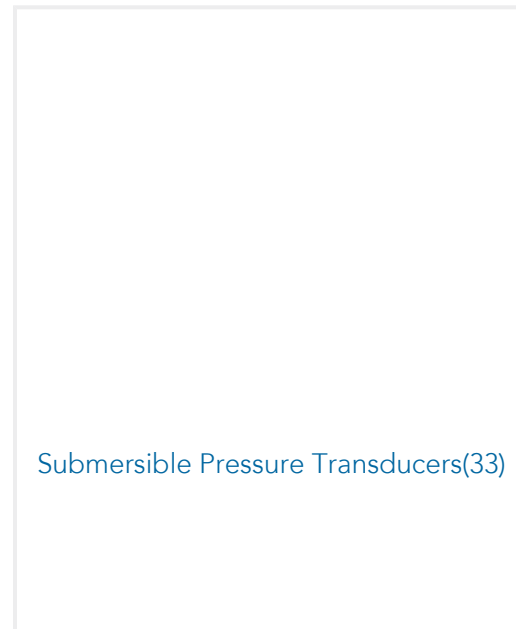
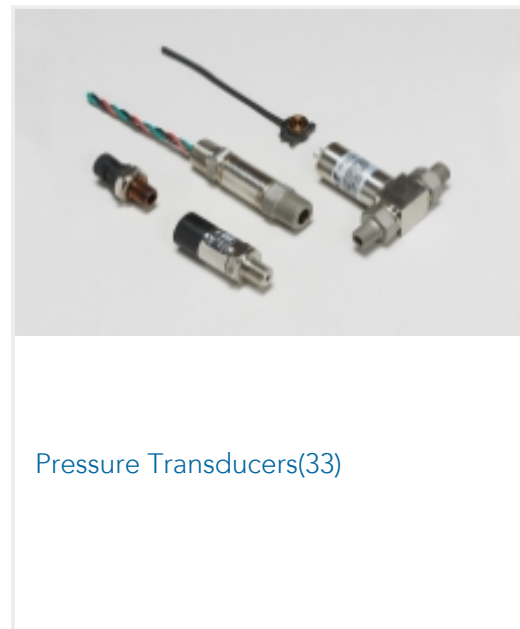
#### Product Compliance Disclaimer

This information is provided based on reasonable inquiry of our suppliers and represents our current actual knowledge based on the information they provided. This information is subject to change. The part numbers that TE has identified as EU RoHS compliant have a maximum concentration of 0.1% by weight in homogenous materials for lead, hexavalent chromium, mercury, PBB, PBDE, DBP, BBP, DEHP, DIBP, and 0.01% for cadmium, or qualify for an exemption to these limits as defined in the Annexes of Directive 2011/65/EU (RoHS2). Finished electrical and electronic equipment products will be CE marked as required by Directive 2011/65/EU. Components may not be CE marked. Additionally, the part numbers that TE has identified as EU ELV compliant have a maximum concentration of 0.1% by weight in homogenous materials for lead, hexavalent chromium, and mercury, and 0.01% for cadmium, or qualify for an exemption to these limits as defined in the Annexes of Directive 2000/53/EC (ELV). Regarding the REACH Regulations, TE's information on SVHC in articles for this part number is still based on the European Chemical Agency (ECHA) 'Guidance on requirements for substances in articles' (Version: 2, April 2011), applying the 0.1% weight on weight concentration threshold at the finished product level. TE is aware of the European Court of Justice ruling of September 10th, 2015 also known as O5A (Once An Article Always An Article) stating that, in case of 'complex object', the threshold for a SVHC must be applied to both the product as a whole and simultaneously to each of the articles forming part of its composition. TE has evaluated this ruling based on the new ECHA "Guidance on requirements for substances in articles" (June 2017, version 4.0) and will be updating its statements accordingly.

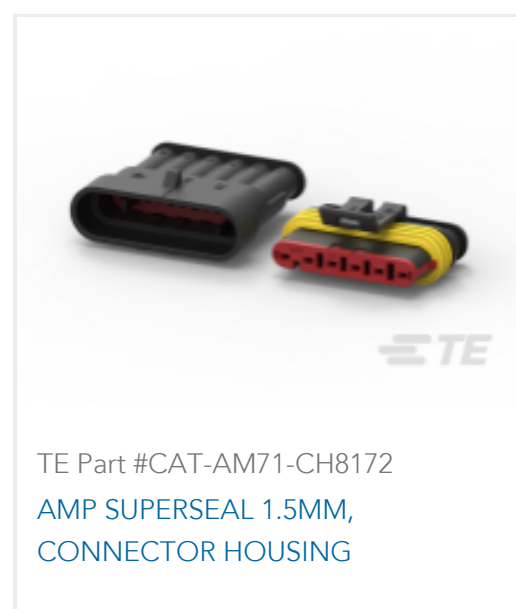
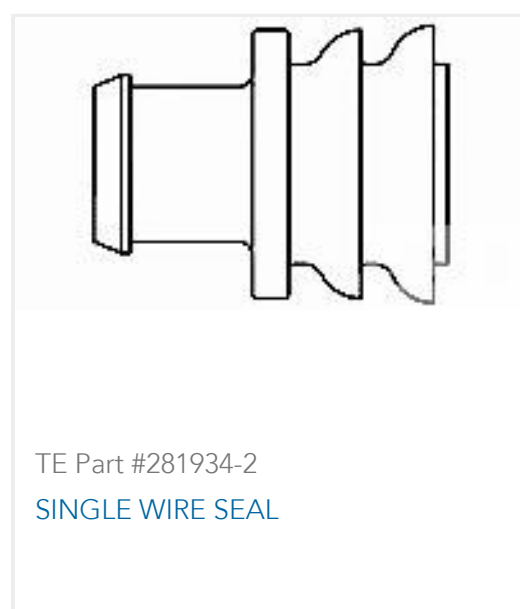
## Compatible Parts



## Also in the Series | **AST4500/4510**



## Customers Also Bought



## Documents

[CAD Files](#)

[3D PDF](#)

[3D](#)

[Customer View Model](#)



[ENG\\_CVM\\_CVM\\_11108359-00\\_A.2d\\_dxf.zip](#)

English

**Customer View Model**

[ENG\\_CVM\\_CVM\\_11108359-00\\_A.3d\\_igs.zip](#)

English

**Customer View Model**

[ENG\\_CVM\\_CVM\\_11108359-00\\_A.3d\\_stp.zip](#)

English

By downloading the CAD file I accept and agree to the [Terms and Conditions](#) of use.

---

## Datasheets & Catalog Pages

[AST4500/AST4510 Datasheet](#)

English