



[AST](#) | [AST4300](#)

TE Internal #: 11106346-00

TE Internal Description: 300 PSI, 7/16-20M, 4-20mA, Conduit, 10ft

[View on TE.com >](#)

Sensors > Pressure Sensors > Pressure Transducers



Pressure Transducer Sensor Type: **Non-Incendive Pressure Transducer**

Pressure Range: **0 – 300 psi**

Pressure: **20.68 bar [300 psi]**

Output/Span: **4 – 20 mA**

Pressure Type: **Gage**

Features

Product Type Features

Pressure Transducer Sensor Type	Non-Incendive Pressure Transducer
Pressure Type	Gage

Configuration Features

Electrical Connection	Conduit 10 ft
Pressure Port/Fitting	7/16-20 UNF Male

Electrical Characteristics

Pressure Transducer Supply Voltage	10 – 28 V
------------------------------------	-----------

Body Features

Port Material	316L
---------------	------

Usage Conditions

Pressure	20.68 bar[300 psi]
Operating Temperature Range	-40 – 80 °C[-40 – 176 °F]

Operation/Application

Proof Pressure Range	2X, Min
Pressure Range	0 – 300 psi
Output/Span	4 – 20 mA
Pressure Accuracy	±0.25% FSO

Other

Options	No Option
---------	-----------

Product Compliance

[For compliance documentation, visit the product page on TE.com>](#)

EU RoHS Directive 2011/65/EU	Not Yet Reviewed
EU ELV Directive 2000/53/EC	Compliant with Exemptions
China RoHS 2 Directive MIIT Order No 32, 2016	Restricted Materials Above Threshold
EU REACH Regulation (EC) No. 1907/2006	Current ECHA Candidate List: JUL 2021 (219) Not Yet Reviewed
Halogen Content	Not Yet Reviewed for halogen content
Solder Process Capability	Not reviewed for solder process capability

Product Compliance Disclaimer

This information is provided based on reasonable inquiry of our suppliers and represents our current actual knowledge based on the information they provided. This information is subject to change. The part numbers that TE has identified as EU RoHS compliant have a maximum concentration of 0.1% by weight in homogenous materials for lead, hexavalent chromium, mercury, PBB, PBDE, DBP, BBP, DEHP, DIBP, and 0.01% for cadmium, or qualify for an exemption to these limits as defined in the Annexes of Directive 2011/65/EU (RoHS2). Finished electrical and electronic equipment products will be CE marked as required by Directive 2011/65/EU. Components may not be CE marked. Additionally, the part numbers that TE has identified as EU ELV compliant have a maximum concentration of 0.1% by weight in homogenous materials for lead, hexavalent chromium, and mercury, and 0.01% for cadmium, or qualify for an exemption to these limits as defined in the Annexes of Directive 2000/53/EC (ELV). Regarding the REACH Regulations, TE's information on SVHC in articles for this part number is still based on the European Chemical Agency (ECHA) 'Guidance on requirements for substances in articles' (Version: 2, April 2011), applying the 0.1% weight on weight concentration threshold at the finished product level. TE is aware of the European Court of Justice ruling of September 10th, 2015 also known as O5A (Once An Article Always An Article) stating that, in case of 'complex object', the threshold for a SVHC must be applied to both the product as a whole and simultaneously to each of the articles forming part of its composition. TE has evaluated this ruling based on the new ECHA "Guidance on requirements for substances in articles" (June 2017, version 4.0) and will be updating its statements accordingly.

Compatible Parts



TE Part # 11105596-00
20 BAR, 1/4MNPT, 4-20mA, Conduit, 10ft.,



TE Part # 11106330-00
3000 PSI, 1/4BSP Male, 4-20mA, Cond, 10f



TE Part # 11106356-00
7500 PSI, 7/16-20UNFMale, 4-20mA, Conduit, 4



TE Part # 11106541-00
300 PSI, 1/2MNPT, 4-20mA, Conduit, 10ft.



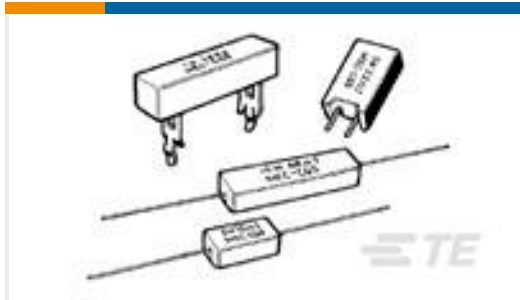
TE Part # 11106542-00
300 PSI, 1/2MNPT, 4-20mA, Conduit,
10ft.

Also in the Series | AST4300



Pressure Transducers(118)

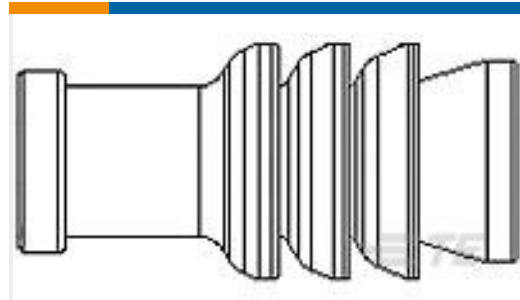
Customers Also Bought



TE Part #1623795-1
SOP10 100R 5% WIRE



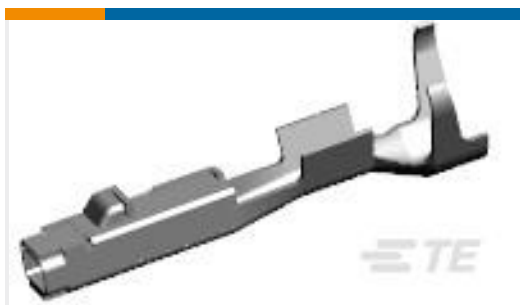
TE Part #292304-1
STD USB TYPE B, R/A, T/H



TE Part #967067-1
MQS SGL WIRE SEAL



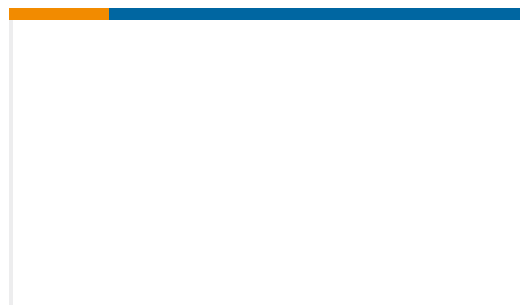
TE Part #5-963716-2
MQS0,63 Au tab LL unseal. 0,5-0,75



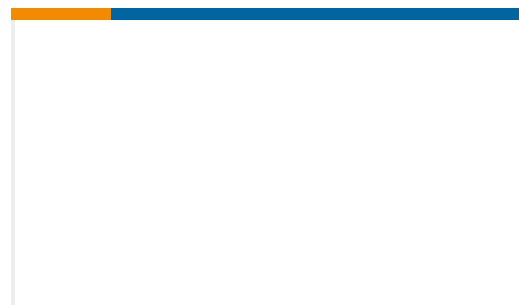
TE Part #1670146-3
MCON 1.2 CB REC SWS AG



TE Part #4-2103015-2
PLUG SUBASSY, B, HVA280-2PHM F



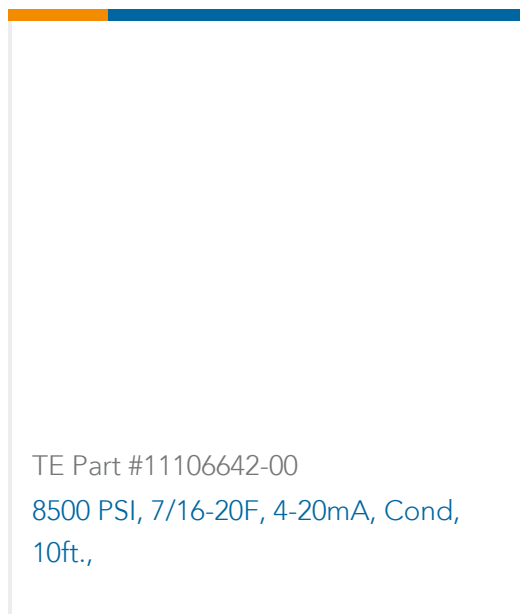
TE Part #11104313-00
6500 PSI, 7/16-20UNF Male, 4-20mA,
Deuts



TE Part #11190550-00
30 PSI, 7/16-20UNF MALE, 4-20MA,
CABLE,



TE Part #20017902-00
AST4300A00200P4N1000-SS: CTO-
13000000-03



TE Part #11106642-00
8500 PSI, 7/16-20F, 4-20mA, Cond,
10ft.,



Documents

CAD Files

3D PDF

3D

Customer View Model

[ENG_CVM_CVM_11106346-00_A.2d_dxf.zip](#)

English

Customer View Model

[ENG_CVM_CVM_11106346-00_A.3d_igs.zip](#)

English

Customer View Model

[ENG_CVM_CVM_11106346-00_A.3d_stp.zip](#)

English

By downloading the CAD file I accept and agree to the [Terms and Conditions](#) of use.

Datasheets & Catalog Pages

[AST4300 Pressure Transducer Datasheet](#)

English