



MEAS | MEAS PT9

TE Internal #: 04-0974-0485

TE Internal Description: PT9101-1200-112-4130

PT9EXT, HARSH-ENVIRONMENT SERIES

[View on TE.com >](#)

Sensors > Position Sensors > Potentiometer Sensors > Cable Actuated Position Sensors > PT9EXT, HARSH-ENVIRONMENT SERIES



Position Sensor Product Type: **Industrial String Potentiometer**

Full Stroke Range: **30480 mm [ 1200 in ]**

Output Signal Type: **Voltage Divider (Potentiometric)**

Accuracy: **±.1 % of FS**

Repeatability: **.02 % of FS**

[All PT9EXT, HARSH-ENVIRONMENT SERIES \(43\)](#)

## Features

### Product Type Features

|                              |                                 |
|------------------------------|---------------------------------|
| Position Sensor Product Type | Industrial String Potentiometer |
|------------------------------|---------------------------------|

### Body Features

|               |          |
|---------------|----------|
| Case Material | Aluminum |
|---------------|----------|

### Dimensions

|                   |                   |
|-------------------|-------------------|
| Full Stroke Range | 30480 mm[1200 in] |
|-------------------|-------------------|

### Usage Conditions

|                             |                           |
|-----------------------------|---------------------------|
| Accuracy                    | ±.1 % of FS               |
| Operating Temperature Range | -40 – 90 °C[-40 – 194 °F] |

### Operation/Application

|                    |                                  |
|--------------------|----------------------------------|
| Output Signal Type | Voltage Divider (Potentiometric) |
|--------------------|----------------------------------|

### Industry Standards

|           |      |
|-----------|------|
| IP Rating | IP65 |
|-----------|------|

### Other

|                 |                                            |
|-----------------|--------------------------------------------|
| Encoder Drive   | No                                         |
| Repeatability   | .02 % of FS                                |
| Measuring Cable | .019 Inch Dia Nylon-Coated Stainless Steel |

## Product Compliance

[For compliance documentation, visit the product page on TE.com>](#)

|                                               |                                                                  |
|-----------------------------------------------|------------------------------------------------------------------|
| EU RoHS Directive 2011/65/EU                  | Not Compliant                                                    |
| EU ELV Directive 2000/53/EC                   | Not Yet Reviewed                                                 |
| China RoHS 2 Directive MIIT Order No 32, 2016 | 有害物质含量超出标准 Restricted Substance(s) Above Threshold               |
| EU REACH Regulation (EC) No. 1907/2006        | Current ECHA Candidate List: JUNE 2025 (250)<br>Not Yet Reviewed |
| Halogen Content                               | Not Yet Reviewed for halogen content                             |
| Solder Process Capability                     | Not reviewed for solder process capability                       |

### Product Compliance Disclaimer

This information is provided based on reasonable inquiry of our suppliers and represents our current actual knowledge based on the information they provided. This information is subject to change. The part numbers that TE has identified as EU RoHS compliant have a maximum concentration of 0.1% by weight in homogenous materials for lead, hexavalent chromium, mercury, PBB, PBDE, DBP, BBP, DEHP, DIBP, and 0.01% for cadmium, or qualify for an exemption to these limits as defined in the Annexes of Directive 2011/65/EU (RoHS2). Finished electrical and electronic equipment products will be CE marked as required by Directive 2011/65/EU. Components may not be CE marked. Additionally, the part numbers that TE has identified as EU ELV compliant have a maximum concentration of 0.1% by weight in homogenous materials for lead, hexavalent chromium, and mercury, and 0.01% for cadmium, or qualify for an exemption to these limits as defined in the Annexes of Directive 2000/53/EC (ELV). Regarding the REACH Regulations, TE's information on SVHC in articles for this part number is still based on the European Chemical Agency (ECHA) 'Guidance on requirements for substances in articles' (Version: 2, April 2011), applying the 0.1% weight on weight concentration threshold at the finished product level. TE is aware of the European Court of Justice ruling of September 10th, 2015 also known as O5A (Once An Article Always An Article) stating that, in case of 'complex object', the threshold for a SVHC must be applied to both the product as a whole and simultaneously to each of the articles forming part of its composition. TE has evaluated this ruling based on the new ECHA "Guidance on requirements for substances in articles" (June 2017, version 4.0) and will be updating its statements accordingly.

## Compatible Parts



Also in the Series | [MEAS PT9](#)



Cable Actuated Position Sensors(395)

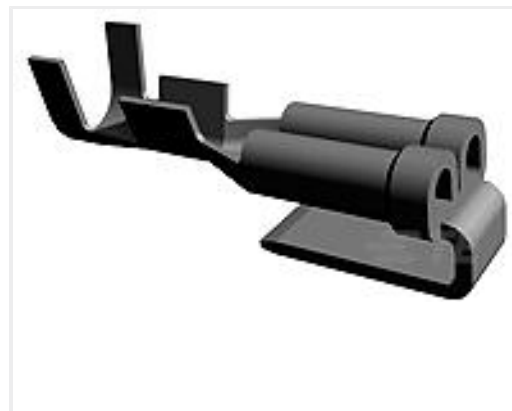
## Customers Also Bought



TE Part #CAT-T3437-H99  
HX-SCE Low Fire Hazard Sleeves



TE Part #EG3241-000  
LWB-101-20.0 (50)



TE Part #62003-1  
110 FASTON REC 22-16 AWG BR



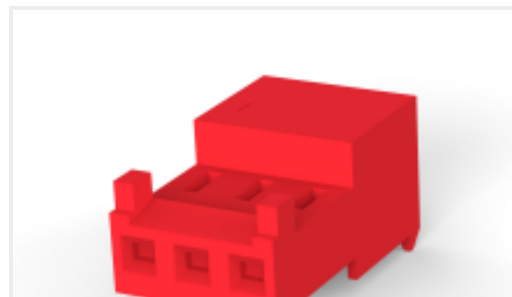
TE Part #5-103956-6  
2X7 MTE RCPT SR LATCH .100CL



TE Part #1-534998-7  
34 MODIV VRT DR CE 100/125



TE Part #3-640427-7  
07P MTA156 CONN ASSY 20AWG YEL



TE Part #CAT-104MTA-NTPMR  
Nylon Tin Plated Receptacle: 2.54 mm,  
with Mating Alignment, MTA 100



TE Part #2-1624112-6  
3650 0402 36nH 5% 2K RL

## Documents

### Datasheets & Catalog Pages

[PT9101](#)

English