



MEAS | MEAS PTX101

TE Internal #: 04-0760-0260

TE Internal Description: PTX101-0030-111-1110

100in. Range Cable Extension Transducer

[View on TE.com >](#)

Sensors > Position Sensors > Potentiometer Sensors > Cable Actuated Position Sensors > 100in. Range Cable Extension Transducer



Position Sensor Product Type: **Instrument Grade Potentiometer**

Full Stroke Range: **762 mm [ 30 in ]**

Output Signal Type: **Voltage Divider (Potentiometric)**

Accuracy: **±.1 % of FS**

Repeatability: **.02 % of FS**

[All 100in. Range Cable Extension Transducer \(169\)](#)

## Features

### Product Type Features

Position Sensor Product Type	Instrument Grade Potentiometer
------------------------------	--------------------------------

### Body Features

Case Material	Aluminum
---------------	----------

### Dimensions

Full Stroke Range	762 mm[30 in]
-------------------	---------------

### Usage Conditions

Accuracy	±.1 % of FS
Operating Temperature Range	-40 – 90 °C[-40 – 194 °F]

### Operation/Application

Output Signal Type	Voltage Divider (Potentiometric)
--------------------	----------------------------------

### Industry Standards

IP Rating	IP50
-----------	------

### Other

Encoder Drive	No
Repeatability	.02 % of FS
Measuring Cable	.019 Inch Dia Nylon-Coated Stainless Steel



## Product Compliance

[For compliance documentation, visit the product page on TE.com>](#)

EU RoHS Directive 2011/65/EU	Compliant with Exemptions
EU ELV Directive 2000/53/EC	Not Yet Reviewed
China RoHS 2 Directive MIIT Order No 32, 2016	有害物质含量超出标准 Restricted Substance(s) Above Threshold
EU REACH Regulation (EC) No. 1907/2006	Current ECHA Candidate List: JUNE 2025 (250) Candidate List Declared Against: JUNE 2025 (250) SVHC > Threshold: Pb (3.5% in Component Part) <b>Article Safe Usage Statements:</b> Do not eat, drink or smoke when using this product. Wash thoroughly after handling. Recycle if possible and dispose of the article by following all applicable governmental regulations relevant to your geographic location.
Halogen Content	Not Yet Reviewed for halogen content
Solder Process Capability	Not reviewed for solder process capability

### Product Compliance Disclaimer

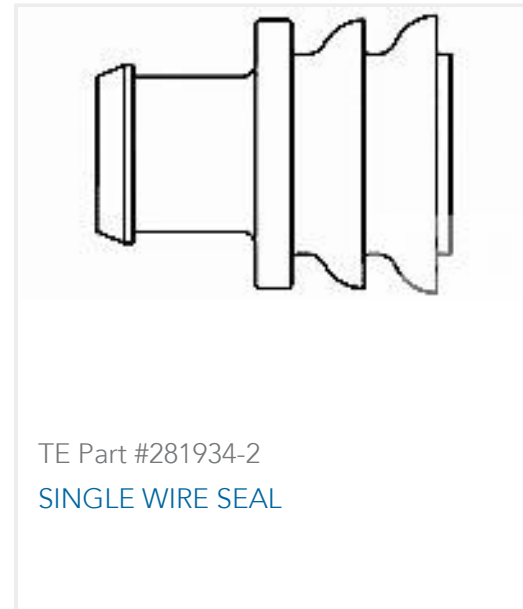
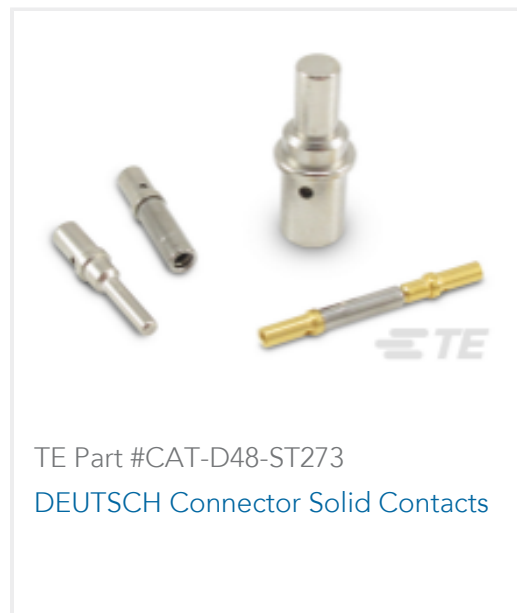
This information is provided based on reasonable inquiry of our suppliers and represents our current actual knowledge based on the information they provided. This information is subject to change. The part numbers that TE has identified as EU RoHS compliant have a maximum concentration of 0.1% by weight in homogenous materials for lead, hexavalent chromium, mercury, PBB, PBDE, DBP, BBP, DEHP, DIBP, and 0.01% for cadmium, or qualify for an exemption to these limits as defined in the Annexes of Directive 2011/65/EU (RoHS2). Finished electrical and electronic equipment products will be CE marked as required by Directive 2011/65/EU. Components may not be CE marked. Additionally, the part numbers that TE has identified as EU ELV compliant have a maximum concentration of 0.1% by weight in homogenous materials for lead, hexavalent chromium, and mercury, and 0.01% for cadmium, or qualify for an exemption to these limits as defined in the Annexes of Directive 2000/53/EC (ELV). Regarding the REACH Regulation, the information TE provides on SVHC in articles for this part number is based on the latest European Chemicals Agency (ECHA) 'Guidance on requirements for substances in articles' posted at this URL: <https://echa.europa.eu/guidance-documents/guidance-on-reach>

## Also in the Series | MEAS PTX101



Cable Actuated Position Sensors(169)

## Customers Also Bought



## Documents

### Datasheets & Catalog Pages

PTX101

English