

Weatherproof Metallic Lampholders

Lampholders, Garden Lights and Accessories

Applications:

- Security and general outdoor lighting fixture for residential and commercial applications
- Accent lighting fixture for highlighting outdoor signs and architectural details
- Compact outdoor lighting fixture which can be mounted easily in most places and can be aimed in any direction

Features/Benefits:

- Clean lines and precision manufacturing result in a fixture which will enhance any application
- High-quality replaceable porcelain socket with high-temperature leads enables easy field maintenance
- Positive-locking mounting arm keeps fixture in aimed position to reduce costly call-backs
- Ground screw boss in arm

Standard Materials:

- Fixture: Certified die-cast zinc alloy ZAMAK 3
- Gasket: Heat-resistant composition or high-temperature silicone
- Socket: Center contact, porcelain, medium base

Standard Finish:

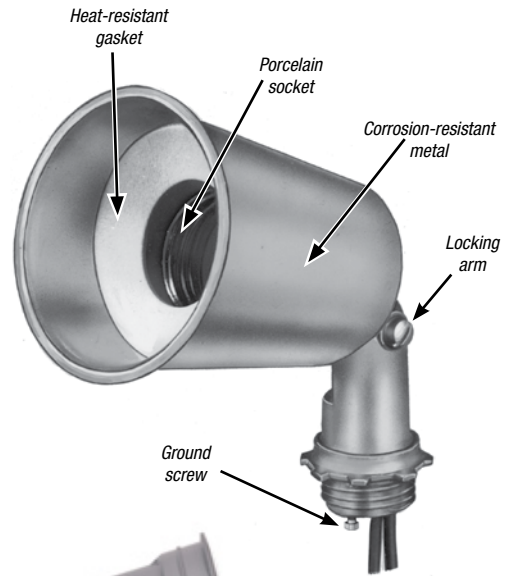
- Powder-coated finish
- Chrome-plated zinc

Compliances:

- UL® Listed
- Suitable for use in wet locations

Sample Specifications:

Lampholders shall be certified die-cast zinc alloy ZAMAK 3. Lampholder will have positive-locking mounting arm and replaceable socket. Fixture shall be Red•Dot® Dry-Tite®.
 Catalog No. _____ for use with _____ Watt incandescent lamp.



L-80-D



L-80



L-800



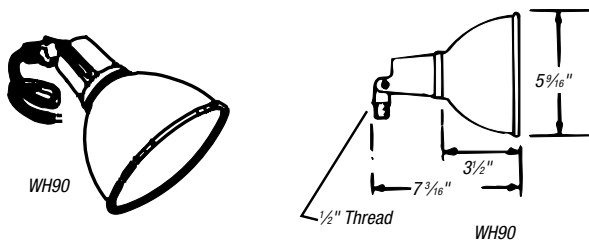
2L80D2

Weatherproof Metallic Lampholders

Use with Medium-Base PAR Lamps to 150 Watts.

Lampholders and Assemblies

Hooded Lampholders



- Heavy-duty die-cast zinc lampholder
- Corrosion-resistant aluminum hood
- Factory provided with a 3-wire, 8" pre-stripped lead

CAT. NO.	DESCRIPTION	STD. CTN.
WH90	Silver Gray, 5 1/2" Diameter Hood	6

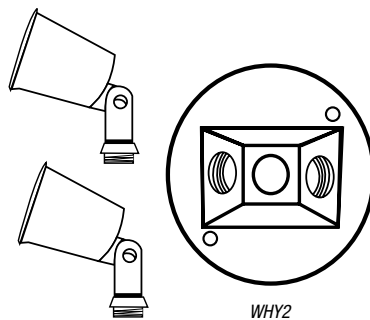
Universal Lampholders

- Heavy-duty die-cast zinc construction
- Supplied with captive lamp sealing gasket
- Current-carrying components are copper or copper-alloy materials and sockets are porcelain
- Factory provided with a 2-wire, 8" prestripped lead
- Swivel arm has grounding boss
- Ground screw supplied

CAT. NO.	DESCRIPTION	COLOR	STD. CTN.
WHG-1	Weathershed Series with Heat-Resistant Sealing Gasket	Silver gray	36
WHUP-1	Inside Gasket and Ground Screw	"Natural" color	36

UL Listed E-42680.

Lampholder Assemblies

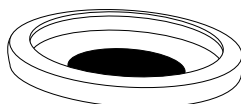


- Heavy-duty die-cast zinc construction
- Powder-coat finish in silver gray
- Completely factory assembled and factory prewired
- Surface mount to any 3" or 4" round outdoor box or flush mount to existing box

CAT. NO.	DESCRIPTION	STD. CTN.
WHY2	Two Silver Lamps, Silver-Gray Cover	5

UL Listed E-42680.

Gasket



CAT. NO.	DESCRIPTION	STD. CTN.
G1	Heat-Resistant Sealing Gasket	100

Adapters

- Heavy-duty die cast construction
- Natural cast finish



CAT. NO.	DESCRIPTION	STD. CTN.
AD11-2	"Y" Adapter — Converts One Outlet to Two — 1/2" Threads	10

UL Listed E-51763.

Weatherproof Metallic Lampholders

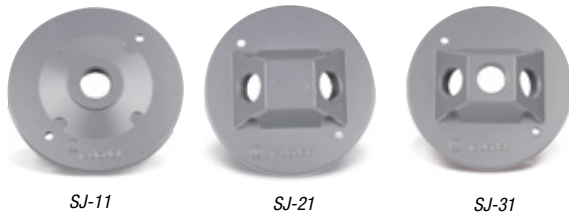
Round Lampholder Covers

Standard Covers



CAT. NO.	COLOR	HUB SIZE (IN.)	DESCRIPTION
Gasket and Screws, 4 1/8" Diameter			
S-1-RD	Silver	1/2	One Tapped Hole
S-12	Silver	3/4	One Tapped Hole
S-3-RD	Silver	1/2	Three Tapped Holes
D-PAK®			
DSS-1	Silver	1/2	One Tapped Hole
DSS-1-BR	Bronze	1/2	One Tapped Hole
DSS-1-WH	White	1/2	One Tapped Hole
DSS-3	Silver	1/2	Three Tapped Holes
DSS-3-BR	Bronze	1/2	Three Tapped Holes
DSS-3-WH	White	1/2	Three Tapped Holes
S621E	—	—	Universal Gasket

Jumbo Covers



CAT. NO.	COLOR	HUB SIZE (IN.)	DESCRIPTION
Gasket and Screws, 4 1/2" Diameter			
SJ-11	Silver	1/2	One Tapped Hole
SJ-21	Silver	1/2	Two Tapped Holes
SJ-31	Silver	1/2	Three Tapped Holes

Note: Boxes are raintight when used with appropriate Red•Dot® boxes.
All covers packed with gasket and screws.

Single-Gang Lampholder Covers



CAT. NO.	CAT. NO.	COLOR	SIZE (IN.)	DESCRIPTION
STANDARD		JUMBO		
(2 3/16" X 4 1/2")		(3 1/8" X 5 1/8")		
LC-11	LF11	—	1/2	One-Hole Device Mount
LC-21	—	—	1/2	Two-Hole Device Mount
LC-31	LF31	—	1/2	Three-Hole Device Mount
D-PAK®				
DLC-31	—	Silver	1/2	Three-Hole Device Mount
DLC-31-BR	—	Bronze	1/2	Three-Hole Device Mount
DLC-31-WH	—	White	1/2	Three-Hole Device Mount



Request Info

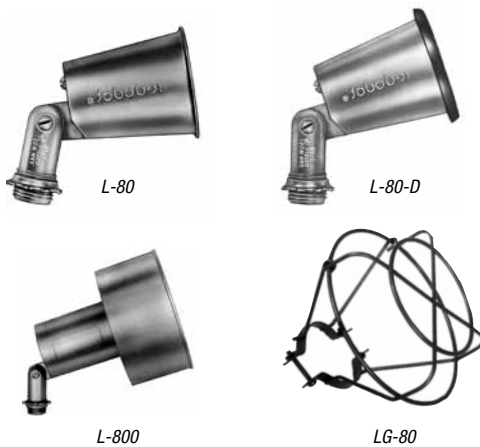


1-800-453-1692

www.aboveboardelectronics.com

Weatherproof Metallic Lampholders

Lampholders, Die-Cast Zinc Zamak 3



CAT. NO.	COLOR	LAMP MAX.	DESCRIPTION
Standard			
L-80	Silver	150W • PAR 38 or R40	Inside Gasket and Ground Screw
WHUP-1	Natural	150W • PAR 38 or R40	Inside Gasket and Ground Screw
D-PAK®			
DL-80	Silver	—	—
DL-80-BR	Bronze	—	—
DL-80-WH	White	—	—
Gasketed			
L-80-D	Silver	150W • PAR 38 or R40	Heavy-Duty Slip-On Gasket and Ground Screw
Deep-Shielded			
L-800	—	150W • PAR 38 or R40	Inside Gasket and Ground Screw
Wireguard			
LG-80	—	—	Mounts to L-80 Series Lampholder

Decorative Floodlight



CAT. NO.	COLOR	LAMP MAX.	DESCRIPTION
2L80D2	White	150W • PAR 38	Two Lampholders Round Cover, or R40 Inside Ground Screws
D-PAK®			
D2L80S3	Silver	—	—

Spike Lights

Portable Mount

For use with 150-Watt Lamp

- Lampholders are heavy-duty die-cast construction
- Lampholders have powder-coat green finish
- Current-carrying components are copper or copper alloy and sockets are porcelain
- Factory wired

CAT. NO.	DESCRIPTION	STD. CTN.
B660GR	Spike Light with 6' Cord	16

UL Listed E-42680.

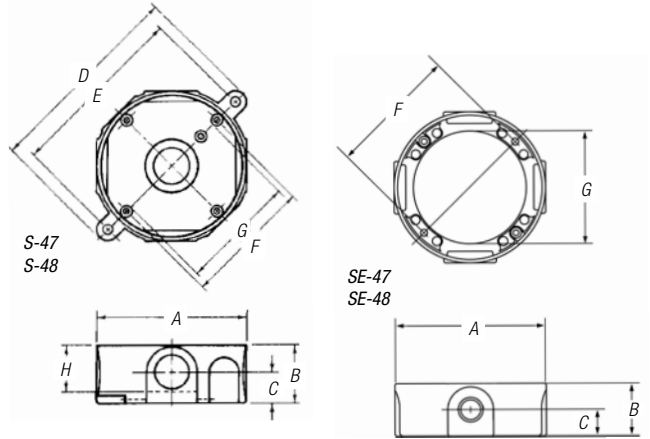
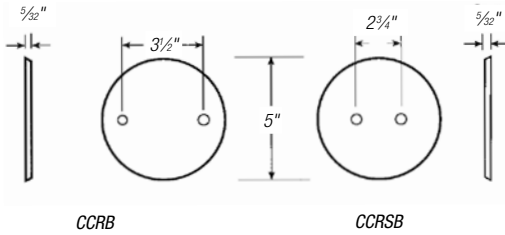
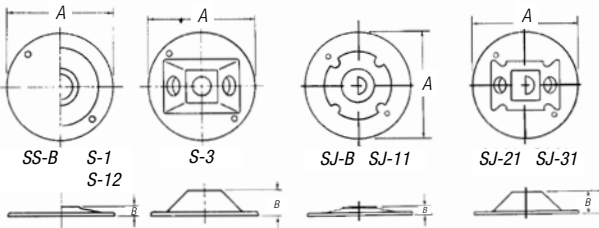
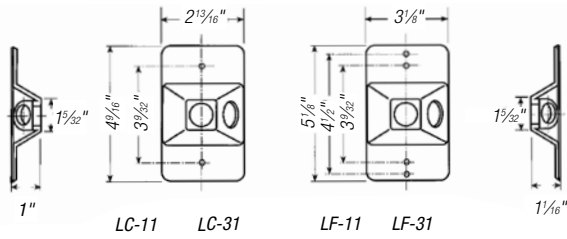
Portable Spotlights



CAT. NO.	COLOR	LAMP MAX.	DESCRIPTION
K702	Silver	150W • PAR 38 or R40	Standard Lampholder, Ground Spike, Wall Bracket, Gasket and Screws
K780	Silver	150W • PAR 38 or R40	Deep-Shielded Lampholder, Ground Spike, Wall Bracket, Gasket and Screws
K780BR	Bronze	150W • PAR 38 or R40	Standard Lampholder, Ground Spike, Wall Bracket, Gasket and Screws

Weatherproof Metallic Lampholders

Dimensions in Inches



CAT. NO.	HUB SIZE	DIMENSIONS (IN.)								
		A	B	C	D	E	F	G	H	CI
S-47	1/2	4 1/8	1 3/8	3/4	5 5/16	4 1/16	3 1/2	3 3/8	1 1/4	16.0
SE-47	1/2	4 1/8	1 3/8	1	—	—	3 1/2	3 3/8	—	18.3
S-48	3/4	4 1/8	1 3/8	7/8	5 5/16	4 1/16	3 1/2	3 3/8	1 1/4	16.0
SE-48	3/4	4 1/8	1 3/8	1 1/16	—	—	3 1/2	3 3/8	—	18.3
SS-B	—	4 1/8	3/64	—	—	—	—	—	—	—
S-1	1/2	4 1/8	3/8	—	—	—	—	—	—	—
S-12	3/4	4 1/8	3/8	—	—	—	—	—	—	—
S-3	1/2	4 1/8	1	—	—	—	—	—	—	—
SJ-B	—	4 1/2	3/8	—	—	—	—	—	—	—
SJ-11	1/2	4 1/2	3/8	—	—	—	—	—	—	—
SJ-21	1/2	4 1/2	1	—	—	—	—	—	—	—
SJ-31	1/2	4 1/2	1	—	—	—	—	—	—	—

Photometrics

Photometrics are strictly a function of the lamp used.

