

## Hazardous Location Fittings

### Aluminum External Hubs

#### Application

- Junction for branch conduits in hazardous locations
- Accessible wiring chamber provides a convenient location to maintain or change a system, pull conductors and make splices
- Unique mounting pads and external hub design ideal for installations of OEM devices or instruments

#### Features

- Copper-free\* aluminum provides increased corrosion resistance
- Precision cast and machined surfaces permit safer wire pulling
- Precision NPT threaded hubs enable trouble-free field installation for rigid or IMC conduit
- Die-cast construction and industrial design combine to produce a rugged protective enclosure for devices on industrial and OEM applications
- Clear UL, CSA and cubic content markings speed approval by inspectors

#### Standard Materials

Die-cast aluminum alloy A360 with less than .004 copper content (copper-free)

#### Standard Finish

Aluminum lacquer finish

#### Listings/Compliances

UL Listed  
 CSA Certified  
 Suitable for hazardous locations  
 NEMA 4 rated when ordered with O-ring installed  
 Federal Spec W-C-586  
 Cl.I, Div. 1 & 2, Groups C, D  
 Cl.II, Div. 1, Groups E, F, G  
 Cl.III, Div. 1 & 2  
 Explosion-Proof  
 Dust-Ignition-Proof  
 Raintight  
 Wet Locations

#### Sample Specifications

Outlet boxes for hazardous locations shall be die-cast copper-free\* aluminum alloy A360 and suitable for use in Class I, Groups C, D, Class II, Groups E, F, G and Class III areas. All conduit stops shall be coined and free of rough edges. Outlet boxes for hazardous locations shall be finished with aluminum lacquer. Outlet boxes shall be Red•Dot® Catalog No. \_\_\_\_\_

\*Less than .004 copper content.



GAX



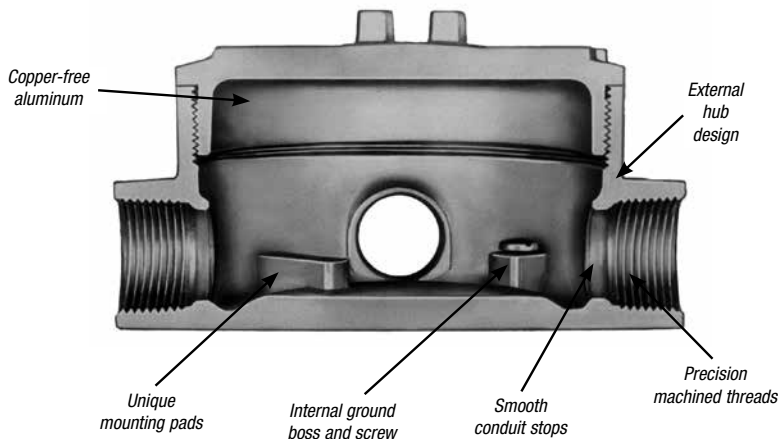
GAFX



GAJU



GASS



## Hazardous Location Fittings

### Aluminum External Hubs with Installed Green Ground Screw

#### Through Feed with Surface Cover

CAT. NO.	HUB SIZE	UNIT QTY.	STD. PKG.	WT. LBS. PER 100
GAC-1•	½"	1	5	115
GAC-2•	¾"	1	5	115
GAC-3•	1"	1	5	115



GAC

#### Dead End with Surface Cover

CAT. NO.	HUB SIZE	UNIT QTY.	STD. PKG.	WT. LBS. PER 100
GAE-2•	¾"	1	5	110



GAE

#### L Style with Surface Cover

CAT. NO.	HUB SIZE	UNIT QTY.	STD. PKG.	WT. LBS. PER 100
GAL-1	½"	1	5	115
GAL-2•	¾"	1	5	115
GAL-3•	1"	1	5	115
GAL-4•	1¼"	1	5	175
GAL-5•	1½"	1	4	247
GAL-6•	2"	1	4	253



GAL

#### LB Style with Surface Cover

CAT. NO.	HUB SIZE	UNIT QTY.	STD. PKG.	WT. LBS. PER 100
GALB-1•	½"	1	5	115
GALB-2	¾"	1	5	115
GALB-3•	1"	1	5	115
GALB-4•	1¼"	1	2	175
GALB-6•	2"	1	4	253



GALB

#### T Style with Surface Cover

CAT. NO.	HUB SIZE	UNIT QTY.	STD. PKG.	WT. LBS. PER 100
GAT-1•	½"	1	5	120
GAT-2	¾"	1	5	120
GAT-3•	1"	1	5	120
GAT-4	1¼"	1	5	180
GAT-6•	2"	1	1	406



GAT

• Made-to-order items. Consult factory for lead time and minimum quantities.