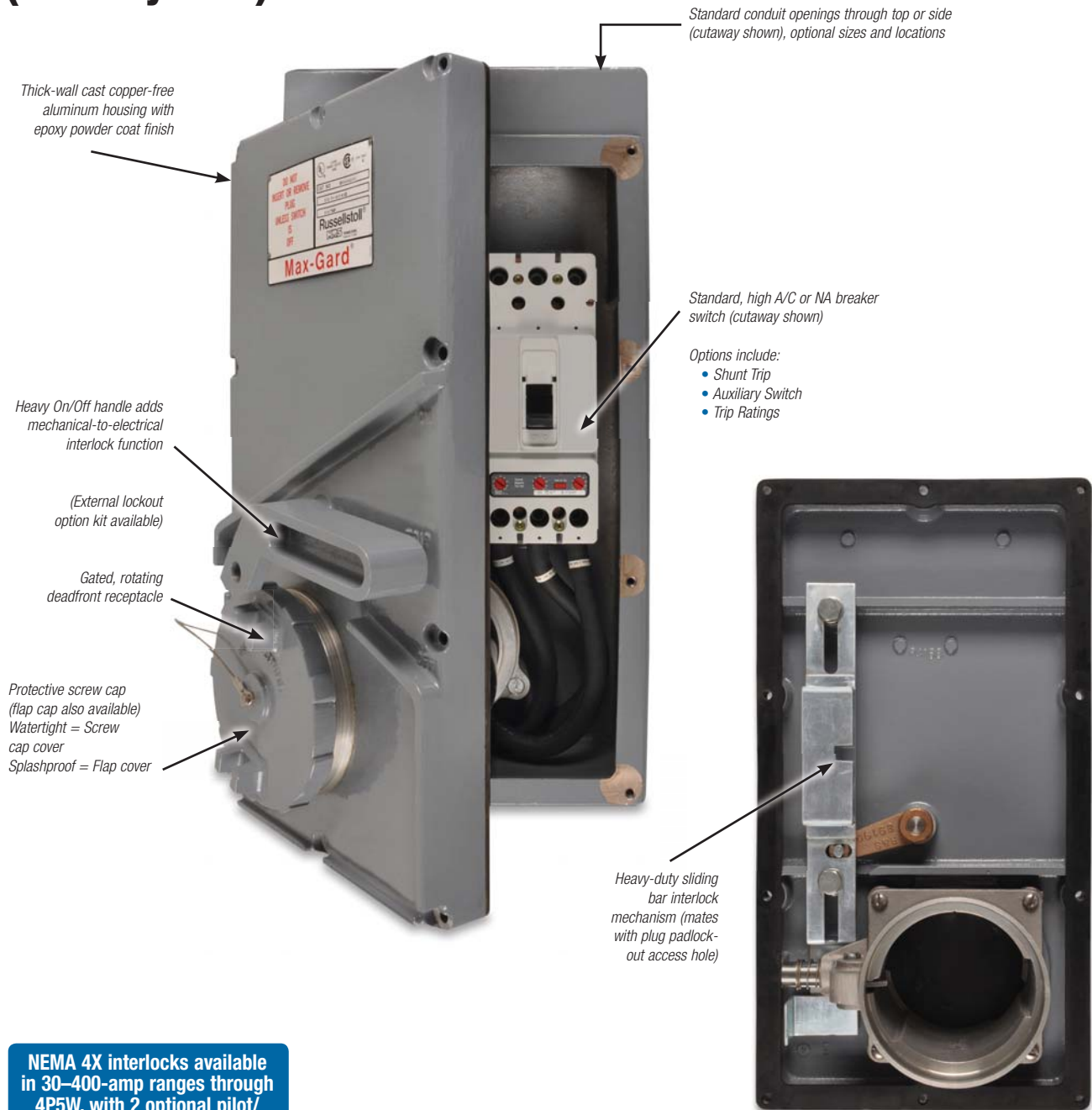


MaxGard® Interconnection Systems

30A–400A (30–200A Load Breaking), Maximum 600VAC/250VDC Receptacles, Inlets, Plugs, Connectors, Interlocked Receptacles, Explosion-Proof Interlocked Receptacles

Cast Aluminum Circuit Breaker Interlocked Receptacle (Cutaway View)

Russellstoll® Pin and Sleeve Power Connectors



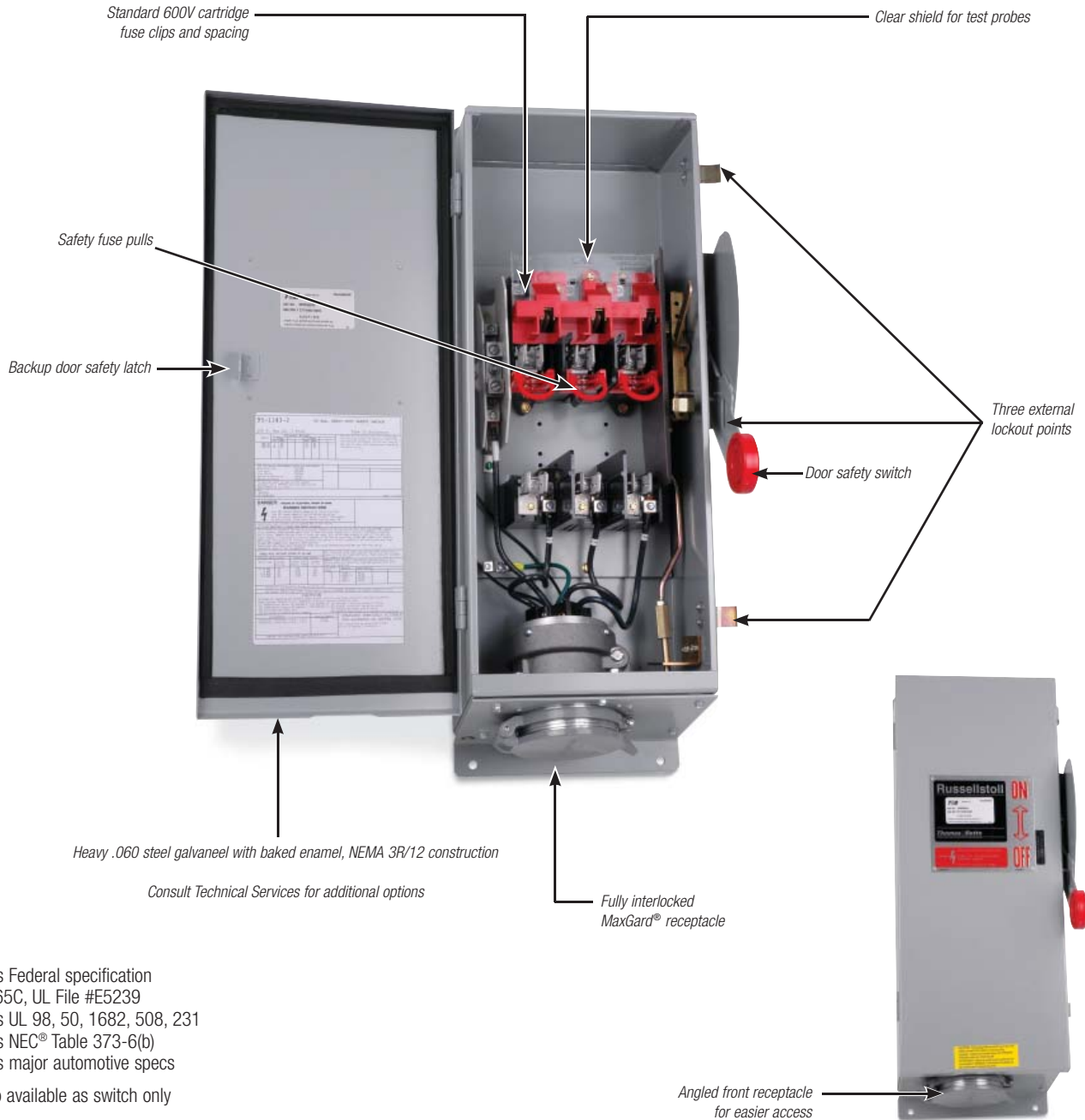
NEMA 4X interlocks available in 30–400-amp ranges through 4P5W, with 2 optional pilot/control contacts.

MaxGard® Interconnection Systems

30A–400A (30–200A Load Breaking), Maximum 600VAC/250VDC
 Receptacles, Inlets, Plugs, Connectors, Interlocked Receptacles, Explosion-Proof Interlocked Receptacles

Fused-Disconnect Switch* Interlocked Receptacle

Available in 30-, 60- and 100-amp sizes, all polarizations through 600VAC.



Meets Federal specification
 WS865C, UL File #E5239
 Meets UL 98, 50, 1682, 508, 231
 Meets NEC® Table 373-6(b)
 Meets major automotive specs

* Also available as switch only

Russellstoll® Pin and Sleeve Power Connectors

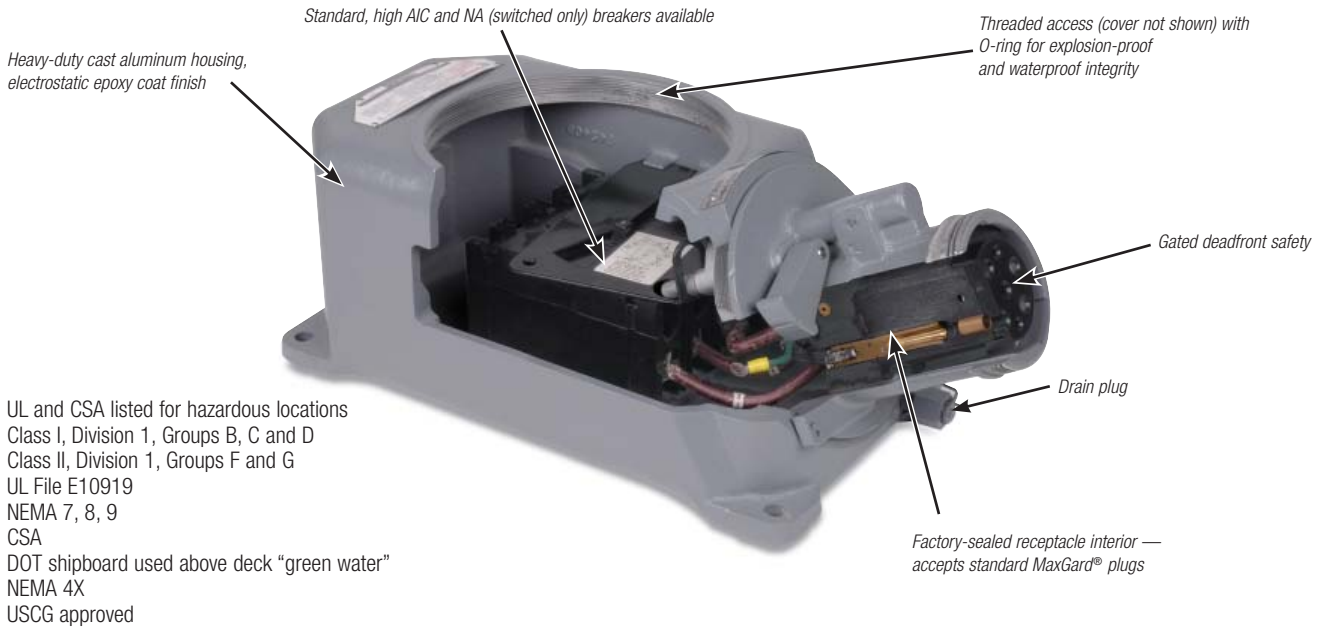
MaxGard® Interconnection Systems

**30A–400A (30–200A Load Breaking), Maximum 600VAC/250VDC
Receptacles, Inlets, Plugs, Connectors, Interlocked Receptacles, Explosion-Proof Interlocked Receptacles**

MaxGard® DBRE and DSRE series interlocks are explosion proof and waterproof (O-ring sealed), along with optional control contacts, and are fully UL® Listed.

Explosion-Proof Waterproof Circuit Breaker Interlocked Receptacle

Available in 30-, 60- and 100-amp sizes, all polarizations.



UL and CSA listed for hazardous locations
Class I, Division 1, Groups B, C and D
Class II, Division 1, Groups F and G
UL File E10919
NEMA 7, 8, 9
CSA
DOT shipboard used above deck "green water"
NEMA 4X
USCG approved

Explosion-Proof Waterproof Non-Interlocked Receptacle

Available in 30A 480VAC max, all polarizations

- Factory-sealed interior (no filled conduits)
- Easy low-cost installation



UL and CSA Listed for hazardous locations
Class I, Division 1, C and D
Class II, Division 1, Groups F and G
UL File E10919
NEMA 7, 8, 9
CSA
DOT shipboard used above deck "green water"
NEMA 4X
USCG approved

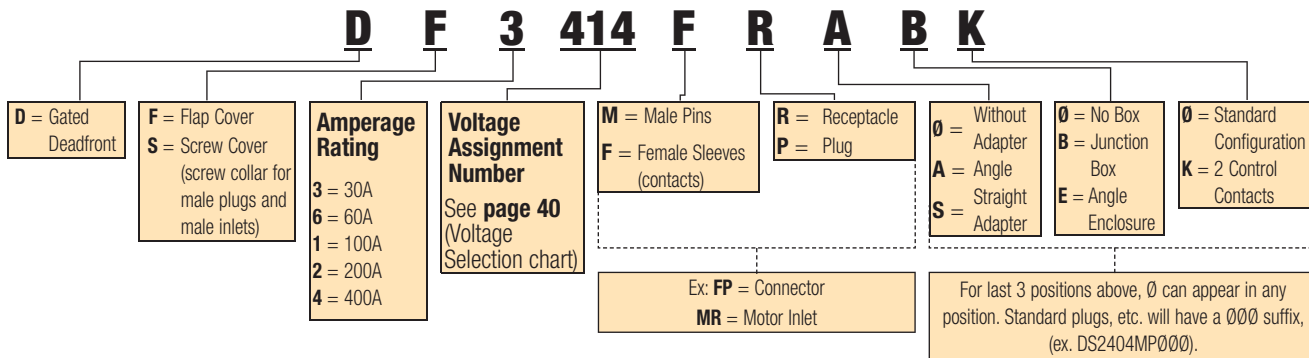
MaxGard® Interconnection Systems

30A–400A Plugs, Connectors, Receptacles, Inlets and Interlocked Receptacles

Russellstoll® Pin and Sleeve Power Connectors

Receptacles, Plugs and Connectors

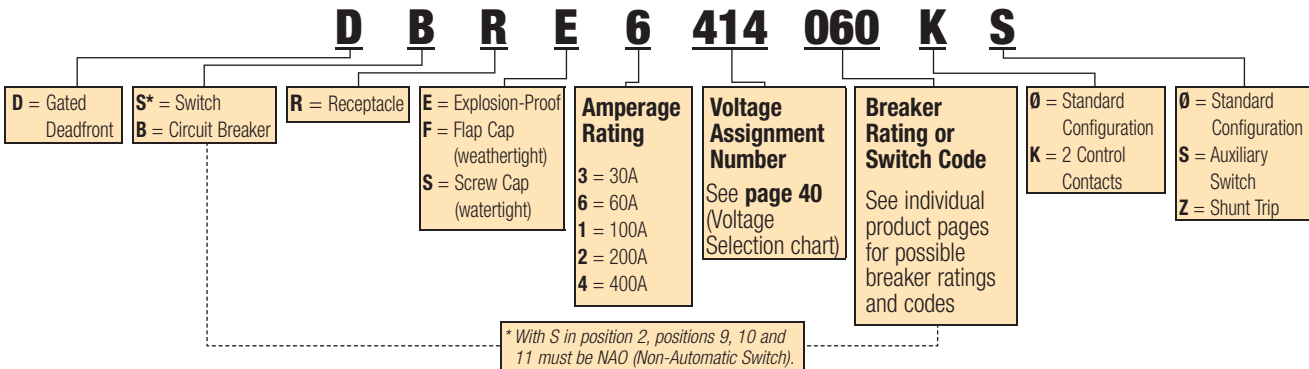
FEATURE	RUSSELLSTOLL MAXGARD®	CROUSE-HINDS ARKTITE®**	APPLETON POWERTITE®***
Center ground contact	Yes	No	No
24 single-rated factory polarizations	Yes	No	No
Gated deadfront construction	Yes	No	No
Two optional control contacts	Yes	No	No
Marine-grade CDA485 brass pins/sleeves (200–400 amp silver-plated)	Yes	No	No
O-rings/environmental separation, full line	Yes	No	No
Available to 5-wire (4-pole, 5-wire)	Yes	30 and 60 amp only	No
Complete line epoxy powder coated — standard	Yes	No	Some



Interlocked Receptacles

FEATURE	RUSSELLSTOLL DBRE/DSRE SERIES	CROUSE-HINDS EPC SERIES	APPLETON EBR SERIES (WITH FB BREAKER)
Waterproof (DurORing™) O-ring sealing	Yes	No	No
Available to 5-wire (4-pole, 5-wire) through 100 amp	Yes	No	No
Gated deadfront	Yes	No	No
Center ground sleeve contact	Yes	No	No
24 single-rated factory polarizations	Yes	No	No
Class I, Div. 1, Groups B, C, D	Yes	Yes	Yes
Class II, Div. 1, Groups F and G	Yes	Yes	Yes*
Meets Coast Guard (was CG259) approvals	Yes	No	No

* Group F excepting electrically conductive dusts. ** Crouse-Hinds and Arktite are trademarks of Cooper Industries, Inc. *** Appleton and Powertite are trademarks of Appleton Electric Inc.



MaxGard® Interconnection Systems

Russellstoll® Pin and Sleeve Power Connectors



Female Receptacle with Angle Enclosure



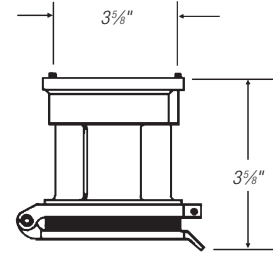
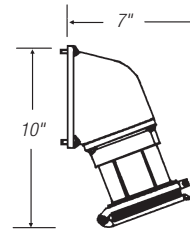
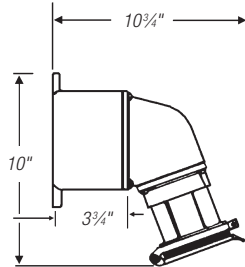
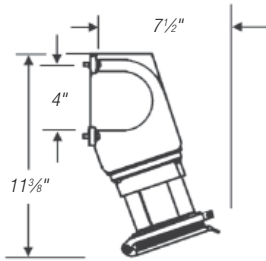
Female Receptacle with Angle Adapter** and Junction Box



Female Receptacle with Angle Adapter**



Female Receptacle

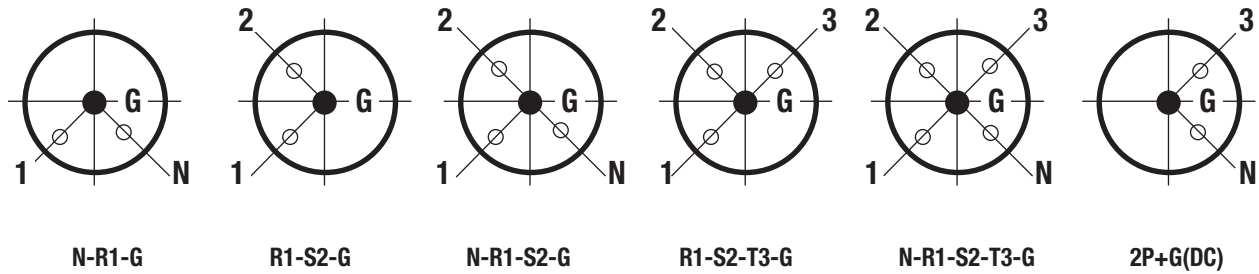


CAT. NO.	CAT. NO.	CAT. NO.	CAT. NO.
DF1104FR0E0	DF1104FRAB0	DF1104FRA00	DF1104FR000
DF1107FR0E0	DF1107FRAB0	DF1107FRA00	DF1107FR000
DF1204FR0E0	DF1204FRAB0	DF1204FRA00	DF1204FR000
DF1207FR0E0	DF1207FRAB0	DF1207FRA00	DF1207FR000
DF1214FR0E0	DF1214FRAB0	DF1214FRA00	DF1214FR000
DF1216FR0E0	DF1216FRAB0	DF1216FRA00	DF1216FR000
DF1304FR0E0	DF1304FRAB0	DF1304FRA00	DF1304FR000
DF1307FR0E0	DF1307FRAB0	DF1307FRA00	DF1307FR000
DF1316FR0E0	DF1316FRAB0	DF1316FRA00	DF1316FR000
DF1404FR0E0	DF1404FRAB0	DF1404FRA00	DF1404FR000
DF1407FR0E0	DF1407FRAB0	DF1407FRA00	DF1407FR000
DF1414FR0E0	DF1414FRAB0	DF1414FRA00	DF1414FR000
DF1416FR0E0	DF1416FRAB0	DF1416FRA00	DF1416FR000
DF1421FR0E0	DF1421FRAB0	DF1421FRA00	DF1421FR000
DF1504FR0E0	DF1504FRAB0	DF1504FRA00	DF1504FR000
DF1514FR0E0	DF1514FRAB0	DF1514FRA00	DF1514FR000
DF1516FR0E0	DF1516FRAB0	DF1516FRA00	DF1516FR000
DF1521FR0E0	DF1521FRAB0	DF1521FRA00	DF1521FR000

MaxGard® Interconnection Systems

Single Polarization/Multiple Service* Assigned Voltages and Wiring Systems

Russellstoll® Pin and Sleeve Power Connectors



VOLTAGE ASSIGN. NO.	VOLTAGE	VOLTAGE ASSIGN. NO.	VOLTAGE	VOLTAGE ASSIGN. NO.	VOLTAGE	VOLTAGE ASSIGN. NO.	VOLTAGE	VOLTAGE ASSIGN. NO.	VOLTAGE	VOLTAGE ASSIGN. NO.	VOLTAGE	INDEX
101	220V-50 Hz	201	380V-50 Hz	301	220/380V-50 Hz	401	380V-50 Hz	501	220/380V-50 Hz			01
103	127V-50 Hz	203	220V-50 Hz	303	220/127V-50 Hz	403	220V-50 Hz	503	220/127V-50 Hz			03
104	277V-60 Hz	204	480V-60 Hz	304	277/480V-60 Hz	404	3Ø 480V-60 Hz	504	3ØY 277/480V-60 Hz			04
105	250V-50 Hz	205	440V-50 Hz	305	250/440V-50 Hz	405	3Ø 440V-50 Hz	505	3Ø 250/440V-50 Hz			05
107	125V-60 Hz	207	250V-60 Hz	307	125/250V-60 Hz	407	3Ø 250V-60 Hz	507	3ØY 125/250V-60 Hz			07
108	220V-60 Hz	208	380V-60 Hz	308	220/380V-60 Hz	408	3Ø 380V-60 Hz	508	3Ø 220/380V-60 Hz			08
109	100V-60 Hz	209	220V-60 Hz	309	100/220V-60 Hz	409	3Ø 220V-60 Hz	509	3Ø 100/220V-60 Hz			09
111	115V-400 Hz	211	220V-400 Hz	311	220/115V-400 Hz	411	220V-400 Hz	511	220/115V-400 Hz			11
—	—	—	—	—	—	—	—	513	230V DC	613	250 VDC	13
114	347V-60 Hz	214	600V-60 Hz	314	347/600V-60 Hz	414	3Ø 600V-60 Hz	514	3ØY 347/600V-60 Hz			14
115	100V-50 Hz	215	220V-50 Hz	315	100/220V-50 Hz	415	3Ø 220V-50 Hz	515	3Ø 100/220V-50 Hz			15
116	120V-60 Hz	216	208V-60 Hz	316	120/208V-60 Hz	416	3Ø 208V-60 Hz	516	3ØY 120/208V-60 Hz			16
117	120V-400 Hz	217	208V-400 Hz	317	120/208V-400 Hz	417	3Ø 208V-400 Hz	517	3Ø 120/208V-400 Hz			17
—	—	—	—	—	—	—	208V	—	—	618	28 VDC	18
—	—	221	440V-60 Hz	321	250/440V-60 Hz	421	3Ø 440V-60 Hz	521	3ØY 250/440V-60 Hz			21
—	—	—	—	—	—	—	250V	Reserved	—	—	—	22
—	—	—	—	—	—	—	480V	Reserved	—	—	—	23
—	—	—	—	—	—	—	600V	Reserved	—	—	—	24

MaxGard® receptacles and plugs may be furnished in any of the above voltage and phasing systems.

To order any device in a voltage and phasing not shown in the preceding catalog pages, substitute the Voltage Assignment Number in the **above** chart for that portion of the listed catalog number appearing in **boldface** type.

Example: 200 Amp Weathertight Receptacle with Flap Cover, Angle Adapter and Junction Box for 3Ø 480 volt (3-pole and ground) is DF2404FRAB0.

To change to 3Ø 208 volt, the catalog number becomes DF2416FRAB0.

Note: All devices may be furnished with two control contacts. Add "K" to the end of the catalog number, in place of last position Ø.

*** Dual-Voltage or Multiple-Service Applications** (for any given polarization number) — Example: A factory installation may consist of all receptacles specified and wired at polarization 507. This is a 3-phase, Y-125/250V-60 Hz supply. However, all circuit requirements "below" 507 ie 407,307,207 and 107 can also all be met. For instance, a 207 plug can draw power from a 507 receptacle. See chart **above**.

For non-interrupting polarizations at 45, 90, 150, 300, 600A ratings, consult Technical Services.