



**Ring Terminal
T&B Catalog Number:**

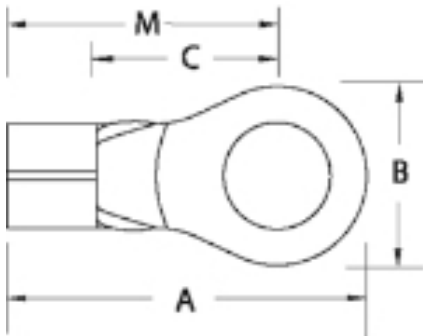
BC14-14
78621080131
Active

**UPC Number:
Status:
Description:**

Non-Insulated Heavy Duty Ring Terminal, Length .93 Inches, Width .51 Inches, Bolt Hole 1/4 Inch, Wire Range #16-#14 AWG Heavy Duty, Copper, Tin Plated

Features

These non-insulated ring terminals are made of electrolytic copper for high conductivity. They can be installed with crimping tools having a single indenter or double indenter (recommended for solid wire). Serrated barrel increases grip on wire.



General

| | |
|-----------------|---------------------|
| Insulation Type | Non-Insulated |
| Terminal Series | BC |
| Material | Copper |
| Finish | Electro -Tin Plated |
| Color | Metallic |
| Wire Range | heavy duty 16-14 |
| Stud Size | 1/4 |

Dimension Information

| | |
|-----------------|-----|
| Stock Thickness | .05 |
| A (inches) | .93 |
| B (inches) | .51 |
| C (inches) | .29 |
| M (inches) | .68 |

Specifications

| | |
|---------------------|-----------|
| Temperature Rating | 150°C |
| Voltage Rating | 600V |
| Flammability Rating | UL 94 V-0 |

Tooling

| | |
|-------------------|---|
| Tool Charts | Available on Website |
| Application Tools | WT110M, WT111M, WT112M, WT2000, ERG4002 |
| Recommended Tool | ERG4002, ERG4005 |

Packaging

| | |
|-----------------------|--------------------|
| T&B Order Multiple | 50 |
| T&B Inner Pack | 50 |
| Package in Units | 250 |
| Package Type | Standard |
| T&B Sold in UOM | Each |
| T&B Weight Per UOM | 6.25 lbs. per 1000 |
| Alternate Package Qty | BC71 |

Application Support

| | |
|-------------------|----------------------|
| Overview | Available on Website |
| Wire Guide Tables | Available on Website |

Certifications

| | |
|-----------------|-----|
| RoHS Compliance | Yes |
|-----------------|-----|

Certifications



File Nbr:
E9809

For further technical assistance, please contact us...

Thomas & Betts - USA
8155 T&B Blvd.
Memphis, TN 38125
www.tnb.com

T&B Technical Support
MS 3B-50
8155 T&B Blvd.
Memphis, TN 38125

Hours: 7AM - 6PM CDT
Monday-Friday
Phone: (888) 862-3289
Fax: (901) 252-1321
Email: techsupport@tnb.com