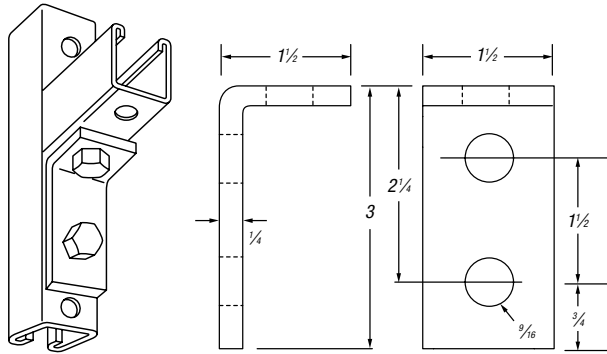


Channels, Nuts and Fittings

B-915 Two-Hole Angle Connector

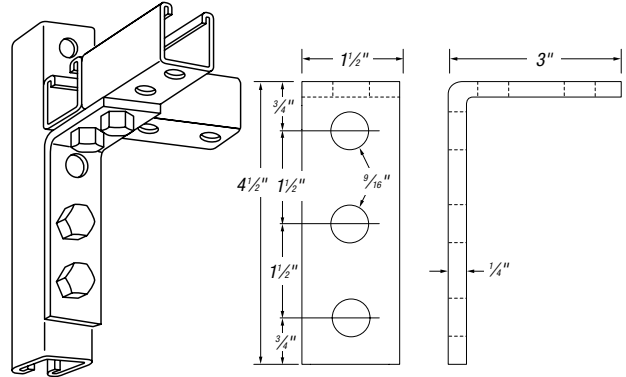


Can also be used as side-beam connector to suspend 1/2" hanger rod.

CAT. NO.	FINISH
B 915	Galv-Krom®
B-915EG	Electro-Galvanized
B-915HD	Hot-Dipped Galvanized

1/4" steel. 39 lbs./C.

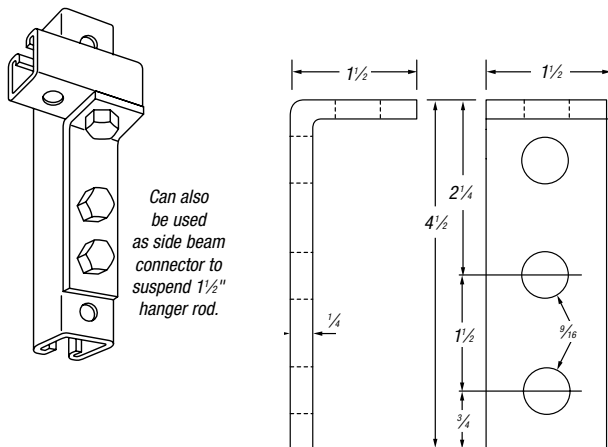
B-917 Five-Hole Angle Connector



CAT. NO.	FINISH
B 917	Galv-Krom®
B-917EG	Electro-Galvanized
B-917HD	Hot-Dipped Galvanized

1/4" steel. 68 lbs./C.

B-916 Three-Hole Angle Connector

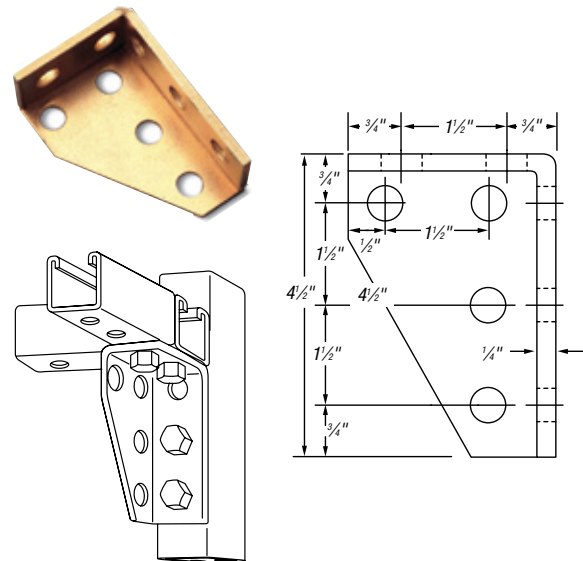


Can also be used as side beam connector to suspend 1 1/2" hanger rod.

CAT. NO.	FINISH
B 916	Galv-Krom®
B-916HD	Hot-dipped galvanized

1/4" steel. 46 lbs./C.

B-918 Left-Hand Gusset Connector



CAT. NO.	FINISH
B 918	Galv-Krom®
B-918EG	Electro-Galvanized

12 Ga. and 1/4" steel. 102 lbs./C.